

G50FFL

Visaton 50 mm (2") High-End fabric dome driver (1176)

[BACK](#)

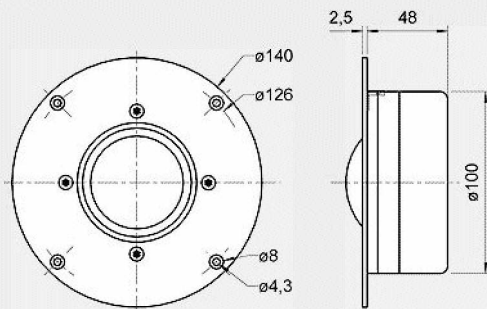


Fabric dome driver

50 mm (2") High-End fabric dome driver for the midrange band between 800 - 7000 Hz. Due to the optimised dome shape with double coating in conjunction with the highly damped surround, linear frequency response and no partial oscillations. Due to the powerful magnetic drive and the ferrofluid-cooled voice-coil high efficiency and high power handling can be guaranteed.

Technical Data:

Nominal power handling with high pass	120 Watt (12 dB/Okt.; 800 Hz)
Peak power handling with high pass	180 Watt (12 dB/Okt.; 800 Hz)
Nominal impedance	8 Ohm
Frequency response (-10 dB)	400 - 10000 Hz
Mean sound pressure level	90 dB (1W/1m)
Resonance frequency fs	700 Hz
Magnetic induction	1,4 Tesla
Magnetic flux	880 μ Weber
Voice coil diameter	5 cm
Cutout diameter	106 mm
Net weight	1,26 kg
D.C. resistance Rdc	6 Ohm
Mechanical Q factor Qms	1
Electrical Q factor Qes	2,28
Total Q factor Qts	0,7
Effective piston area Sd	20 cm ²
Dynamically moved mass Mms	1,2 g
Inductance of the voice coil L	0,16 mH



G 50 FFL
08.01.01

drawing

