

# FULL RANGE LOUDSPEAKER GD 7-16/10/2

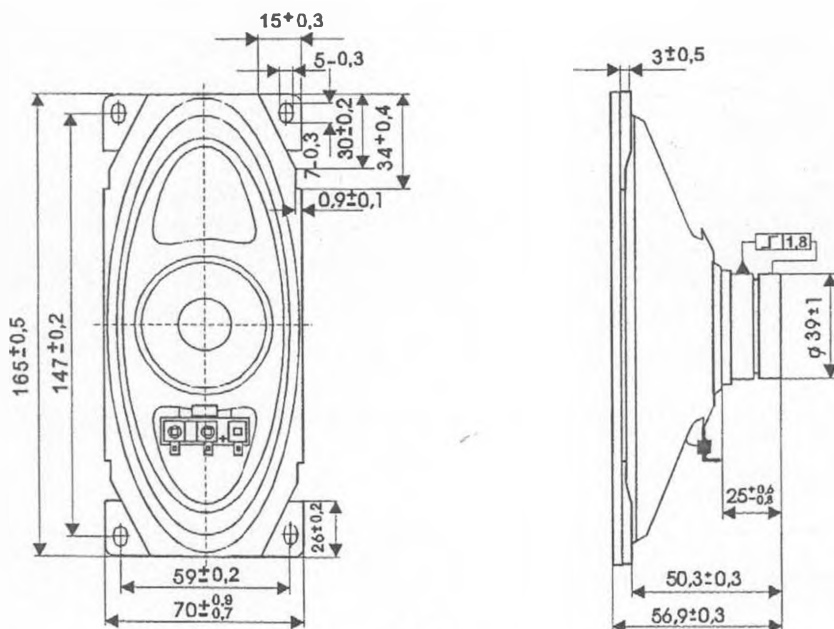
9 5111 030

## TECHNICAL DATA

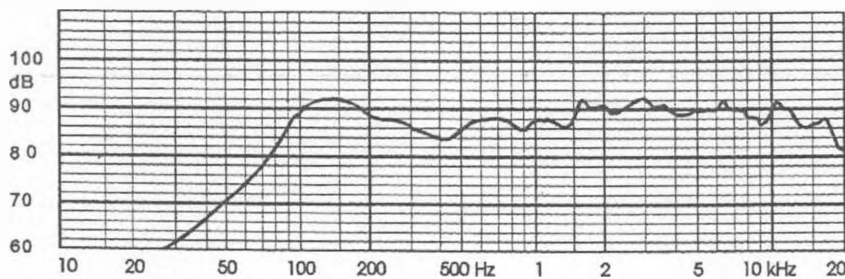
Rated impedance	4	8	Ω
Voice coil resistance	3,4	6,4	Ω
Rated frequency range	100 to 15000		Hz
Resonance frequency	110		Hz
Power handling capacity / loudspeaker unmounted , 100 h continuous /	10		W
Max. power	15		W
Sensitivity	86		dB
Flux density	0,72		T
Energy in air gap	35,12		mJ
Air - gap	14/4/0,91		mm
Voice coil height	4,5	5,1	mm
Magnet			
- material	ferrite		
- dimensions	2x39/22,5/9		mm
- mass	2x0,036		kg
Mass of loudspeaker	0,32		kg

## AVAILABLE VERSIONS

- GD 7-16/10 - 4Ω, catalogue number 9 5111 030 26
- GD 7-16/10 - 8Ω, catalogue number 9 5111 030



Rys.1



FREQUENCY RESPONSE CURVE  
Measured in anechoic room at 1W/1m. Loudspeaker mounted on IEC baffle.