

FULL RANGE LOUDSPEAKER GDC 10/20 /1

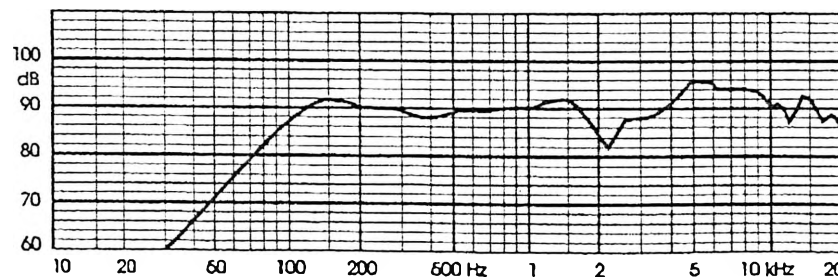
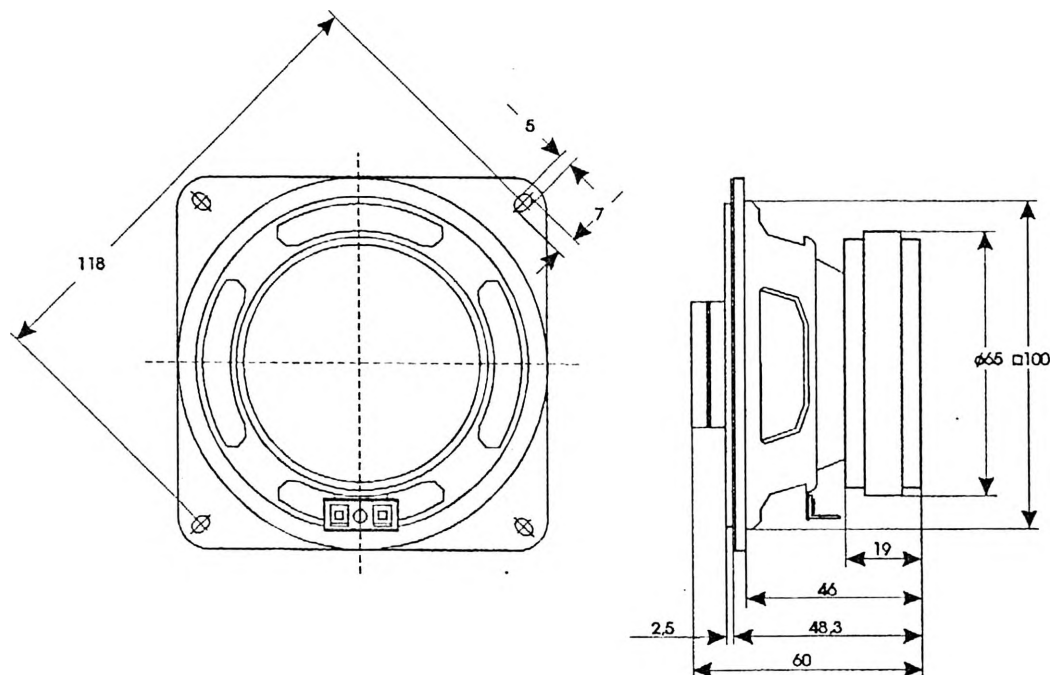
9 5157 080

TECHNICAL DATA

| | |
|--|-----------------|
| Rated impedance | 4 Ω |
| Voice coil resistance | 3,5 Ω |
| Rated frequency range | 100 to 20000 Hz |
| Resonance frequency | 130 Hz |
| Recommended crossover frequency | |
| Power handling capacity, P1/P2 measured with filter | 20 W |
| Max. power | 40 W |
| Sensitivity | 89 dB |
| Flux density | 0,8 T |
| Energy in air gap | 69 mJ |
| Air - gap | 20/4,6/0,9 mm |
| Voice coil height | 8,5 mm |
| Magnet | |
| - material | ferrite |
| - dimensions | 65/32/10 mm |
| - mass | 0,126 kg |
| Mass of loudspeaker | 0,50 kg |

AVAILABLE VERSIONS

- GDC 10/20 - 4 Ω , catalogue number 9 5157 080 01-03
- GDC 10/20/1 - 4 Ω , catalogue number 9 5157 080 04 - 06



FREQUENCY RESPONSE CURVE

Measured in anechoic room at 1W/1m. Loudspeaker mounted on IEC baffle.