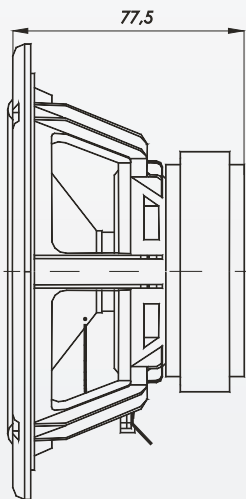
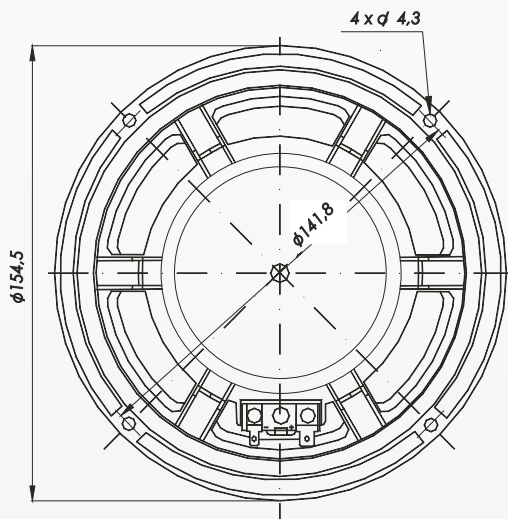


WOOFER GDN 15/40/4

TECHNICAL DATA

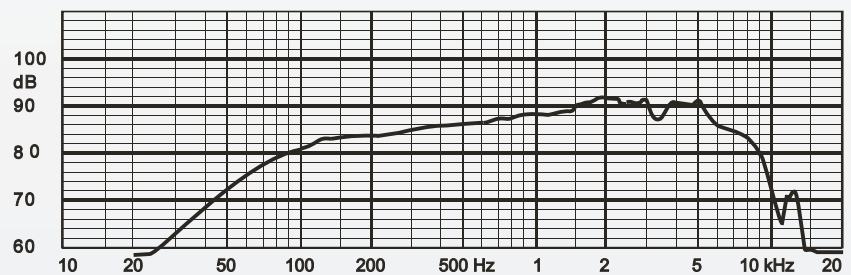
Rated impedance	8	W
Voice coil resistance	6,5	W
Voice coil inductance	0,595	mH@1K
Rated frequency range	90 to 5000	Hz
Resonance frequency	48	Hz
Power handling capacity	/ enclosure 9 dm ³ , 100 h continuous /	
Max. power	40	W
Sensitivity	80	W
Flux density	88	dB
Energy in air gap	1,04	T
Force factor - Bl	206	mJ
Piston area - S _D	7,3	Tm
Total moving mass - M _{MS}	1,16 x 10 ⁻²	m ²
Compliance /loudspeaker unmounted/ - C _{MS}	0,011	kg
Equivalent box volume - V _{AS}	1,07 x 10 ⁻³	m ³
Quality factor /loudspeaker unmounted/	0,020	m ³
- mechanical - Q _{MS}	3,85	
- electrical - Q _{ES}	0,375	
- total - Q _{TS}	0,34	
Air - gap	25/5,2/1,125	mm
Voice coil height l	12	mm
Magnet		
- material	ferrite	
- dimensions	83/31/15	mm
- mass	0,35	kg
Mass of loudspeaker	0,86	kg



The loudspeaker has a polypropylene cone, a rubber surround and a plastic frame .

AVAILABLE VERSIONS

- GDN 15/40/4 - 8 W , catalogue number 9 5151 287 05
- Kapton voice coil former, black cone, plastic dust cap, anthracite frame.



FREQUENCY RESPONSE CURVE

Measured in anechoic room at 1W/1 m. Loudspeaker mounted in sealed 9 dm enclosure.