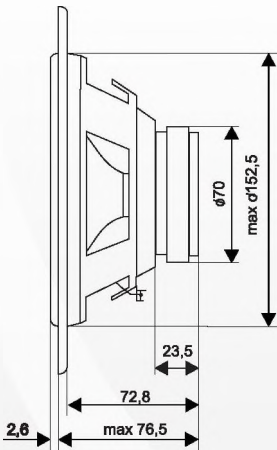
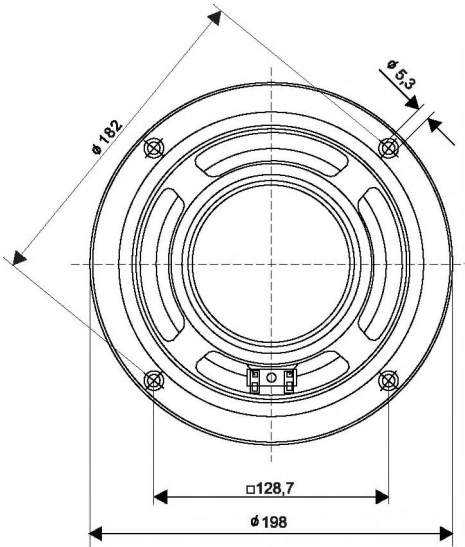


WOOFER GDN 16/50/20



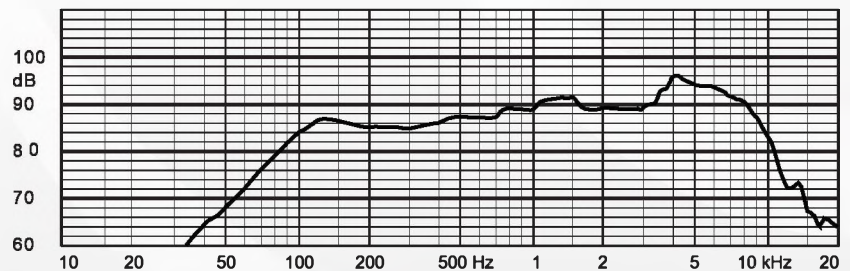
TECHNICAL DATA

Rated impedance	15	Ω
Voice coil resistance	13,3	Ω
Voice coil inductance	0,77	mH@1kHz
Rated frequency range	100 to 5000	Hz
Resonance frequency	52	Hz
Power handling capacity / enclosure 9 dm ³ ; 100 h continuous /	35	W
Max. power	70	W
Sensitivity	88	dB
Flux density	1,0	T
Energy in air gap	160	mJ
Force factor - Bl	6,2	Tm
Piston area - S _D	0,0153	m ²
Total moving mass - MMS	0,0117	kg
Compliance /loudspeaker unmounted/ - C _{MS}	0,80 x 10 ⁻³	m/N
Equivalent box volume - VAS	0,026	m ³
Quality factor /loudspeaker unmounted/		
- mechanical - Q _{MS}	2,5	
- electrical - Q _{ES}	1,25	
- total - Q _{TS}	0,83	
Air - gap	25/4/1,125	mm
Voice coil height	10	mm
Magnet		
- material	ferrite	
- dimensions	70/32/15	mm
- mass	0,23	kg
Mass of loudspeaker	0,85	kg

The loudspeaker has a paper cone and a foam surround.

AVAILABLE VERSIONS

- GDN 16/50/20 - 15 Ω , catalogue number 9 5151 178 08 - silver cone, concave dust cap



FREQUENCY RESPONSE CURVE

Measured in anechoic room at 1W/1m. Loudspeaker mounted in sealed 9 dm³ enclosure.