

FULL RANGE LOUDSPEAKER GDS 30/100

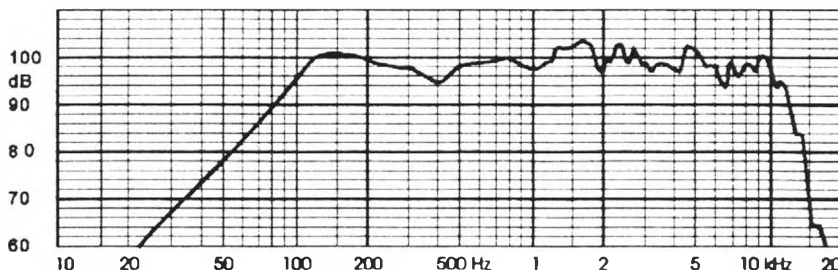
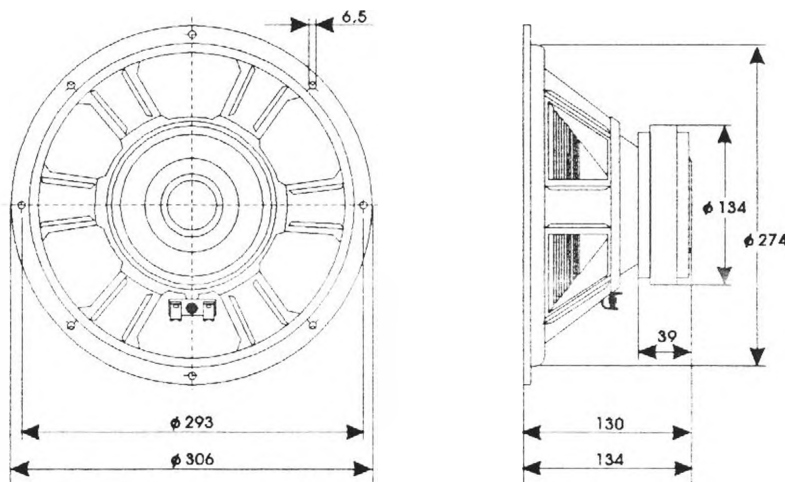
9 5157 105

TECHNICAL DATA

Rated impedance	8	Ω
Voice coil resistance	6,4	Ω
Rated frequency range	60 to 10000	Hz
Resonance frequency	85	Hz
Power handling capacity / loudspeaker unmounted , 100 h continuous /	100	W
Max. power	250	W
Sensitivity	97	dB
Flux density	1,15	T
Energy in air gap	580	mJ
Force factor - Bl	11,3	Tm
Piston area - S_D	0,049	m ²
Total moving mass - M_{MS}	0,034	kg
Compliance /loudspeaker unmounted/ - C_{MS}	$13,2 \times 10^{-5}$	m/N
Equivalent box volume - V_{AS}	0,044	m ³
Quality factor /loudspeaker unmounted/		
- mechanical - Q_{MS}	3,40	
- electrical - Q_{ES}	0,82	
- total - Q_{TS}	0,66	
Alr - gap	35/8/1,2	mm
Voice coil height	12,3	mm
Magnet		
- material	ferrite	
- dimensions	134/59/19	mm
- mass	1,1	kg
Mass of loudspeaker	3,7	kg

AVAILABLE VERSIONS

- GDS 30/100 - 8 Ω , catalogue number 9 5157 105 01



FREQUENCY RESPONSE CURVE

Measured in anechoic room at 1W/1m. Loudspeaker mounted on IEC baffle.