

# CONE TWEETER LOUDSPEAKER GDW 7/15

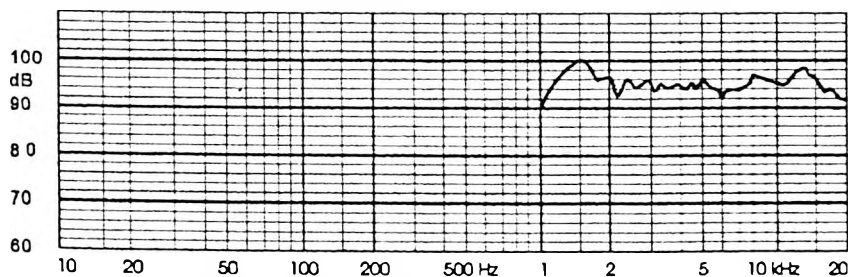
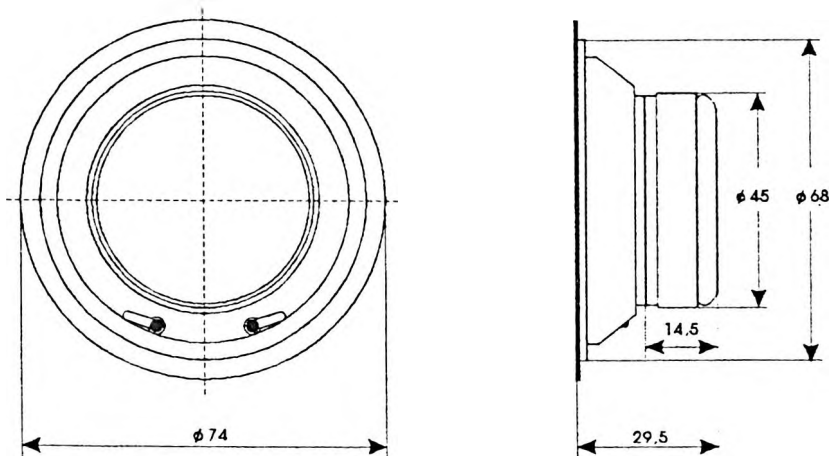
9 5155 014

## TECHNICAL DATA

Rated Impedance	4	8	15	Ω
Voice coil resistance	3,6	6,7	13,7	Ω
Rated frequency range		3 to 20		kHz
Resonance frequency		-		kHz
Recommended crossover frequency		3		kHz
Power handling capacity, P1/P2, measured with filter,		15/0,5		W
Max. power		30/1		W
Sensitivity		94		dB
Flux density		1		T
Energy in air gap		29,8		mJ
Air - gap		13/3/0,6		mm
Voice coil height	2	1,8	2,5	mm
Magnet		ferite		
- material		45/22/8		mm
- dimensions		0,048		kg
- mass		0,18		kg
Mass of loudspeaker				

## AVAILABLE VERSIONS

- GDW 7/15 - 4Ω, catalogue number 9 5155 014 05
- GDW 7/15 - 8Ω, catalogue number 9 5155 014 01
- GDW 7/15 - 15Ω, catalogue number 9 5155 014 09



FREQUENCY RESPONSE CURVE

Measured in anechoic room at 1W/1m. Loudspeaker mounted on IEC baffle.

POLAND - WRZEŚNIA



TONSIL

TEL (061) 4 36 94 14

TLX 0412758

FAX (061) 4 369419