

DOME TWEETER LOUDSPEAKER GDWK 8-13/120

9 5155 092

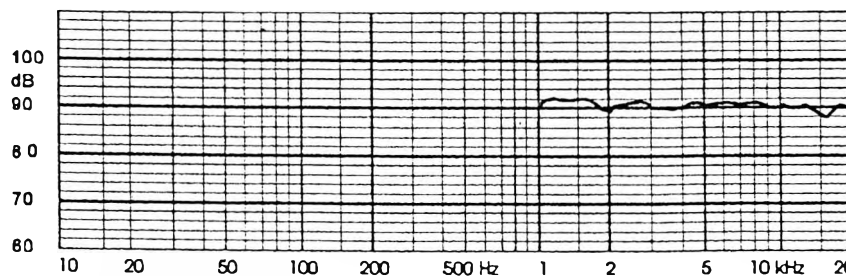
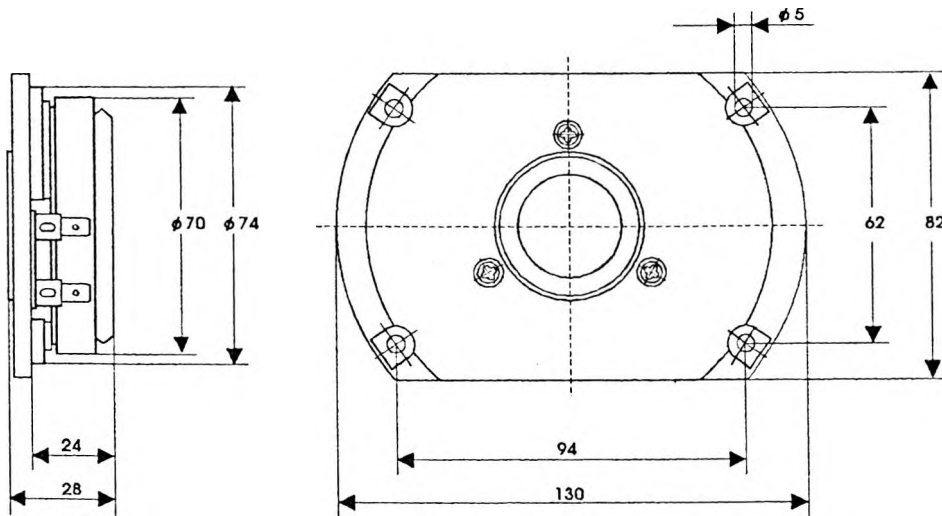
TECHNICAL DATA

Rated impedance	8	Ω
Voice coil resistance	6,3	Ω
Rated frequency range	2,0 to 20	kHz
Resonance frequency	1,2	kHz
Recommended crossover frequency	4,8	kHz
Power handling capacity, P1/P2, measured with filter,	120/6	W
Max. power	160/10	W
Sensitivity	90	dB
Flux density	1,16	T
Energy in air gap	95,6	mJ
Air - gap	25/3/0,745	mm
Voice coil height	1,9	mm
Magnet		
- material	ferrite	
- dimensions	70/32/10	mm
- mass	0,16	kg
Mass of loudspeaker	0,5	kg

Membrane material - polyamide.

AVAILABLE VERSIONS

- GDWK 8-13/120 - 8Ω, catalogue number 9 5155 092 01



FREQUENCY RESPONSE CURVE
Measured in anechoic room at 1W/1m. Loudspeaker mounted
on IEC baffle.