

DOME TWEETER LOUDSPEAKER GDWK 9/80/1

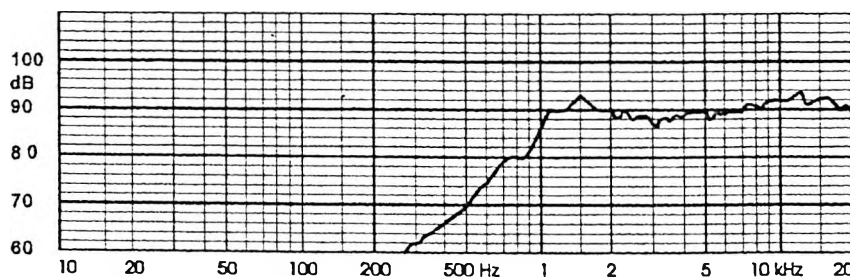
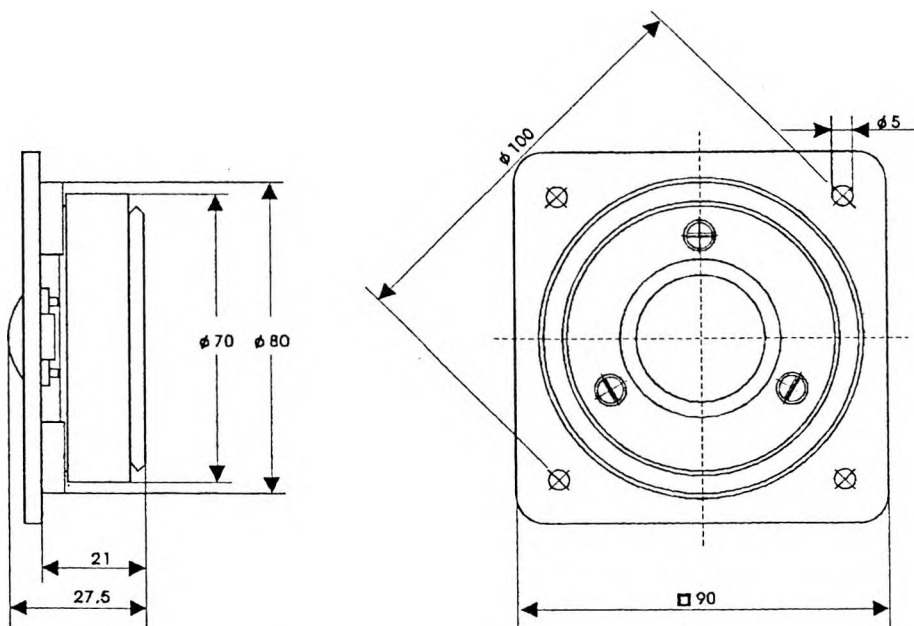
9 5155 006

TECHNICAL DATA

| | | | |
|---|-------------|-------------|-----|
| Rated impedance | 4 | 8 | Ω |
| Voice coil resistance | 2,9 | 6,3 | Ω |
| Rated frequency range | 4 to 20 | | kHz |
| Resonance frequency | 1,1 | | kHz |
| Recommended crossover frequency | 4,8 | | kHz |
| Power handling capacity, P1/P2, measured with filter, | 80/2,5 | | W |
| Max. power | 160/5 | | W |
| Sensitivity | 90 | | dB |
| Flux density | 1,1 | 1,16 | T |
| Energy in air gap | 94,1 | 95,6 | mJ |
| Air - gap | 25/3/0,8/15 | 25/3/0,7/45 | mm |
| Voice coil height | 2,9 | 1,9 | mm |
| Magnet | | | |
| - material | | ferrite | |
| - dimensions | | 70/32/10 | mm |
| - mass | | 0,15 | kg |
| Mass of loudspeaker | | 0,6 | kg |

AVAILABLE VERSIONS

- GDWK 9/80/1 - 4Ω, catalogue number 9 5155 006 09
- GDWK 9/80/1 - 8Ω, catalogue number 9 5155 006 01



FREQUENCY RESPONSE CURVE

Measured in anechoic room at 1W, 1 m. Loudspeaker mounted on IEC baffle.