



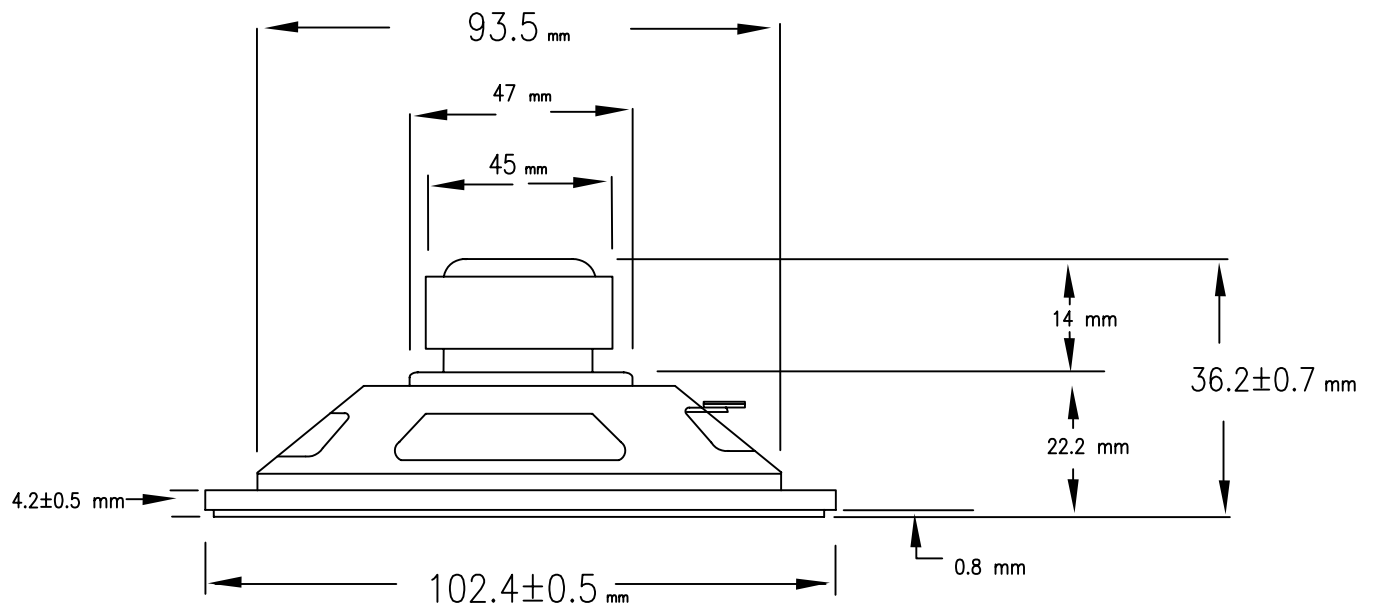
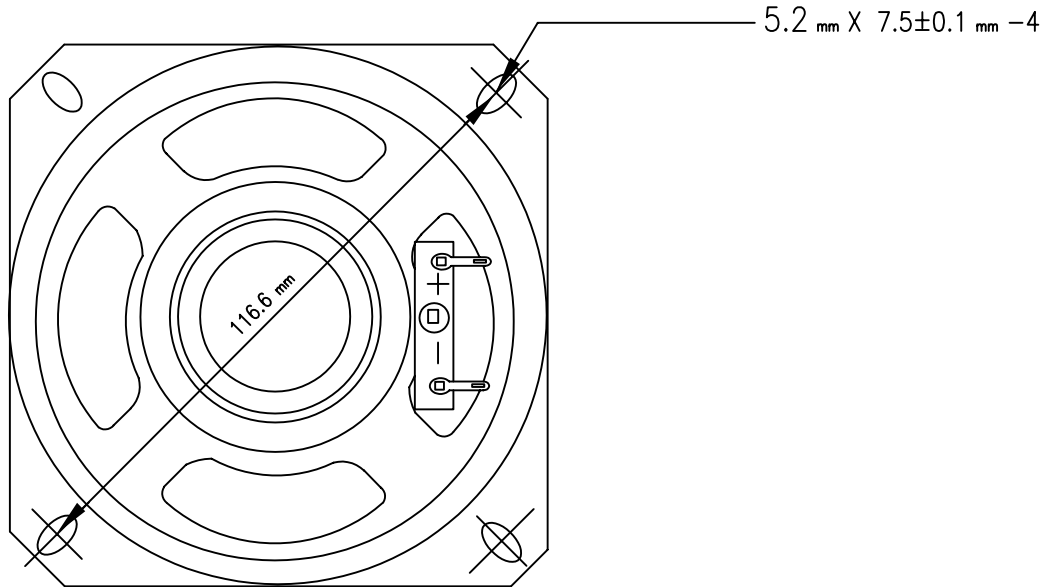
CUI INC

9615 SW Allen, Suite 103
 Beaverton, OR 97005
 Phone: (503) 643-4899
 800-275-4899
 Fax: (503) 372-1266
 Website: www.cui.com

Specifications

1	Part No.	GF1003			
2	Nominal Size	100 mm.	4"	inch	
3	Impedance	8 Ω ± 15%	at 600 Hz.	1 V.	
4	Resonance	160 Hz.± 32 Hz.	FO Hz.	1 V.	
5	S.P. Level	94 dB/w ± 3 dB	1 w. 50 cm. average at		
6	Response	fo Hz.~ 12K Hz.	MAX 10dB	300, 400, 500, 600 Hz.	
7	Crossover Freq.	Hz.	Hz.	dB/OCT	Net work
8	Input Power	Nominal Input	3 w.	Handling Capacity	5 w.
9	Operation	Must be normal at program source			3 w.
10	Buzz, Rattle, etc.	Must be normal at sine wave			4.9 v.
11	Flux Density	Gauss ± 10%			
12	Total Flux	Max well min			
13	Magnet	Size	45 x 22 x 8 mm	gr	oz
14	Total Weight	gr oz			
15	Load Test	After test meet item 9 and 10	White noise	3 W.	48 Hours
16	Distortion	% MAX Hz W.			
17	Heat Test	After test meet item 9 and 10	70±2 ±°C	20-50 %R.H.	48 Hours
18	Humidity Test	After test meet item 9 and 10	40±2 ±°C	90-95 %R.H.	48 Hours

PART NO.	GF1003	UNITS:	mm
DRAWN BY:		PAGE NO:	1 of 2



9615 SW Allen, Suite 103
 Beaverton, OR 97005
 Phone: (503) 643-4899
 800-275-4899
 Fax: (503) 372-1266
 Website: www.cui.com

TITLE:

PART NO.

GF1003

UNITS:

mm

DRAWN BY:

APPROVED BY: