



PART NUMBER: GF1005M

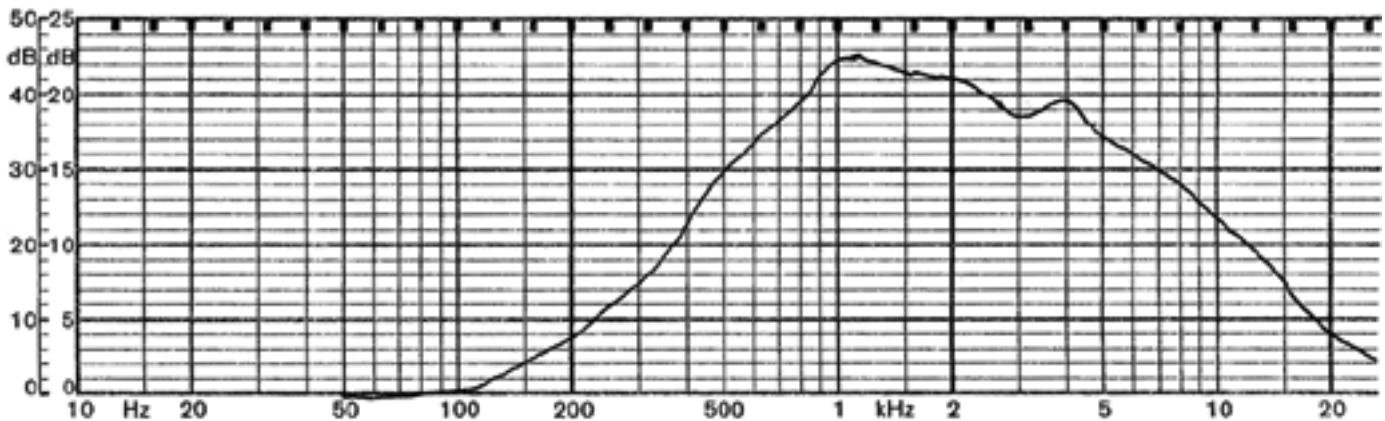
DESCRIPTION: SPEAKER

## SPECIFICATIONS

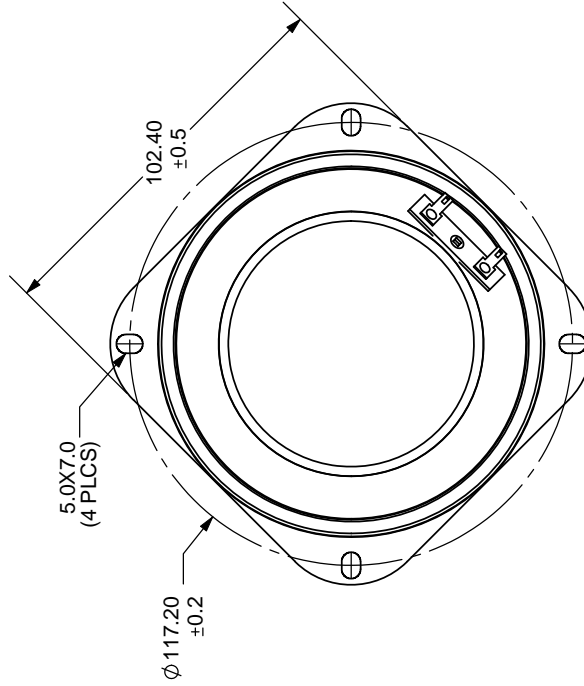
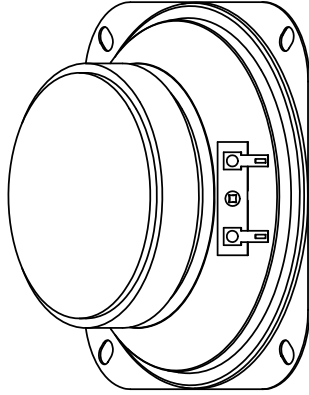
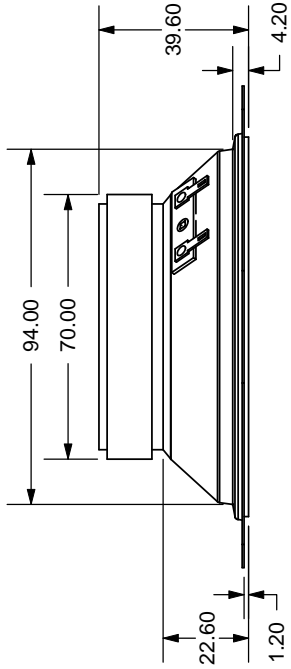
parameter	conditions/description	min	nom	max	units
nominal size	102 mm				
impedance	at 1.5 kHz, 1 V	6.8	8	9.2	$\Omega$
resonant frequency	at 1 V	800	1,000	1,200	Hz
sound pressure level	1 W, 50 cm ave., at 1.5, 2, 2.5, 3k Hz	99	101	103	dB
response	10 dB max.	Fo		5,000	Hz
input power			15	20	W
operation	must be normal at program source		15		W
buzz, rattle, etc.	must be normal at sine wave		10		V dc
magnet	size: 70 x 32 x 10 mm				
load test	48 hours of white noise at		15		W
heat test	20 ~ 50% RH for 48 hours	68	70	72	$^{\circ}\text{C}$
humidity test	90 ~ 95% RH for 48 hours	38	40	42	$^{\circ}\text{C}$
RoHS	yes				

## FREQUENCY RESPONSE CURVE

parameter	conditions/description
potentiometer range	50 dB
rectifier	RMS
lower limit frequency	20 Hz
wr. speed	100 mm/sec
zero level	60 dB



REV.	DESCRIPTION	DATE
A	NEW DRAWING	10/17/2007



TOLERANCE:  
±0.5mm UNLESS OTHERWISE  
SPECIFIED



**CUI INC**

20050 SW 112th Ave.  
Tualatin, OR 97062  
Phone: 503-612-2300  
800-275-4899  
Fax: 503-612-2383  
Website: [www.cui.com](http://www.cui.com)

TITLE: Square frame mylar cone - ferrite magnet	REV: A
PART NO: GF1005M	UNITS: MM [INCHES]
DRAWN BY: ZRJ	APPROVED BY:
	SCALE: 1:2