

5¼" Midrange

Type Number: P13MH00-08

Features:

Driver Highlights: 5½" midrange, alu-chassis, polycone



Specs:

Electrical Data

Nominal impedance	Zn	8	ohm
Minimum impedance	Zmin	--	ohm
Maximum impedance	Zo	--	ohm
DC resistance	Re	5.8	ohm
Voice coil inductance	Le	--	mH

T-S Parameters

Resonance Frequency	fs	60	Hz
Mechanical Q factor	Qms	--	
Electrical Q factor	Qes	--	
Total Q factor	Qts	--	
Force factor	Bl	5.8	Tm
Mechanical resistance	Rms	--	Kg/s
Moving mass	Mms	6.5	g
Suspension compliance	Cms	--	mm/N
Effective cone diameter	D	--	cm
Effective piston area	Sd	86	cm ²
Equivalent volume	Vas	--	ltrs
Sensitivity (2.83V/1m)		89.5	dB

Power handling

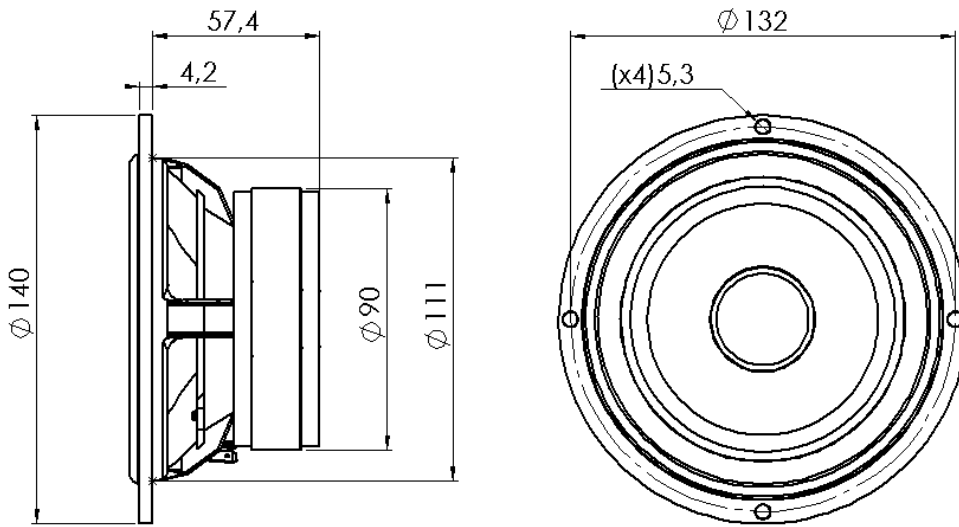
Long-term Max Power (IEC 18.3)	--	W
Max linear SPL (rms) @ power	--	dB/W
Short Term Max power (IEC 18.2)	--	W

Voice Coil and Magnet Parameters

Voice coil diameter	25	mm
Voice coil height	8	mm
Voice coil layers	--	
Height of the gap	6	mm
Flux density of gap	--	mWb
Total useful flux	--	mWb
Diameter of magnet	--	mm
Height of magnet	--	mm
Weight of magnet	0.415	Kg

Notes:
IEC specs refer to IEC 60268-5 third edition.
All Tymphany products are RoHS compliant.

Mechanical Dimensions:P13MH00-08



P13MH-00-08