

TWEETER

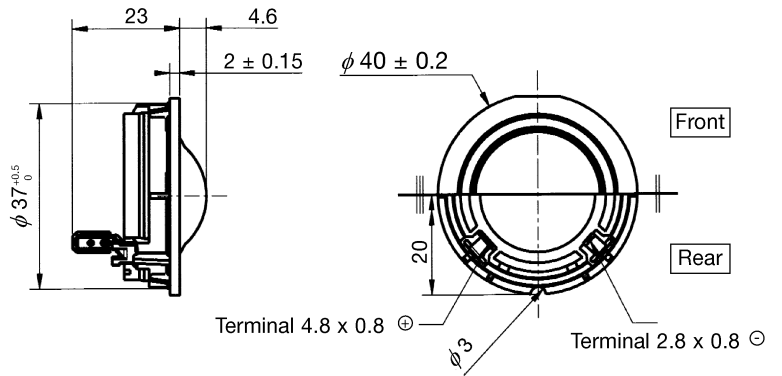
TM025C5 D08IIZ0040
101970R

TM025 . Snap-in . Titanium 8 Ω 25 mm



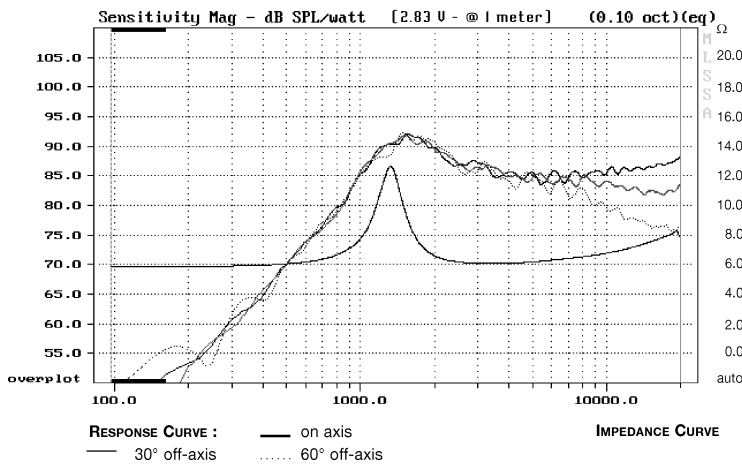
Nov .98

- Profile IV titanium dome for linear response
- Very compact - easy to install for horn-loading to your proprietary front design
- High energy neodymium magnet (20 times ceramic magnet)
- Ultra compact overmoulded design Inherently shielded
- Ferrofluid cooled voice coil (new generation - 250 cps)

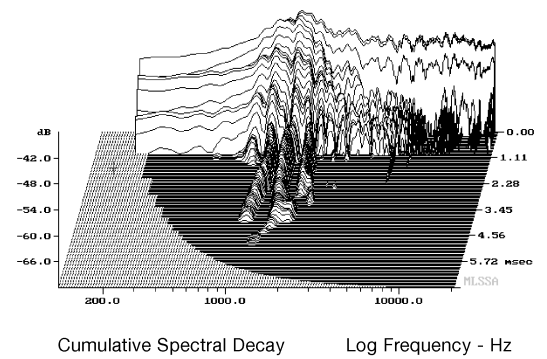


All dimensions in mm

Response Curve



Waterfall



| SPECIFICATIONS | | | |
|----------------------------|--------|-----------|-------|
| Technical characteristics | Symbol | Value | Units |
| PRIMARY APPLICATION | | | |
| Nominal Impedance | Z | 8 | Ω |
| Nominal Power Handling | P | 60 | W |
| VOICE COIL | | | |
| Number of Layers | - | 2 | - |
| Wire type | - | round | - |
| Wire material | - | copper | - |
| Former material | - | Aluminium | - |
| Voice coil winding height | - | 1,7 | mm |
| Voice coil diameter | φ | 25 | mm |

| SPECIFICATIONS | | | |
|-----------------------------|--------|-------|-------|
| Technical characteristics | Symbol | Value | Units |
| PARAMETERS | | | |
| Sensitivity (2,83 V - 1m) | E | 87 | dB |
| Speaker Mass | m | 44 | g |
| MAGNET | | | |
| Magnet dimensions | φ x h | 25x3 | mm |
| Magnetic Induction | B | 1 | T |
| Magnetic Stray Flux | Fmag | - | A/m |
| Gap Height | He | 2 | mm |
| Linear excursion Capability | Xmax | ± | mm |

Suggested Application

| Crossover Frequency | Slope | Inductance | Capacitor | Power Handling |
|---------------------|-----------|------------|-----------|----------------|
| Hz | dB / Oct. | mH | μF | W |
| 7400 | 6 | - | 3,3 | 50 |
| 3360 | 12 | 0,3 | 7,5 | 60 |