

WS25E-8

Visaton 25 cm (10") woofer 8 Ohm (1061)

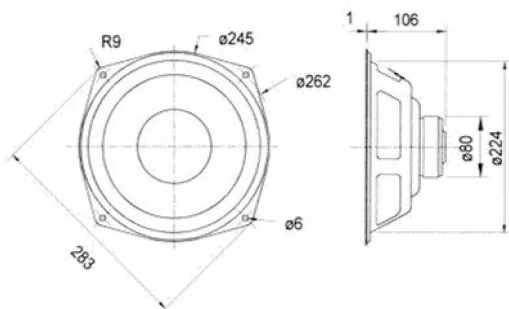


General description

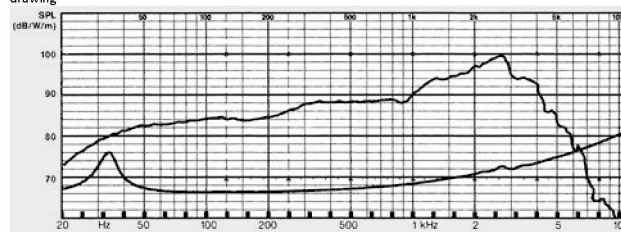
25 cm (10") woofer with coated paper cone, rubber edge and extended rear pole plate for long strokes. Due to the basket design especially suited as replacement woofer for many standard HiFi speakers.

Technical Data:

Nominal power handling	80 Watt
Peak power handling	110 Watt
Nominal impedance	8 Ohm
Frequency response (-10 dB)	fu - 6000 Hz
(fu: Lower cut-off frequency depending on cabinet)	.
Mean sound pressure level	88 dB (1W/1m)
Maximum cone displacement	12 mm
Resonance frequency fs	41 Hz
Magnetic induction	1 Tesla
Magnetic flux	310 μ Weber
Height of front pole-plate	4 mm
Voice coil diameter	2,5 cm
Height of winding	1,5 cm
Cutout diameter	22,5 cm
Net weight	1,25 kg
D.C. resistance Rdc	6 Ohm
Mechanical Q factor Qms	2,92
Electrical Q factor Qes	1,51
Total Q factor Qts	1
Equivalent volume Vas	90 l
Effective piston area Sd	330 cm ²
Dynamically moved mass Mms	30 g
Force factor Bxl	5,42 T · m
Inductance of the voice coil L	1,5 mH



drawing



frequency response