

FXTH87xx02FWUG

FXTH87xx02 Embedded Firmware User Guide

Rev. 2.2 — 5 April 2017

User guide

1 Introduction

This document describes the embedded firmware found in all derivatives of the FXTH87xx02 device.

The intended audience for this document is firmware architects, developers, coders and testers working with the FXTH87xx02 device.

This document is divided into three sections: This introduction, a section describing global variables and standard formats used throughout the functions, and a third section describing each function.



2 Globals and formats

2.1 Global variables

[Table 1](#) summarizes all global variables used by NXP firmware and their locations. Developers must account for these variables when creating new user firmware.

Table 1. Global variable and their locations

Name	Address	Reference
TPMS_CONT_ACCEL_GLOBAL_VARIABLE	\$8E	Section 2.1.2
TPMS_INTERRUPT_FLAG	\$8F	Section 2.1.1.

2.1.1 TPMS_INTERRUPT_FLAG

This global variable keeps track of interrupts that have occurred. FXTH87xx02 Embedded Firmware uses it to keep track of expected interrupts. It can also be utilized by the user for its own purposes. If an LFR interrupt occurs while a firmware function is under execution, the LFR User Interrupt Vector will not be accessed, and the bit 2 ([Table 2](#)) will be the only indication available. Users should check this bit, either prior to entering the firmware function or after the firmware function, to assure LF interrupts are not missed. Also, a number of firmware functions utilize the Stop1 or Stop4 modes, which disable the hardware Watch-dog block. In order to provide a back-up recovery, users should utilize either the RTI or PWU which can be programmed for interrupt if a software or firmware routine has consumed too much time. The Watch-dog is automatically restarted when the program goes back in RUN mode.

The TPMS_INTERRUPT_FLAG is not cleared automatically. Users *must* clear this variable after power-on-reset.

[Table 2](#) shows the TPMS_INTERRUPT_FLAG format. The trigger condition column describes what is necessary for that flag to be set.

Table 2. TPMS_INTERRUPT_FLAG format and trigger conditions

Flag	BIT	Trigger condition
LVD Interrupt	7	LVD interrupt entered.
PWU Interrupt	6	PWU interrupt entered.
TOF Interrupt	5	TOF interrupt entered.
LFR Error Interrupt	4	LFR interrupt entered and LFERF bit of the LFS register is set.
ADC Interrupt	3	ADC interrupt entered.
LFR Interrupt	2	LFR interrupt entered and LFERF bit of the LFS register is clear.
RTI Interrupt	1	RTI interrupt entered.
KBI Interrupt	0	KBI interrupt entered.

TPMS_INTERRUPT_FLAG is 1 byte long and is located at address \$8F. Users must account for this variable when developing for the FXTH87xx02.

2.1.2 TPMS_CONT_ACCEL_GLOBAL_VARIABLE

TPMS_CONT_ACCEL_GLOBAL_VARIABLE is 1 byte long and is located at address \$8E. Users must account for this variable when developing for the FXTH87xx02, and can ignore the contents of said variable as long as it is not overwritten. It is used internally by the TPMS_READ_ACCEL family of functions and its purpose is to communicate the next measurement's sampling rate when the u8Avg argument is set to a value greater than 2.

2.2 Measurement error format

2.2.1 Definition of signal ranges

Each measured parameter (pressure, voltage, temperature, and acceleration) results from an ADC conversion of an analog signal. This ADC result may then be passed by the firmware to the application software as either the raw ADC result or further compensated and scaled for an output between one and the maximum digital value minus one. The minimum digital value of zero and the maximum digital value are reserved as error codes.

The signal ranges and their significant data points are shown in [Figure 1](#). In this definition the signal source would normally output a signal between S_{INLO} and S_{INHl} . Due to process, temperature and voltage variations this signal may increase its range to S_{INMIN} to S_{INMAX} . In all cases the signal will be between the supply rails, so that the ADC will convert it to a range of digital numbers between 0 and 1023 (or 0 and 4095 in the case of temperature readings). These digital numbers will have corresponding D_{INMIN} , D_{INLO} , D_{INHl} , and D_{INMAX} values. The ADC digital value is taken by the firmware and compensated and scaled to give the required output code range.

Digital input values below D_{INMIN} and above D_{INMAX} are immediately flagged as being out of range and generate error bits and the output is forced to the corresponding railed-high or railed-low values.

Digital values below D_{INLO} (but above D_{INMIN}) or above D_{INHl} (but not D_{INMAX}) will most likely cause an output that would be less than 1 or greater than 510, respectively. These cases are considered underflow or overflow, respectively. Underflow results will be forced to a value of 1. Overflow results will be forced to a value of 510.

Digital values between D_{INLO} and D_{INHl} will normally produce an output between 1 to 510 (for a 9-bit result). In some isolated cases due to compensation calculations and rounding the result may be less than 1 or greater than 510, in which case the underflow and overflow rule mentioned above is used.

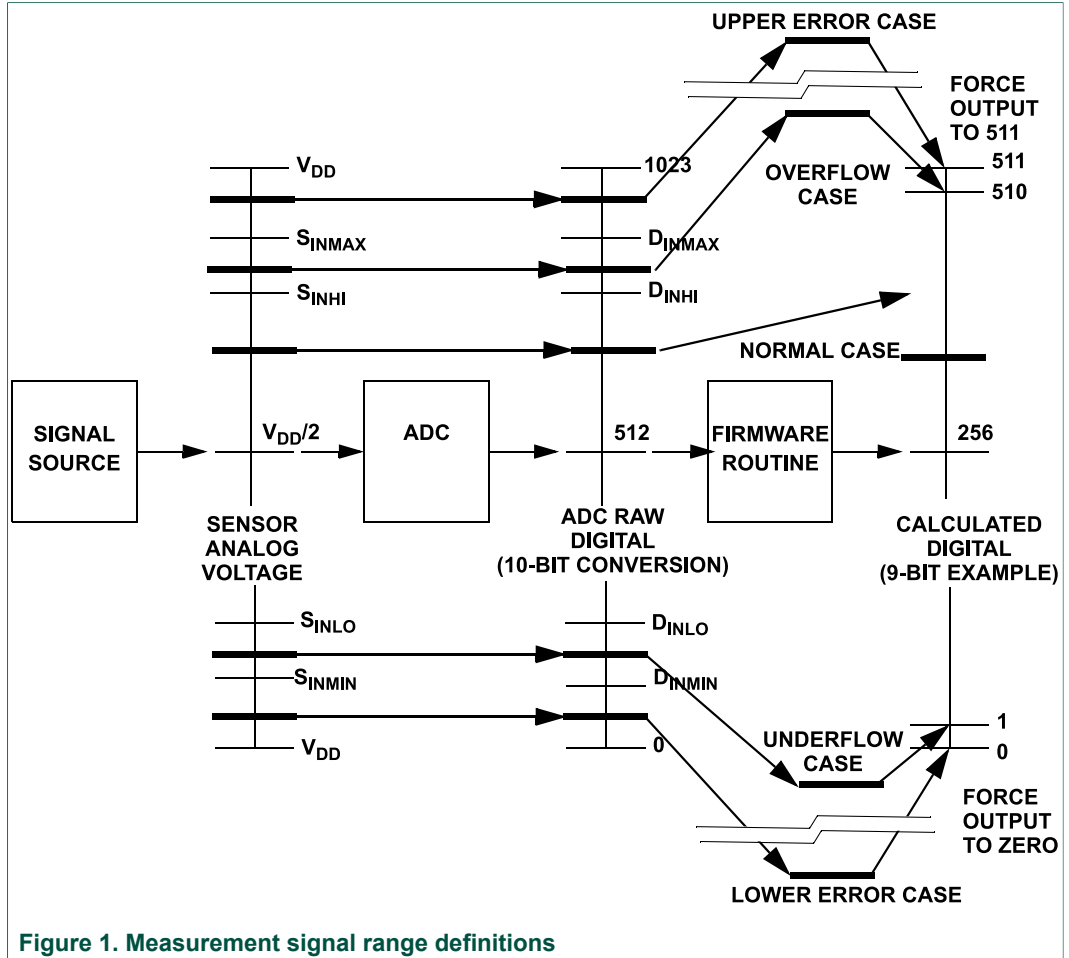


Figure 1. Measurement signal range definitions

2.2.2 Error status format

FXTH87xx02 Embedded Firmware functions that return a status byte commonly do so using the error fields described in [Table 3](#).

Table 3. Error status fields

Field	Description
BIT7 - ADCERR	<p>ADC Error — This status bit indicates an error was detected when performing an ADC test within the TPMS_WIRE_AND_ADC_CHECK routine.</p> <p>0 — ADC operating as expected. 1 — ADC returned unexpected reading.</p>
BIT6 – TERR	<p>Temperature Measurement Error — This status bit indicates an error was detected by a ADC reading of the temperature sensor that is outside of the normally accepted range.</p> <p>0 — Temperature error not detected in last firmware subroutine call. 1 — Temperature error detected in last firmware subroutine call.</p>

Field	Description
BIT5 – VERR	<p>Voltage Measurement Error — This status bit indicates an error was detected by a ADC reading of the voltage reference that is outside of the normally accepted range.</p> <p>0 — Voltage error not detected in last firmware subroutine call.</p> <p>1 — Voltage error detected in last firmware subroutine call.</p>
BIT4 – AZERR	<p>Z-axis Accelerometer Measurement Error (if applicable) — This status bit indicates an error was detected by a bonding wire failure to the g-cell or a ADC reading of the Z-axis accelerometer that is outside of the normally accepted range.</p> <p>0 — Acceleration error not detected in last firmware subroutine call.</p> <p>1 — Acceleration error detected in last firmware subroutine call.</p>
BIT3 – RESERVED	Reserved
BIT2 – PERR	<p>Pressure Measurement Error — This status bit indicates an error was detected by a parity fault in the P-Chip trim, bonding wire failure to the P-Chip or a ADC reading of the pressure that is outside of the normally accepted range.</p> <p>0 — Pressure error not detected in last firmware subroutine call.</p> <p>1 — Pressure error detected in last firmware subroutine call.</p>
BIT1 – BONDERR	<p>Bond Wire Error — This status bit indicates an error was detected in any of the bond wire checks of the g-cell or P-cell.</p> <p>0 — Bond wire error not detected in last firmware subroutine call.</p> <p>1 — Bond wire error detected in last firmware subroutine call.</p>
BIT0 – OVFLOW	<p>Calculation Overflow/Underflow — This status bit indicates that a compensated measurement of pressure, temperature, voltage or acceleration resulted in a digital output code outside of the expected range. The output value will be clipped to the nearest highest or lowest allowed value and the status bit will be set.</p> <p>0 — Overflow/underflow not detected in last firmware subroutine call.</p> <p>1 — Overflow/underflow detected in last firmware subroutine call.</p>

2.3 Universal uncompensated measurement array (UUMA) format

The FXTH87xx02's measurement routines are divided into two subsets: routines that return uncompensated measurements, and routines that take uncompensated measurements as arguments and return compensated measurements.

In order to be consistent and keep the number of CPU cycles down, all uncompensated measurement routines will return data following the array format described in [Table 4](#), and all compensating routines will take data from the same array.

Table 4. Universal uncompensated measurement array

Index	Content
0	Uncompensated voltage
1	Uncompensated temperature
2	Uncompensated pressure
3	Uncompensated acceleration

This array is referred to as Universal Uncompensated Measurement Array (UUMA). It can be located anywhere the user decides.

Each element must be 16-bits long (two bytes) regardless of what the actual bit-width of the measurement is.

Each individual uncompensated measurement routine will only update its corresponding item. For example, calling the TPMS_READ_VOLTAGE routine will only modify the voltage element of the array. The rest will remain unchanged.

Compensation routines do not modify any elements in the UUMA.

2.4 Simulated SPI interface signal format

The FXTH87xx02 includes three routines (TPMS_MSG_INIT, TPMS_MSG_READ and TPMS_MSG_WRITE) that, when used together, allow the user to perform serial communication with the device through a simulated SPI interface.

The following assumptions are made:

- Only two pins are used: PTA0 for data (both incoming and outgoing) and PTA1 for clock. No slave select is included by default, but the user may use any other pin if required.
- The data pin has a pullup resistor enabled.
- The FXTH87xx02 will be a master device (the FXTH87xx02 will provide the clock).
- Data can be read/written eight bits at a time.
- Speed of the interface is dependant on bus clock settings.
- Data is transferred MSB first.
- A single line will be used for both sending and receiving data (BIDIROE = SET according to NXP nomenclature).
 - At the clock's rising edge, the master will place data on the pin. It will be valid until the clock's falling edge. The slave must not drive the line during this period.
 - At the clock's falling edge, the master will make the data pin an input and will "listen" for data. The slave must then place data on the data line until the clock's rising edge.
- Clock Polarity = 0 (Normally low).
- Clock Phase = 1 (First half is high).

Figure 2 shows the details of the simulated SPI interface.

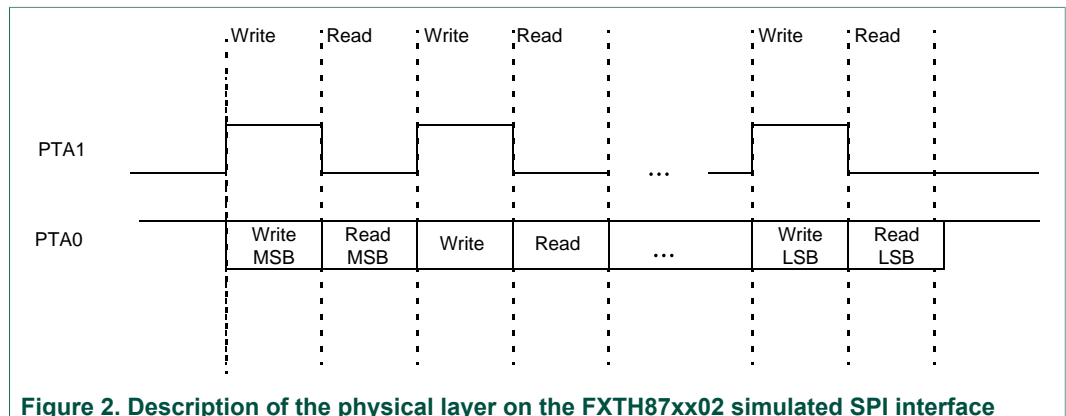


Figure 2. Description of the physical layer on the FXTH87xx02 simulated SPI interface

For further information on the use of the Simulated SPI interface routines, refer to [Section 3.2.23](#), [Section 3.2.24](#), and [Section 3.2.25](#).

2.5 Rapid decompression event array (T_RDE) format

The FXTH87xx02 includes a routine called TPMS_RDE_ADJUST_PRESSURE that requires a pointer to an array of elements using a custom format called T_RDE. Said format is easily manageable using a *typedef* instruction as shown in the following example.

Example of sample typedef for a T_RDE array

```
typedef struct
{
    UINT16 u16CompPress;      /* I/O 9-bit Compensated pressure reading */
    UINT8  u8ElapsedTime;    /* I Elapsed time from previous reading */
    UINT16 u16WAvg;          /* O Weighed average for running pressure */
    UINT8  u8PRes;           /* O 8-bit pressure reserve value */
    UINT8  u8PMin;           /* O 8-bit minimum pressure value */
    UINT8  u8RDEStatusFlags; /* O Contains flags for Clock and RDE Event */
    UINT16 u16RDEBailTimeOut; /* O Seconds to 60 mins bail-out */
    UINT8  u8RDETimeToAvg;   /* O Seconds to next averaging event */
} T_RDE;
```

As shown by the comments, only the u16CompPress and u8ElapsedTime elements of this array should be edited by the user; the rest will be updated by the TPMS_RDE_ADJUST_PRESSURE function.

In order for TPMS_RDE_ADJUST_PRESSURE to work correctly, the T_RDE variable must be declared as a global and must reside in an NVM location.

For more information on TPMS_RDE_ADJUST_PRESSURE, refer to [Section 3.2.43](#).

2.6 LFR registers initialized by firmware

Some LFR registers are touched by firmware when taking the reset vector and before giving control to the user. The goal of this action is to configure the LFR module in the best-known configuration for Manchester-encoded reception.

LFR registers will be configured differently depending on the user-selected sensitivity. [Table 5](#) and [Table 6](#) describe these settings.

Table 5. Customer-configurable TPMS7 and LF Register with SENS = 1

Page-0	Bit name							
Register name	7	6	5	4	3	2	1	0
LFCTL1	LFEN	SRES	CARMOD	PAGE	IDSEL		SENS	
LFCTL2	LFSTM				LFONTM			
LFCTL3	LFDO	TOGMOD	SYNC		LFCDTM			
LFCTL4	LFDRIE	LFERIE	LFCDIE	LFIDIE	DECEN	VALEN	TIMOUT	
LFS	LFDRF	LFERF	LFCDF	LFIDF	LFOVF	LFEOMF	LPSM	LFIK
LFDATA	RXDATA							
LFIDL	ID7	ID6	ID5	ID4	ID3	ID2	ID1	ID0
LFIDH	ID15	ID14	ID13	ID12	ID11	ID10	ID9	ID8

Page-1	Bit name							
Register name	7	6	5	4	3	2	1	0
LFCTL1	LFEN	SRES	CARMOD	PAGE	IDSEL		SENS = 1	

Page-1	Bit name							
Register name	7	6	5	4	3	2	1	0
LFCTRLE	—	—	—	—	—	0	0	0
LFCTRLD	1	0	DEQS	1	1	1	0	1
LFCTRLC	0	0	0	1	AZEN	LOWQ		DEQEN
LFCTRLB	1	1	LFFAF	LFCAF	LPOL	1	1	0
LFCTRLA	—	—	—	—	LFCC			
TRIM1	—	—	—	—	—	—	—	—
TRIM2	—	—	—	—	—	—	—	—

Shaded cells show register touched by firmware; loaded value is displayed.

Table 6. Customer-configurable TMPS and LF Register with SENS = 2

Page-0	Bit name							
Register name	7	6	5	4	3	2	1	0
LFCTL1	LFEN	SRES	CARMOD	PAGE	IDSEL		SENS	
LFCTL2	LFSTM				LFONTM			
LFCTL3	LFDO	TOGMOD	SYNC		LFCDTM			
LFCTL4	LFDRIE	LFERIE	LFCDIE	LFIDIE	DECEN	VALEN	TIMOUT	
LFS	LFDRF	LFERF	LFCDF	LFIDF	LFOVF	LFEOMF	LPSM	LFIK
LFDATA	RXDATA							
LFIDL	ID7	ID6	ID5	ID4	ID3	ID2	ID1	ID0
LFIDH	ID15	ID14	ID13	ID12	ID11	ID10	ID9	ID8

Page-1	Bit name							
Register name	7	6	5	4	3	2	1	0
LFCTL1	LFEN	SRES	CARMOD	PAGE	IDSEL		SENS = 2	
LFCTRLE	—	—	—	—	—	0	0	0
LFCTRLD	1	0	DEQS	1	1	1	0	1
LFCTRLC	0	0	0	1	AZEN	LOWQ		DEQEN
LFCTRLB	1	1	LFFAF	LFCAF	LPOL	1	1	0
LFCTRLA	—	—	—	—	LFCC			
TRIM1	—	—	—	—	—	—	—	—
TRIM2	—	—	—	—	—	—	—	—

Shaded cells show register touched by firmware; loaded value is displayed.

3 Firmware functions

3.1 Firmware jump table

The FXTH87xx02 device contains an embedded firmware function jump table to allow programmers to reference any function through a function pointer to an absolute address. This helps isolate NXP firmware from the user's application. [Table 7](#) shows a list of all firmware functions, their address, and to which FXTH87xx02 derivative they apply.

For a description of how to implement pointers to fixed addresses using the C language, please refer to [Manual_Compiler_HC08.pdf](#) (part of the CodeWarrior package).

Table 7. FXTH87xx02's firmware function jump table

Absolute Address	Return type	Function	Reference
\$E000	void	TPMS_RESET	Section 3.2.1
\$E003	UINT8	TPMS_READ_VOLTAGE	Section 3.2.2
\$E006	UINT8	TPMS_COMP_VOLTAGE	Section 3.2.3
\$E009	UINT8	TPMS_READ_TEMPERATURE	Section 3.2.4
\$E00C	UINT8	TPMS_COMP_TEMPERATURE	Section 3.2.5
\$E00F	UINT8	TPMS_READ_PRESSURE	Section 3.2.6
\$E012	UINT8	TPMS_COMP_PRESSURE	Section 3.2.7
\$E015	UINT8	TPMS_READ_ACCELERATION	Section 3.2.8
\$E018	UINT8	TPMS_COMP_ACCELERATION	Section 3.2.9
\$E01B	UINT8	TPMS_READ_V0	Section 3.2.10
\$E01E	UINT8	TPMS_READ_V1	Section 3.2.11
\$E021	UINT8	TPMS_LFOCAL	Section 3.2.12
\$E024	UINT8	TPMS_MFOCAL	Section 3.2.13
\$E027	UINT16	TPMS_WAVG	Section 3.2.14
\$E02A	void	TPMS_RF_RESET	Section 3.2.15
\$E02D	void	TPMS_RF_READ_DATA	Section 3.2.16
\$E030	void	TPMS_RF_READ_DATA_REVERSE	Section 3.2.17
\$E033	void	TPMS_RF_WRITE_DATA	Section 3.2.18
\$E036	void	TPMS_RF_WRITE_DATA_REVERSE	Section 3.2.19
\$E039	void	TPMS_RF_CONFIG_DATA	Section 3.2.20
\$E03C	void	Reserved	—
\$E03F	void	TPMS_RF_SET_TX	Section 3.2.21
\$E042	void	TPMS_RF_DYNAMIC_POWER	Section 3.2.22
\$E045	void	TPMS_MSG_INIT	Section 3.2.23
\$E048	UINT8	TPMS_MSG_READ	Section 3.2.24
\$E04B	UINT8	TPMS_MSG_WRITE	Section 3.2.25
\$E04E	UINT8	TPMS_CHECKSUM_XOR	Section 3.2.26

Absolute Address	Return type	Function	Reference
\$E051	UINT8	TPMS_CRC8	Section 3.2.27
\$E054	UINT16	TPMS_CRC16	Section 3.2.28
\$E057	UINT16	TPMS_SQUARE_ROOT	Section 3.2.29
\$E05A	void	TPMS_READ_ID	Section 3.2.30
\$E05D	void	TPMS_LF_ENABLE	Section 3.2.31
\$E060	UINT8	TPMS_LF_READ_DATA	Section 3.2.32
\$E063	UINT8	TPMS_WIRE_AND_ADC_CHECK	Section 3.2.33
\$E066	void	TPMS_FLASH_WRITE	Section 3.2.34
\$E069	UINT16	TPMS_FLASH_CHECK	Section 3.2.35
\$E06C	UINT8	TPMS_FLASH_ERASE	Section 3.2.36
\$E06F	UINT8	TPMS_READ_DYNAMIC_ACCEL	Section 3.2.37
\$E072	void	TPMS_RF_ENABLE	Section 3.2.38
\$E075	UINT8	TPMS_FLASH_PROTECTION	Section 3.2.39
\$E078	void	Reserved	—
\$E07B	void	TPMS_MULT_SIGN_INT16	Section 3.2.40
\$E07E	UINT8	TPMS_VREG_CHECK	Section 3.2.41
\$E081	UINT8	TPMS_PRECHARGE_VREG	Section 3.2.42
\$E084	UINT8	TPMS_RDE_ADJUST_PRESSURE	Section 3.2.43
\$E087	UINT8	TPMS_READ_ACCEL_CONT_START	Section 3.2.44
\$E08A	UINT8	TPMS_READ_ACCEL_CONT	Section 3.2.45
\$E08D	UINT8	TPMS_READ_ACCEL_CONT_STOP	Section 3.2.46

3.2 Function description

The following function descriptions include stack sizes and approximate duration.

Stack sizes have been calculated by executing each routine and measuring the amount of memory utilized. Unless noted, they represent the maximum stack the function will utilize.

Duration estimates are performed on one part at room temperature. They are intended to serve as a guideline for typical execution time.

3.2.1 void TPMS_RESET(void)

- **Description:** This function is called when taking the reset vector. It will first configure certain LF registers to settings matching internal test known as Case 4 at NXP. Next, it will reset the Stack Pointer to the last RAM location and jump to the location stored by the user in \$DFFE:DFFF. No further initialization is performed.
- **Stack size:** 2 bytes
- **Power Management:** This function executes entirely in RUN mode.
- **Interrupt Management:** This function does not await interrupts. It is not affected by interrupts either.

- **Resources:** Stack
- **Input Parameters:**
 - None
- **Returns:**
 - void

3.2.2 UINT8 TPMS_READ_VOLTAGE(UINT16 *u16UUMA)

- **Description:** Performs a 10-bit uncompensated voltage measurement and places it in the UUMA. While waiting for the ADC to converge, this function goes into STOP4. If the ADC, for an unexpected reason, fails to converge, this function has a built-in time-out: After five continuous non-ADC interrupts, the function will assume a failed ADC reading, flag it accordingly, and exit.
 - If the ADC value is over or under the normal operating condition, the "voltage error" status flag will be set. The expected voltage result will be forced to either "0" or "1023." (rail high or rail low).
 - If the ADC times out with no result, the "ADC error" status flag will be set.
 - Measurements below 2.1 V are not guaranteed for accuracy.
- **Stack size:** 22 bytes
- **Approx. Duration:** 102 µs
- **Power Management:** This function requires the core to be configured for STOP4 mode and running at full bus speed.
- **Interrupt Management:** This function utilizes the ADC interrupt to wake-up from STOP mode.
- **Resources:** ADC, bandgap.
- **Input Parameters:**
 - UINT16 *u16UUMA: Pointer to Universal Uncompensated Measurement Array (as described in [Section 2.3](#)). Only the 10-bit uncompensated voltage result will be updated.
- **Returns:**
 - UINT8 u8Status: Valid error flags/outputs are described in [Table 8](#).

Table 8. Valid output conditions for TPMS_READ_VOLTAGE

u8Status Value	Measurement Value	Condition
\$20	\$03FF	Uncompensated voltage reading outside of valid range (high).
\$20	\$0000	Uncompensated voltage reading outside of valid range (low).
\$80	Undefined	Uncompensated voltage reading not acquired.
\$00	Between \$0001 - \$03FE	Valid uncompensated voltage reading.

Warning: The bandgap bit (BIT0 in the SPMSC1 register) must be set prior to calling this function for results to be valid.

3.2.3 UINT8 TPMS_COMP_VOLTAGE(UINT8 *u8CompVoltage, *UINT16 u16UUMA)

- **Description:** Performs an 8-bit compensated voltage measurement. It is the user's responsibility to ensure that updated and valid uncompensated voltage reading is available in the UUMA for this routine to return a meaningful value.
 - If $V_{out} < 2.1\text{ V}$, `u8Voltage` will be 1 and the "over/underflow" status flag will be set.
 - Measurements below 2.1 V are not guaranteed for accuracy.
 - If $V_{out} \geq 3.75\text{ V}$, result will be `$FE` and the "over/underflow" status flag will be set.
 - For repeatability data, refer to the FXTH87xxx data sheet family.
- **Stack size:** 31 bytes
- **Approx. Duration:** 204 μs
- **Power Management:** This function executes entirely in RUN mode.
- **Interrupt Management:** This function does not await interrupts. It is not affected by interrupts either.
- **Resources:** UUMA
- **Input Parameters:**
 - `UINT8 *u8Voltage`: Updated 8-bit compensated voltage result.
 - `UINT16 *u16UUMA`: Pointer to Universal Uncompensated Measurement Array (as described in [Section 2.3](#)). Uncompensated voltage will be utilized from this array.
- **Returns:**
 - `UINT8 u8Status`: Valid error flags/outputs are described in [Table 9](#).

Table 9. Valid output conditions for TPMS_COMP_VOLTAGE

u8Status Value	Measurement Value	Condition
\$01	\$FE	Compensated voltage reading outside of valid range (high).
\$01	\$01	Compensated voltage reading outside of valid range (low).
\$00	Between \$01 - \$FE	Valid compensated voltage reading.

3.2.4 UINT8 TPMS_READ_TEMPERATURE(UINT16 *u16UUMA)

- **Description:** Performs a 12-bit uncompensated temperature measurement and places it in the UUMA. While waiting for the ADC to converge, this function goes into STOP4. If the ADC, for an unexpected reason, fails to converge, this function has a built-in timeout: After five continuous non-ADC interrupts, the function will assume a failed ADC reading, flag it accordingly, and exit. If the LVWF (Low Voltage Warning Flag) hardware bit is set, it will flag it accordingly as well.
 - If the ADC value is over or under the normal operating condition, the "temperature error" status flag will be set. The expected temperature result will be forced to either "0" or "4095." (rail high or rail low).
 - If the ADC times out with no result, the "ADC error" status flag will be set.
- **Stack size:** 17 bytes
- **Approx. Duration:** 223 μs
- **Power Management:** This function requires the core to be configured for STOP4 mode and running at full bus speed.
- **Interrupt Management:** This function utilizes the ADC interrupt to wake-up from STOP mode.

- **Resources:** ADC, bandgap.
- **Input Parameters:**
 - UINT16 *u16UUMA: Pointer to Universal Uncompensated Measurement Array (as described in [Section 2.3](#)). Only the 12-bit uncompensated temperature result will be updated.
- **Returns:**
 - UINT8 u8Status: Valid error flags/outputs are described in [Table 10](#).

Table 10. Valid output conditions for TPMS_READ_TEMPERATURE

u8Status Value	Measurement Value	Condition
\$40	\$0FFF	Uncompensated temperature reading outside of valid range (high).
\$40	\$0000	Uncompensated temperature reading outside of valid range (low).
\$60	\$0FFF	Uncompensated temperature reading outside of valid range (high), and LVWF set.
\$60	\$0000	Uncompensated temperature reading outside of valid range (low), and LVWF set.
\$80	Undefined	Uncompensated temperature reading not acquired
\$A0	Undefined	Uncompensated temperature reading not acquired, and LVWF set.
\$00	Between \$0001 - \$0FFE	Valid uncompensated temperature reading.
\$20	Between \$0001 - \$0FFE	Valid uncompensated temperature reading, LVWF set.

Warning: The bandgap bit (BIT0 in the SPMSC1 register) must be set prior to calling this function for results to be valid.

3.2.5 UINT8 TPMS_COMP_TEMPERATURE(UINT8 *u8Temp, UINT16 *u16UUMA)

- **Description:** Performs an 8-bit compensated temperature measurement. It is the user's responsibility to ensure that updated and valid uncompensated temperature reading is available in the UUMA for this routine to return a meaningful value.
 - If Tout < -40 °C, u8Temp will be 1 and the "over/underflow" status flag will be set.
 - If Tout ≥ 200 °C, u8Temp will be \$FE and the "over/underflow" status flag will be set.
- **Stack size:** 30 bytes
- **Approx. Duration:** 221 μs
- **Power Management:** This function executes entirely in RUN mode.
- **Interrupt Management:** This function does not await interrupts. It is not affected by interrupts either.
- **Resources:** UUMA
- **Input Parameters:**
 - UINT8 *u8Temp: Updated 8-bit compensated temperature result.
 - UINT16 *u16UUMA: Pointer to Universal Uncompensated Measurement Array (as described in [Section 2.3](#)). Uncompensated temperature will be utilized from this array.
- **Returns:** UINT8 u8Status: Valid error flags/outputs are described in [Table 11](#).

Table 11. Valid output conditions for TPMS_COMP_TEMPERATURE

u8Status Value	Measurement Value	Condition
\$01	\$FE	Compensated temperature reading outside of valid range (high).
\$01	\$01	Compensated temperature reading outside of valid range (low).
\$00	Between \$01 - \$FE	Valid compensated temperature reading.

3.2.6 UINT8 TPMS_READ_PRESSURE(UINT16 *u16UUMA, UINT8 u8Avg)

- **Description:** Performs an 10-bit uncompensated pressure measurement and places it in the UUMA. While waiting for the ADC to converge, this function goes into STOP4. If the ADC, for an unexpected reason, fails to converge, this function has a built-in time-out: After five continuous non-ADC interrupts, the function will assume a failed ADC reading, flag it accordingly, and exit. If the LVWF (Low Voltage Warning Flag) hardware bit is set, it will flag it accordingly as well.
 - If the ADC value is over or under the normal operating condition, the "pressure error" status flag will be set. The expected pressure result will be forced to either "0" or "1023." (rail high or rail low).
 - If the ADC times out with no result, the "ADC error" status flag will be set.
- **Stack size:** 26 bytes
- **Approx. Duration:** 2870 μs with average of 1. Approximately 751 bus clock cycles + 312 MFO clock cycles + ~20 μs ADC conversion + STOP4 exit time for average of 1.

Table 12. Approximate duration for TPMS_READ_PRESSURE

Mode	Component	Estimated duration during normal operation	Observed duration [ms]
Average of 1	Bus clock cycles	760	—
	MFO clock cycles	312	—
	ADC conversion time [μs] ^[1]	20	—
	STOP4 exit time [μs] ^[2]	100	—
	Total [ms]	2.806	2.87
Average of 2	Additional bus clock cycles	176	—
	Additional MFO clock cycles	312	—
	Additional ADC conversion time ⁽¹⁾	20	—
	Additional STOP4 exit time ⁽²⁾	100	—
	Additional time [ms]	2.66	—
	Total [ms]	5.466	5.582
Average of ≥ 4	Additional bus clock cycles per additional sample	176	—
	Additional MFO clock cycles per additional sample	8	—
	Additional ADC conversion time per additional sample ⁽¹⁾	20	—

Mode	Component	Estimated duration during normal operation	Observed duration [ms]
	Additional STOP4 exit time per additional sample ⁽²⁾	100	—
	Additional time per additional sample [ms]	0.228	—
	Total for average = 4 [ms]	5.922	5.971
	Total for average = 8 [ms]	6.834	6.759
	Total for average = 16 [ms]	8.658	8.33

[1] Typical ADC conversion time with nominal ADC clock at conversion settings.

[2] Typical STOP4 exit time. For exact range, refer to product data sheet.

- **Power Management:** This function requires the core to be configured for STOP4 mode and running at full bus speed.
- **Interrupt Management:** This function utilizes the ADC interrupt to wake-up from STOP mode.
- **Resources:** SMI, ADC, internal bond wires.
- **Input Parameters:**
 - UINT16 *u16UUMA: Pointer to Universal Uncompensated Measurement Array (as described in [Section 2.3](#)). Only the 10-bit uncompensated pressure result will be updated.
 - UINT8 u8Avg: Number of measurements to average into one result. The value can be set to 1, 2, 4, 8, or 16.
- **Returns:** UINT8 u8Status: Valid error flags/outputs are described in [Table 13](#).

Table 13. Valid output conditions for TPMS_READ_PRESSURE

u8Status Value	Measurement Value	Condition
\$04	\$03FF	Uncompensated pressure reading outside of valid range (high).
\$04	\$0000	Uncompensated pressure reading outside of valid range (low).
\$24	\$03FF	Uncompensated pressure reading outside of valid range (high), and LVWF set.
\$24	\$0000	Uncompensated pressure reading outside of valid range (low), and LVWF set.
\$80	\$0000	Uncompensated pressure reading not acquired.
\$A0	\$0000	Uncompensated pressure reading not acquired, and LVWF set.
\$00	Between \$0001 - \$03FE	Valid uncompensated pressure reading.
\$20	Between \$0001 - \$03FF	Valid uncompensated pressure reading, and LVWF set.

3.2.7 UINT8 TPMS_COMP_PRESSURE(UINT16 *u16CompPressure, UINT16 *u16UUMA)

- **Description:** Performs an 9-bit compensated pressure measurement. It is the user's responsibility to ensure that updated and valid uncompensated voltage, temperature and pressure readings are available in the UUMA for this routine to return a meaningful value.
 - If either the temperature or supply voltage measurements inherent to this function result in a fault, the pressure reading will be forced to 0 and the appropriate pressure, temperature and/or voltage flags will be set in the status flag.
 - If Pout < 100 kPa, the "over/underflow" status flag will be set, and u16CompPressure will be forced to \$001.
 - If Pout ≥ maximum pressure for the part number, u16CompPressure will be \$1FE and the "over/underflow" status flag will be set.
 - If the passed uncompensated voltage measurement is estimated to be under the guaranteed operational region, the routine will set the "Voltage" status flag. The accuracy of the returned value is not guaranteed.
 - For repeatability data, refer to the FXTH87xxxx data sheet family.
- **Stack size:** 46 bytes
- **Approx. Duration:** 872 μs
- **Power Management:** This function executes entirely in RUN mode.
- **Interrupt Management:** This function does not await interrupts. It is not affected by interrupts either.
- **Resources:** UUMA
- **Input Parameters:**
 - UINT16 *u16Pressure: Updated 9-bit compensated pressure result.
 - UINT16 *u16UUMA: Pointer to Universal Uncompensated Measurement Array (as described in [Section 2.3](#)). Uncompensated voltage, temperature and pressure will be taken from this array.
- **Returns:** UINT8 u8Status: Valid error flags/outputs are described in [Table 14](#).

Table 14. Valid output conditions for TPMS_COMP_PRESSURE

u8Status Value	Measurement Value	Condition
\$01	\$01FE	Compensated pressure reading outside of valid range (high).
\$01	\$0001	Compensated pressure reading outside of valid range (low).
\$21	\$01FE	Compensated pressure reading outside of valid range (high), and uncompensated voltage suspected to be below valid operating range for this function.
\$21	\$0001	Compensated pressure reading outside of valid range (low), and uncompensated voltage suspected to be under below operating range for this function.
\$20	Between \$0001 - \$01FE	Uncompensated voltage suspected to be below valid operating range for this function; The compensated reading is not guaranteed for accuracy.

u8Status Value	Measurement Value	Condition
\$00	Between \$0001 - \$01FE	Valid compensated pressure reading.

3.2.8 UINT8 TPMS_READ_ACCELERATION(UINT16 *u16UUMA, UINT8 u8Avg, UINT8 u8ModeSelect, UINT8 u8DynamicOffset)

- **Description:** Performs an uncompensated 10-bit measurement. While waiting for the ADC to converge, this function goes into STOP4. If the ADC, for an unexpected reason, fails to converge, this function has a built-in time-out: After five continuous non-ADC interrupts, the function will assume a failed ADC reading, flag it accordingly, and exit. If the LVWF (Low Voltage Warning Flag) hardware bit is set, it will flag it accordingly as well.
 - If the ADC value is over or under the normal operating condition, the "acceleration error" status flag will be set. The expected acceleration result will be forced to either "0" or "1023." (rail high or rail low).
 - If the ADC times out with no result, the "ADC error" status flag will be set.
- **Stack size:** 31 bytes for 500 Hz, 34 bytes for 250 Hz.
- **Approx. Duration:**

Table 15. Approximate duration for TPMS_READ_ACCELERATION

Mode	Component	Estimated duration during normal operation	Observed duration [ms]
500 Hz, Average of 1	Bus clock cycles	760	—
	MFO clock cycles	312	—
	ADC conversion time [μs] ^[1]	20	—
	STOP4 exit time [μs] ^[2]	100	—
	Total [ms]	2.806	2.87
500 Hz, Average of 2	Additional bus clock cycles	176	—
	Additional MFO clock cycles	312	—
	Additional ADC conversion time ⁽¹⁾	20	—
	Additional STOP4 exit time ⁽²⁾	100	—
	Additional time [ms]	2.66	—
Total [ms]	5.466	5.5932	
500 Hz, Average of ≥ 4	Additional bus clock cycles per additional sample	176	—
	Additional MFO clock cycles per additional sample	8	—
	Additional ADC conversion time per additional sample ⁽¹⁾	20	—
	Additional STOP4 exit time per additional sample ⁽²⁾	100	—

Mode	Component	Estimated duration during normal operation	Observed duration [ms]
	Additional time per additional sample [ms]	0.228	
	Total for average = 4 [ms]	5.922	5.988
	Total for average = 8 [ms]	6.834	6.774
	Total for average = 16 [ms]	8.658	8.33
250 Hz, Average of 1	Bus clock cycles	805	—
	MFO clock cycles	468	—
	ADC conversion time [μ s] ⁽¹⁾	40	—
	STOP4 exit time [μ s] ⁽²⁾	200	—
	Total [ms]	4.18525	4.22
250 Hz, Average of 2	Additional bus clock cycles	176	—
	Additional MFO clock cycles	312	—
	Additional ADC conversion time	20	—
	Additional STOP4 exit time	100	—
	Additional time [ms]	2.66	—
	Total [ms]	6.84525	7.058
500 Hz, Average of \geq 4	Additional bus clock cycles per additional sample	176	—
	Additional MFO clock cycles per additional sample	8	—
	Additional ADC conversion time per additional sample ⁽¹⁾	20	—
	Additional STOP4 exit time per additional sample ⁽²⁾	100	—
	Additional time per additional sample [ms]	0.228	—
	Total for average = 4 [ms]	7.30125	7.458
	Total for average = 8 [ms]	8.21325	8.254
	Total for average = 16 [ms]	10.03725	9.827

[1] Typical ADC conversion time with nominal ADC clock at conversion settings.

[2] Typical STOP4 exit time. For exact range, refer to product data sheet.

- **Power Management:** This function requires the core to be configured for STOP4 mode and running at full bus speed.
- **Interrupt Management:** This function utilizes the ADC interrupt to wake-up from STOP mode.
- **Resources:** SMI, ADC, internal bond wires.
- **Input Parameters:**

- UINT16 *u16UUMA: Pointer to Universal Uncompensated Measurement Array (as described in [Section 2.3](#)). Only the 10-bit uncompensated acceleration result will be updated.
- UINT8 u8Avg: Number of measurements to average into one result. The value can be set to 1, 2, 4, 8, or 16.
- UINT8 u8ModeSelect: Will set-up the acceleration measurement based on [Table 16](#).

Table 16. u8ModeSelect options

u8ModeSelect Value	Selected Mode
0	500 Hz low-pass filter selected, normal dynamic range.
1	250 Hz low-pass filter selected, normal dynamic range.

- UINT8 u8DynamicOffset: Selects the offset setting for the appropriate acceleration reading depending on what BIT1 of u8ModeSelect is. For normal dynamic offset mode, default index is 6. Valid range is 0 - 15.
- **Returns:** UINT8 u8Status: Valid error flags/outputs are described in [Table 17](#).

Table 17. Valid output conditions for TPMS_READ_ACCELERATION

u8Status Value	Measurement Value	Condition
\$10	\$03FF	Uncompensated acceleration reading outside of valid range (high).
\$10	\$0000	Uncompensated acceleration reading outside of valid range (low).
\$30	\$03FF	Uncompensated acceleration reading outside of valid range (high), and LVWF set.
\$30	\$0000	Uncompensated acceleration reading outside of valid range (low), and LVWF set.
\$80	\$0000	Uncompensated acceleration reading not acquired.
\$A0	\$0000	Uncompensated acceleration reading not acquired, and LVWF set.
\$00	Between \$0001 - \$03FE	Valid uncompensated acceleration reading.
\$20	Between \$0001 - \$03FE	Valid uncompensated acceleration reading, but LVWF set.

3.2.9 UINT8 TPMS_COMP_ACCELERATION(UINT16 *u16CompAccel, UINT16* u16UUMA)

- **Description:** Performs an 9-bit compensated acceleration measurement. It is the user's responsibility to ensure that updated and valid uncompensated voltage, temperature and acceleration readings are available in the UUMA for this routine to return a meaningful value.
 - If u16CompAccel rails low, u16CompAccel will be forced to 1 and the "over/underflow" status flag will be set.
 - If u16CompAccel rails high, u16CompAccel will be forced to \$1FE and the "over/underflow" status flag will be set.

- If the incoming uncompensated voltage measurement is estimated to be under the guaranteed operational region, the routine will set the "Voltage" status flag. The accuracy of the returned value is not guaranteed.
- For repeatability data, refer to the FXTH87xxxx data sheet family.
- **Stack size:** 55 bytes
- **Approx. Duration:** 952 μs
- **Power Management:** This function executes entirely in RUN mode.
- **Interrupt Management:** This function does not await interrupts. It is not affected by interrupts either.
- **Resources:** UUMA
- **Input Parameters:**
 - UINT16 *u16Accel: Updated 9-bit compensated acceleration.
 - UINT16 *u16UUMA: Pointer to Universal Uncompensated Measurement Array (as described in [Section 2.3](#)). Uncompensated voltage, temperature and acceleration will be taken from this array.
- **Returns:**
 - UINT8 u8Status: Valid error flags/outputs are described in [Table 18](#).

Table 18. Valid output conditions for TPMS_COMP_ACCELERATION

u8Status Value	Measurement Value	Condition
\$01	\$01FE	Compensated acceleration reading outside of valid range (high).
\$01	\$0001	Compensated acceleration reading outside of valid range (low).
\$21	\$01FE	Compensated acceleration reading outside of valid range (high), and uncompensated voltage suspected to be below valid operating range for this function.
\$21	\$0001	Compensated acceleration reading outside of valid range (low), and uncompensated voltage suspected to be below valid operating range for this function.
\$20	Between \$0001 - \$01FE	Uncompensated voltage suspected to be below valid operating range for this function; The compensated reading is not guaranteed for accuracy.
\$00	Between \$0001 - \$01FE	Valid compensated acceleration reading.

3.2.10 UINT8 TPMS_READ_V0(UINT16 *u16Result, UINT8 u8Avg)

- **Description:** Performs an 10-bit uncompensated measurement at pin PTA0.
- **Stack size:** 23 bytes
- **Approx. Duration:** 109 μs
- **Power Management:** This function requires the core to be configured for STOP4 mode and running at full bus speed.
- **Interrupt Management:** This function utilizes the ADC interrupt to wake-up from STOP mode.
- **Resources:** ADC, PTA0.
- **Input Parameters:**

- UINT16 *u16Result: Updated 10-bit uncompensated measurement.
- UINT8 u8Avg: Number of measurements to average into one result. The value can be set to 1, 2, 4, 8, or 16.
- **Returns:**
 - UINT8 u8Status: Valid error flags/outputs are described in [Table 19](#).

Table 19. Valid output conditions for TPMS_READ_V0 and TPMS_READ_V1

u8Status Value	Measurement Value	Condition
\$01	\$0000	Reading not acquired.
\$00	Between \$0000 - \$03FE	Valid reading.

3.2.11 UINT8 TPMS_READ_V1(UINT16 *u16Result, UINT8 u8Avg)

- **Description:** Performs an 10-bit uncompensated measurement at pin PTA1.
- **Stack size:** 23 bytes
- **Approx. Duration:** 109 µs
- **Power Management:** This function requires the core to be configured for STOP4 mode and running at full bus speed.
- **Interrupt Management:** This function utilizes the ADC interrupt to wake-up from STOP mode.
- **Resources:** ADC, PTA1.
- **Input Parameters:**
 - UINT16 *u16Result: Updated 10-bit uncompensated measurement.
 - UINT8 u8Avg: Number of measurements to average into one result. The value can be set to 1, 2, 4, 8, or 16.
- **Returns:**
 - UINT8 u8Status: Valid error flags/outputs are described in [Table 19](#).

3.2.12 UINT8 TPMS_LFOCAL(void)

- **Description:** Performs PWU clock calibration. The wake-up and periodic reset time can be calibrated more accurately by using the TPMS_LFOCAL firmware subroutine. This subroutine turns on the RFM crystal oscillator and feeds a 500-kHz clock via the DX signal to the TPM1 for one cycle of the LFO, but first executes a test to verify the presence of the external XTAL. The measured time is used to calculate the correct value for the WDIV0:5 bits for a WCLK period of 1 second. The resulting value for use in the WDIV0:5 bits is returned in the accumulator. The user can decide whether to load the value to the WDIV0:5 bits or store for future reference. In case the returned value is out-of-range (i.e. the LFO is out of spec), the returned value will be truncated to the minimum or the maximum possible (\$0 or \$3F). The TPMS_LFOCAL subroutine cannot be used while the RFM is transmitting or the TPM1 is being used for another task. This routine will also consume more power due to the crystal oscillator running. This function accesses and writes data to the SIMOPT2 register. Since some of the bits in this register are write-once-only, it should be configured prior to calling this routine.
- **Stack size:** 9 bytes
- **Approx. Duration:** 1870 µs
- **Power Management:** This function executes entirely in RUN mode. It requires the MCU to be configured for 4-MHz bus clock, and the RFM to be enabled but not transmitting prior to making the call.

- **Interrupt Management:** This function does not await any interrupts. It WILL be affected by interrupts.
- **Resources:** TPM, SIMOPT2, RFM
- **Input Parameters:**
 - None
- **Returns:**
 - UINT8 u8WDIV: WDIV compensated value, or \$80 if the XTAL was not found.

Warning: This routine writes to SIMOPT2. Any configuration involving this register must be performed before calling this routine. Prior to calling this routine, the RFM must be turned on. The execution of this routine will change the contents of RFM registers. Specifically note that RF Direct Mode will be selected after its execution.

3.2.13 UINT8 TPMS_MFOCAL(void)

- **Description:** Performs MFO cross-check verification. This function will measure the bus clock relative to Dx, but first executes a test to verify the presence of the external XTAL. When error is zero, it returns "128." Any deviation from this value should be considered an error. This result can then be used to estimate the error in the RFBT setting. The TPMS_MFOCAL subroutine cannot be used while the RFM is transmitting or the TPM1 is being used for another task. This function accesses and writes data to the **SIMOPT2** register. Since some of the bits in this register are write-once-only, it should be configured prior to calling this routine.
- **Stack size:** 9 bytes
- **Approx. Duration:** 1821 μ s
- **Power Management:** This function executes entirely in RUN mode. It requires the MCU to be configured for 4 MHz bus clock, and the RFM to be enabled but not transmitting prior to making the call. It requires the MCU to be configured for 4-MHz bus clock, and the RFM to be enabled but not transmitting prior to making the call.
- **Interrupt Management:** This function does not await any interrupts. It **WILL** be affected by interrupts.
- **Resources:** TPM, SIMOPT2, RFM
- **Input Parameters:**
 - None
- **Returns:**
 - UINT8 u8Error: 128 when no error is found. Each LSB away from this value is equal to a 0.78% error. For example, if u8Error = 125, MFO has a -2.34% error, or is running at 122 kHz. 255 is reserved as an error code for when the external XTAL is not present.

Warning: This routine writes to SIMOPT2. Any configuration involving this register must be performed before calling this routine. Prior to calling this routine, the RFM must be turned on. The execution of this routine will change the contents of RFM registers. Specifically note that RF Direct Mode will be selected after its execution.

3.2.14 UINT16 TPMS_WAVG(UINT8 u8PNew, UINT16 u16POld, UINT8 u8PAvg)

- **Description:** This subroutine calculates a new weighed average value for a given new and old measurement readings by using the following equation:

$$u16NewAverage = \left((u16POld \times (u8AVG - 1) + u8PNew) / (u8AVG) \right) \quad (1)$$

- **Stack size:** 12 bytes
- **Approx. Duration:** 40 μ s (average of 2), 46 μ s (average of 4), 51 μ s (average of 8), 56 μ s (average of 16), 60 μ s (average of 32).
- **Power Management:** This function executes entirely in RUN mode.
- **Interrupt Management:** This function does not await any interrupts. It will not be affected by interrupts.
- **Resources:** N/A
- **Input Parameters:**
 - UINT8 u8Avg: Weight of the average. This value can be 2, 4, 8, 16, 32; any other value will return an incorrect response.
 - UINT16 u16Pold: Old average.
 - UINT8 u8PNew: New value to include in average.
- **Returns:**
 - UINT16 u8NewAverage: resulting weighed average of both old average and the new value (refer to Example 1).

3.2.15 void TPMS_RF_RESET(void)

- **Description:** This function sends a master reset to the RFM and reloads PLL trim values into the module. It requires the RFM to have been enabled previously.
- **Stack size:** 3 bytes
- **Approx. Duration:** 228 μ s
- **Power Management:** This function executes entirely in RUN mode.
- **Interrupt Management:** This function does not await any interrupts. It will not be affected by interrupts.
- **Resources:** RFM
- **Input Parameters:**
 - None
- **Returns:**
 - void

3.2.16 void TPMS_RF_READ_DATA(UINT8 u8Size, UINT8 *u8RAMBuffer, UINT8 u8RFMBuffer)

- **Description:** This function reads several consecutive bytes from the dedicated RFM buffer registers and copies them to a given address in RAM. It assumes that BUFF0 is location "0". The data is transferred from the LSB bit of the RFM data registers to the LSB of the target memory address (standard data bit order). This function manages the RFM's buffer paged memory.
 - In case the required buffer address is out of bounds, the routine will return "0" for that location.
- **Stack size:** 9 bytes
- **Approx. Duration:** 196 μ s (for 8 bytes, switching pages included).
- **Power Management:** This function executes entirely in RUN mode.
- **Interrupt Management:** This function does not await any interrupts. It will not be affected by interrupts.
- **Resources:** RFM
- **Input Parameters:**
 - UINT8 u8Size: Number of bytes to read.

- UINT8 *u8RamBuffer: Target memory location.
- UINT8 u8RFMBuffer: Buffer register (0 to 31) to read.
- **Returns:**
 - void

3.2.17 void TPMS_RF_READ_DATA_REVERSE(UINT8 u8Size, UINT8 *u8RAMBuffer, UINT8 u8RFMBuffer)

- **Description:** This function reads several consecutive bytes from the dedicated RFM buffer registers and copies them to a given address in RAM. It assumes that BUFF0 is location "0". The data is transferred from the LSB bit of each byte of the RFM data registers to the MSB of each of the bytes of the target memory address (reversed data bit order). This function manages the RFM's buffer paged memory.
 - In case the required buffer address is out of bounds, the routine will return "0" for that location.
- **Stack size:** 10 bytes
- **Approx. Duration:** 236 μ s (for 8 bytes, switching pages included).
- **Power Management:** This function executes entirely in RUN mode.
- **Interrupt Management:** This function does not await any interrupts. It will not be affected by interrupts.
- **Resources:** RFM
- **Input Parameters:**
 - UINT8 u8Size: Number of bytes to read.
 - UINT8 *u8RamBuffer: Target memory location.
 - UINT8 u8RFMBuffer: Buffer register (0 to 31) to read.
- **Returns:**
 - void

3.2.18 void TPMS_RF_WRITE_DATA(UINT8 u8Size, UINT8 *u8RAMBuffer, UINT8 u8RFMBuffer)

- **Description:** This function copies several consecutive bytes from RAM into the dedicated RFM Output Buffer. It assumes that BUFF0 is location "0". The data is transferred from the LSB bit of RAM to the LSB of the RFM data register (standard data bit order). This function manages the RFM's buffer paged-memory.
 - In case the destination buffer address is out of bounds, the register value will not be written.
- **Stack size:** 8 bytes
- **Approx. Duration:** 182 μ s (for 8 bytes, switching pages included).
- **Power Management:** This function executes entirely in RUN mode.
- **Interrupt Management:** This function does not await any interrupts. It will not be affected by interrupts.
- **Resources:** RFM
- **Input Parameters:**
 - UINT8 u8Size: Number of bytes to write.
 - UINT8 *u8RamBuffer: Source memory location.
 - UINT8 u8RFMBuffer: Starting buffer register (0 to 31) to write.
- **Returns:**
 - void

3.2.19 void TPMS_RF_WRITE_DATA_REVERSE(UINT8 u8Size, UINT8 *u8RAMBuffer, UINT8 u8RFMBuffer)

- **Description:** This function copies several consecutive bytes from RAM into the dedicated RFM Output Buffer. It assumes that BUFF0 is location "0". The data is transferred from the LSB bit of each byte in RAM to the MSB of each byte in the RFM data register (reversed data bit order). This function manages the RFM's buffer paged-memory.
 - In case the destination buffer address is out of bounds, the register value will not be written.
- **Stack size:** 9 bytes
- **Approx. Duration:** 242 μs (for 8 bytes, switching pages included).
- **Power Management:** This function executes entirely in RUN mode.
- **Interrupt Management:** This function does not await any interrupts. It will not be affected by interrupts.
- **Resources:** RFM
- **Input Parameters:**
 - UINT8 u8Size: Number of bytes to write.
 - UINT8 *u8RamBuffer: Source memory location.
 - UINT8 u8RFMBuffer: Starting buffer register (0 to 31) to write.
- **Returns:**
 - void

3.2.20 void TPMS_RF_CONFIG_DATA(UINT16 *u16RFParam)

- **Description:** This function is included for backward compatibility with the MPXY8300. This function configures the RFM for transmission. It does not configure inter-frame wait times, which must be configured manually.
- **Stack size:** 4 bytes
- **Approx. Duration:** 32 μs
- **Power Management:** This function executes entirely in RUN mode.
- **Interrupt Management:** This function does not await any interrupts. It will not be affected by interrupts.
- **Resources:** RFM
- **Input Parameters:**
 - UINT16* u16RFParam Format as described in [Table 20](#).

Table 20. u16RFParam array format

Index	Description
0	Refer to Table 21 for description
1	PLLA value
2	PLLB value

Table 21. Description of element 0 in the u16RFParam array

Bits	Description
15:8	Prescaler value. Described in data sheets as RFCR0.

Bits	Description
7	End Of Message- If '1', EOM is set, if '0', it's not set.
6	Polarity Bit - If '1', polarity is inverted, If '0', it is non-inverted.
5:4	Not used.
2:3	Encoding value.
1	Frequency selection - If '1', RFM is configured for 434 MHz, if '0', it is configured for 315 MHz.
0	Modulation - If '1', RFM is configured for FSK, if '0' it is configured for OOK.

- **Returns:**
 - void

3.2.21 void TPMS_RF_SET_TX(UINT8 u8BufferSize)

- **Description:** This function allows the RFM to transmit data previously loaded in the buffer. It should be called after the RF module has been enabled and configured.
- **Stack size:** 3 bytes
- **Approx. Duration:** 12 µs
- **Power Management:** This function executes entirely in RUN mode.
- **Interrupt Management:** This function does not await any interrupts. It will not be affected by interrupts.
- **Resources:** RFM
- **Input Parameters:**
 - UINT8 u8BufferSize: Number of bits in the buffer -1 (i.e. To transmit one bit, u8BufferSize should equal 0).
- **Returns:**
 - void

3.2.22 void TPMS_RF_DYNAMIC_POWER(UINT8 u8CompT, UINT8 u8CompV, UINT8* pu8PowerManagement)

- **Description:** Depending on the passed parameters, this function can:
 - Force the RF power setting (RFCFR2_PWR) to a passed value (when BIT5 of u8PowerManagement is clear).
 - Set the RF power setting (RFCFR2_PWR) dynamically based on voltage, temperature, and current carrier frequency (when BIT5 of u8PowerManagement is set). The target output level is 3 dBm across all voltages and temperatures, with some small variations. When this option is engaged, the routine limits settings to valid PWR settings - if the resulting value is above maximum allowed setting, the setting is set to maximum; if the resulting value is less than minimum allowed setting, the setting is set to the minimum.
 - When BIT5 of u8PowerManagement is set, find the best RF power setting (RFCFR2_PWR) dynamically based on voltage, temperature, and current carrier frequency in order to target 3 dBm as actual output power. This value of 3 dBm can be increased or decreased in given temperature ranges using the offsets (0.5 dBm/count) in the pu8PowerManagement array.
 - Similar to the case above, the user can specify a target power region with an offset.
- **Stack size:** 21 bytes

- **Approx. Duration:** 140 µs when using voltage, temperature; 22 µs when the power step is passed.
- **Power Management:** This function executes entirely in RUN mode.
- **Interrupt Management:** This function does not await any interrupts. It will not be affected by interrupts.
- **Resources:** RFM
- **Input Parameters:**
 - UINT8 u8CompT: Compensated temperature reading.
 - UINT8 u8CompV: Compensated voltage reading.
 - UINT8* pu8PowerManagement: This is a pointer to an array as described below:

Table 22. *pu8PowerManagement format

Index Value	Description
0	Dynamic Compensation switch as described in Table 23 .
1	Offset step for power target when temperature is higher than 92 °C. Negative values admitted.
2	Offset step for power target when temperature is lower than 92 °C and higher than 60 °C. Negative values admitted.
3	Offset step for power target when temperature is lower than 60 °C and higher than 43 °C. Negative values admitted.
4	Offset step for power target when temperature is lower than 43 °C and higher than 25 °C. Negative values admitted.
5	Offset step for power target when temperature is lower than 25 °C and higher than 0 °C. Negative values admitted.
6	Offset step for power target when temperature is lower than 0 °C and higher than -20 °C. Negative values admitted.
7	Offset step for power target when temperature is lower than -20 °C. Negative values admitted.

Table 23. pu8PowerManagement[0] format

BIT	Description
MSB	Not used
BIT6	Not used
BIT5	Dynamic compensation enable. If set, the function will decide what the optimal power setting is based on voltage and temperature; In this case, values stored in the pu8PowerManagement array, and corresponding to the temperature range will be added to the found target. If clear, BIT4:0 will be used to set the power level directly.
BIT4:0	When BIT5 is clear, the value passed here will be used to set the RF power step in the RFCR2 register directly.

- **Returns:**
 - void

Warning: *The RF Module must be turned on prior to calling this routine.*

3.2.23 void TPMS_MSG_INIT(void)

- **Description:** This function is to be called before using any MSG routine. It initializes PTA1 and PTA0 to their correct initial state for a simulated SPI.
- **Stack size:** 2 bytes
- **Approx. Duration:** 10 μ s
- **Power Management:** This function executes entirely in RUN mode.
- **Interrupt Management:** This function does not await any interrupts. It will not be affected by interrupts.
- **Resources:** Pins PTA1 and PTA0.
- **Input Parameters:**
 - None
- **Returns:**
 - void

3.2.24 UINT8 TPMS_MSG_READ(void)

- **Description:** This function is in charge to read any incoming message at a network level via an emulated serial interface on PTA1 and PTA0. As the master, the FXTH87xx02 manages the clock on PTA1. On falling edge of the clock, the module reads a new data bit on PTA0 (programmed as input), MSB first.
- **Stack size:** 2 bytes
- **Approx. Duration:** 80 μ s
- **Power Management:** This function executes entirely in RUN mode.
- **Interrupt Management:** This function does not await any interrupts. It will not be affected by interrupts.
- **Resources:** Pins PTA1 and PTA0.
- **Input Parameters:**
 - None
- **Returns:**
 - UINT8 u8ReadByte: Incoming byte from the emulated serial interface.

3.2.25 UINT8 TPMS_MSG_WRITE(UINT8 u8SendByte)

- **Description:** This function is in charge to write a message at a network level via an emulated serial interface on PTA1 and PTA0. As the master, the FXTH87xx02 manages the clock on PTA1. On rising edge of the clock, the module puts down a new data bit on PTA0 (programmed as output), MSB first.
- **Stack size:** 2 bytes
- **Approx. Duration:** 80 μ s
- **Power Management:** This function executes entirely in RUN mode.
- **Interrupt Management:** This function does not await any interrupts. It will not be affected by interrupts.
- **Resources:** Pins PTA1 and PTA0.
- **Input Parameters:**
 - UINT8 u8SendByte: Byte to be outputted through the emulated serial interface.
- **Returns:**
 - UINT8 u8ReadByte: Incoming byte from the emulated serial interface.

3.2.26 `UINT8 TPMS_CHECKSUM_XOR(UINT8 *u8Buffer, UINT8 u8Size, UINT8 u8Checksum)`

- **Description:** Calculates a checksum for the given buffer based on XOR operations.
- **Stack size:** 5 bytes
- **Approx. Duration:** 78 μ s for 8 bytes of data.
- **Power Management:** This function executes entirely in RUN mode.
- **Interrupt Management:** This function does not await any interrupts. It will not be affected by interrupts.
- **Resources:** N/A
- **Input Parameters:**
 - `UINT8 *u8Buffer`: Buffer where data is located.
 - `UINT8 u8Size`: Size of buffer (in bytes).
 - `UINT8 u8Checksum`: Previous checksum. This argument is useful when the function is used recursively. It must equal "0" if there is no previous data.
- **Returns:**
 - `UINT8 u8NewChecksum`: New calculated checksum.

3.2.27 `UINT8 TPMS_CRC8(UINT8 *u8Buffer, UINT8 u8Poly, UINT8 u8MBitSize, UINT8 u8Remainder)`

- **Description:** Calculates a CRC8 on a portion of the designated area.
- **Stack size:** 12 bytes
- **Approx. Duration:** 780 μ s for 8 bytes (64 bits) of data.
- **Power Management:** This function executes entirely in RUN mode.
- **Interrupt Management:** This function does not await any interrupts. It will not be affected by interrupts.
- **Resources:** N/A
- **Input Parameters:**
 - `UINT8 *u8Buffer`: Buffer where data is located.
 - `UINT8 u8Poly`: Polynomial to be used for calculating the CRC8.
 - `UINT8 u8MBitSize`: Size of the designated buffer (in bits)
 - `UINT8 u8Remainder`: Initial remainder. This argument is useful when the function is used recursively. It must equal "0" if there is no previous data.
- **Returns:**
 - `UINT8 u8NewCRC`: New calculated CRC8.

3.2.28 `UINT16 TPMS_CRC16(UINT8 *u8Buffer, UINT16 u16MByteSize, UINT16 u16Remainder)`

- **Description:** Calculates a CRC16 on a portion of the designated memory area by using a look-up table. Polynomial used is an inverted \$8005 (standard for CRC16).
- **Stack size:** 12 bytes
- **Approx. Duration:** 236 μ s for 8 bytes.
- **Power Management:** This function executes entirely in RUN mode.
- **Interrupt Management:** This function does not await any interrupts. It will not be affected by interrupts.
- **Resources:** N/A

- **Input Parameters:**
 - UINT8 *u8Buffer: Buffer where data is located.
 - UINT16 u16MByteSize: Size of the designated buffer (in bytes).
 - UINT16 u16Remainder: Initial remainder.
- **Returns:**
 - UINT16 u16NewCRC: New calculated CRC16.

3.2.29 UINT16 TPMS_SQUARE_ROOT(UINT16 u16Process)

- **Description:** Calculates a two-digit remainder of (square root * 10) using a fast algorithm.
- **Stack size:** 49 bytes
- **Approx. Duration:** 362 μs
- **Power Management:** This function executes entirely in RUN mode.
- **Interrupt Management:** This function does not await any interrupts. It will not be affected by interrupts.
- **Resources:** N/A
- **Input Parameters:**
 - UINT16 u16Process: The number from which to get the square root from.
- **Returns:**
 - UINT16 Root of the number * 10.

3.2.30 void TPMS_READ_ID(UINT8 *u8Code)

- **Description:** Copies the device's UniqueID and firmware version stored in firmware flash to RAM.
- **Stack size:** 2 bytes
- **Approx. Duration:** 17 μs
- **Power Management:** This function executes entirely in RUN mode.
- **Interrupt Management:** This function does not await any interrupts. It will not be affected by interrupts.
- **Resources:** N/A
- **Input Parameters:**
 - UINT8 *u8Code: RAM location where data will be copied. [Table 24](#) describes the format of the 6-bytes returned.

Table 24. u8Code format

Index	Description
0	Firmware version
1	Derivative descriptor
2:5	32-bit UniqueID

- **Returns:**
 - void

3.2.31 void TPMS_LF_ENABLE(UINT8 u8Switch)

- **Description:** Enables/disables the LFR module; Loads best-case-known LF settings for NXP-only LF registers.
- **Stack size:** 5 bytes
- **Approx. Duration:** 31 μ s
- **Power Management:** This function executes entirely in RUN mode.
- **Interrupt Management:** This function does not await any interrupts. It will not be affected by interrupts.
- **Resources:** LFR
- **Input Parameters:**
 - UINT8 u8Switch: Enable (non-zero) or disable (zero) LFR.
- **Returns:**
 - void

3.2.32 UINT8 TPMS_LF_READ_DATA(UINT8 *u8Buffer, UINT8 u8Count)

- **Description:** Once the user has configured and enabled the LFR, it is customary to go into a low-power state mode and wait for a datagram. After the first byte of an incoming datagram is successfully received, this function should be called immediately; It will receive the complete datagram and place it in RAM. Be careful to call the function upon reception of the first data byte (LFDRF flag) and not upon detection of the ID (LFIDF flag) in case the LFIDIE is enabled. This function assumes that the LFR module is configured accordingly for a Manchester reception; that the module's interrupts are enabled; and that the first byte has already been received and is waiting in the LFR received buffer. While waiting for the next byte, this function goes into STOP4. If the byte, for an unexpected reason, is not received, this function has a built-in time-out: After five continuous non-LFR interrupts, the function will assume a failed LFR reception and exit. In order to leave the routine as soon as possible after reception of all the data bytes it is recommended to enable the LF error interrupt (LFEIE). In summary, the two necessary interrupts to be enabled are LFDRIE and LFEIE.
- **Description:**
- **Stack size:** 7 bytes
- **Approx. Duration:** Data dependant; ~2 ms per byte received.
- **Power Management:** This function requires the core to be configured for STOP4 mode and running at full bus speed.
- **Interrupt Management:** This function utilizes the LFR interrupt to wake-up from STOP mode. It does not await any other interrupts and should not be affected by them.
- **Resources:** LFR
- **Input Parameters:**
 - UINT8 *u8Buffer: RAM Buffer where data will be placed.
 - UINT8 u8Count: Number of bytes expected.
- **Returns:**
 - UINT8 u8BytesReceived: Actual number of bytes received.

Warning: This function requires ~24 μ s from the moment it is called to the moment the first byte is copied into the RAM buffer. The user must consider this time when designing their firmware.

3.2.33 UINT8 TPMS_WIRE_AND_ADC_CHECK(UINT8 u8TestMask)

- **Description:** This function will check if there is any bonding wire failure between the embedded core and the P-cell; or between the core and the g-cell. It will also perform an optional a g-cell self-test, and/or an ADC test. The latter will consist on taking two reference measurements (ground and V_{DD}) using internal channels and comparing them with the expected results. The optional g-cell self-test sends a self-test signal and verifies that the g-cell deflects as expected. It can only be called when the device is in parking or static mode. When configuring for a P-cell or g-cell wire check, Interrupts must be enabled before calling this routine. In case of no issues found, "0" will be returned, else it will set status flags as follows:
 - On P-cell wire-bond error, sets "pressure error" flag.
 - On g-cell wire-bond or self-test error, sets "acceleration error" flag.
 - On ADC error, sets the "ADCERR" flag.
- **Stack size:** Up to 36 bytes.
- **Approx. Duration:** 11,865 μ s (all checks), 104 μ s (ADC only), 3,087 μ s (P-cell only), 3,087 μ s (g-cell wire-bond only), 5622 μ s (g-cell self-test only).
- **Power Management:** This function requires the core to be configured for STOP4 mode and running at full bus speed.
- **Interrupt Management:** This function utilizes the ADC interrupt to wake-up from STOP mode.
- **Resources:** ADC, SMI (for g-cell, P-cell checks), internal bond wires.
- **Input Parameters:**
 - UINT8 u8TestMask: This variable determines what checks are performed as described by [Table 25](#).

Table 25. u8TestMask format

u8TestMask Bit	Description
BIT0	Reserved.
BIT1	If set, g-cell Self-test performed. Refer to warning below.
BIT2	If set, P-cell wire-bond check performed.
BIT3	Reserved.
BIT4	If set, g-cell wire-bond check performed.
BIT5:6	Reserved.
BIT7	If set, ADC check performed.

- **Returns:**
 - UINT8 u8Status: Status flags as described in [Table 26](#).

Table 26. u8Status valid values for TPMS_WIRE_AND_ADC_CHECK

u8TestMask Bit	Description
BIT0	Always clear.
BIT1	Always clear.
BIT2	If set, P-cell wire-bond error detected.
BIT3	Always clear.
BIT4	If set, g-cell wire-bond or self-test error detected.

u8TestMask Bit	Description
BIT5:6	Always clear.
BIT7	If set, ADC error detected.

Warning: The self-test option will only return valid readings when the device is static (i.e. the vehicle is not moving). It is the user's responsibility to ensure it is only called while in parking or static mode.

3.2.34 void TPMS_FLASH_WRITE(UINT16 u16Address, UINT8* u8Buffer, UINT8 u8Size)

- **Description:** This function writes consecutive bytes from a given address in memory to a specified location in FLASH.
- **Stack size:** 15 bytes
- **Approx. Duration:** 1310 μ s for 8 bytes of data.
- **Power Management:** This function executes entirely in RUN mode.
- **Interrupt Management:** This function does not await any interrupts. It will be affected by interrupts.
- **Resources:** Global RAM locations \$0090 - \$00CA.
- **Input Parameters:**
 - UINT16 u16Address: Flash starting address.
 - UINT8 *u8Buffer: Source memory address.
 - UINT8 u8Size: Number of data bytes to be written.
- **Returns:**
 - void

Warning: This routine will overwrite the contents of RAM locations \$0090 - \$00CA.

3.2.35 UINT16 TPMS_FLASH_CHECK(void)

- **Description:** This function calculates the CRC16 checksum for the NXP firmware area (addresses \$E000 - FFAD) using the function TPMS_CRC16. It compares it with a pre-calculated stored value and reports if these two values match or not.
- **Stack size:** 16 bytes
- **Approx. Duration:** 226,603 μ s
- **Power Management:** This function executes entirely in RUN mode.
- **Interrupt Management:** This function does not await any interrupts. It will not be affected by interrupts.
- **Resources:** N/A
- **Input Parameters:**
 - None.
- **Returns:**
 - UINT16 u16Status: "0" in case the calculated checksum and the stored one are the same, or the calculated checksum in case they are different.

3.2.36 UINT8 TPMS_FLASH_ERASE(UINT16 u16Address)

- **Description:** This function erases 1 page (512 bytes) of flash at a time.
- **Stack size:** 11 bytes

- **Approx. Duration:** 22,750 μ s
- **Power Management:** This function executes entirely in RUN mode.
- **Interrupt Management:** This function does not await any interrupts. It may be affected by interrupts.
- **Resources:** Global RAM locations \$0090 - \$00CA.
- **Input Parameters:**
 - UINT16 u16Address: any given address. The whole page where this address resides will be erased (i.e. if u16Address = \$D234, the contents of addresses \$D200 - \$D3FF will be erased).
- **Returns:**
 - Zero if the page was erased successfully; else, one.

Warning: This routine will overwrite the contents of RAM locations \$0090- \$00CA.

3.2.37 UINT8 TPMS_READ_DYNAMIC_ACCEL(UINT8 u8Filter, UINT8* u8Offset, UINT16* u16UUMA)

- **Description:** This function automatically executes a TPMS_READ_ACCELERATION measurement with a given initial dynamic offset. If the result is too high or too low, it will change the dynamic offset value and re-execute TPMS_READ_ACCELERATION until a) the result is valid or b) the result is railed high or low and there are no more offset steps. Offset and uncompensated acceleration inside the UUMA are updated.
- **Stack size:** 48 bytes
- **Approx. Duration:** 2950 μ s when starting offset is in target; 29050 μ s when the offset is 10 steps away.
- **Power Management:** This function requires the core to be configured for STOP4 mode and running at full bus speed.
- **Interrupt Management:** This function utilizes the ADC interrupt to wake-up from STOP mode.
- **Resources:** SMI, ADC, internal bond wires.
- **Input Parameters:**
 - UINT8 u8FiltSelect: If non-zero, 250-Hz filter enabled. Otherwise, 500-Hz filter selected.
 - UINT8* u8Offset: Pointer to initial offset step to load. Valid offset steps range from 0 - 15 and are described in the device's data sheet. An updated offset value is returned at the end of the function. In case the acceleration is too high or too low and function has run out of offset steps, a value of 255 ("0 - 1") or 16 ("15 + 1") shall be returned.
 - UINT16* Pointer to the Universal Uncompensated Measurement Array. Uncompensated acceleration will be updated accordingly.
- **Returns:**
 - UINT8 u8Status: Refer to TPMS_READ_ACCELERATION for more information on the format of this status byte.

3.2.38 void TPMS_RF_ENABLE(UINT8 u8Switch)

- **Description:** This function enables or disables the RF module in the FXTH87xx02 and transfers adequate PLL trim data to the module. It should be called prior to any other RF operation.
- **Stack size:** 4 bytes
- **Approx. Duration:** 378 μ s when turning on; 11.2 μ s when turning off.

- **Power Management:** This function executes entirely in RUN mode.
- **Interrupt Management:** This function does not await any interrupts. It will be affected by interrupts.
- **Resources:** SIMOPT1, RFM.
- **Input Parameters:**
 - UINT8 u8Switch: Enable (non-zero) or disable (zero) RFM.
- **Returns:**
 - void.

Warning: This routine writes to SIMOPT1. Any configuration involving this register must be performed before calling this routine.

3.2.39 UINT8 TPMS_FLASH_PROTECTION(UINT16 u16Key)

- **Description:** This function enables flash protection for the complete user block. After its execution, both TPMS_FLASH_WRITE and TPMS_FLASH_ERASE will become disabled permanently. Re-programming of the device can only be achieved through BDM after execution of this routine.
- **Stack size:** Up to 11 bytes
- **Approx. Duration:** 746 μs for a successful attempt; 21 μs for a failed attempt.
- **Power Management:** This function executes entirely in RUN mode.
- **Interrupt Management:** This function does not await any interrupts. It will be affected by interrupts.
- **Resources:** Global RAM locations \$0090 - \$00CA.
- **Input Parameters:**
 - UINT16 u16Key: Due to the irreversible status after the execution of this routine, this argument is used as a fail-safe to guarantee desired execution of the function. Only when u16Key is equal to the least-significant word of the UniqueID will this function execute successfully.
- **Returns:** UINT8 u8Status: according to [Table 27](#).

Table 27. Possible status values for TPMS_FLASH_PROTECTION

Return Value	Description
\$0	u16Key matches lower 16-bits of UniqueID; protection was disabled and now is enabled. (Success)
\$1	u16Key does not match lower 16-bits of UniqueID; protection was disabled and continues to be so.
\$2	Protection was already enabled.
\$4	u16Key matches lower 16-bits of UniqueID; protection was disabled and continues to be so (Failed writing protection)
All others	Reserved

Warning: This routine can only be executed once. After successful execution of this routine, TPMS_FLASH_WRITE and TPMS_FLASH_ERASE will be permanently disabled.

3.2.40 void TPMS_MULT_SIGN_INT16(INT16 i16Mult1, INT16 i16Mult2, INT32* pi32Result)

- **Description:** This function will multiply two signed 16-bit numbers together.
- **Stack size:** 17 bytes
- **Approx. Duration:** 68.1 μ s
- **Power Management:** This function executes entirely in RUN mode.
- **Interrupt Management:** This function does not await any interrupts. It should not be affected by interrupts.
- **Resources:** N/A
- **Input Parameters:**
 - INT16 i16Mult1: First multiplier
 - INT16 i16Mult2: Second multiplier
 - INT32* pi32Result: Pointer to a 32-bit variable where the result will be stored.
- **Returns:**
 - void.

3.2.41 UINT8 TPMS_VREG_CHECK(UINT8 u8WaitTime, UINT16 u16LimitDelta)

- **Description:** This function will verify if the part has a capacitor properly connected on the V_{REG} pin. This is done by starting an RF transmission; taking an ADC reading of the V_{REG} pin 3 ms after; ending the transmission, awaiting a pre-established amount of time; taking a second ADC reading of the V_{REG} pin; and comparing both values.
- **Stack size:** 29 bytes
- **Approx. Duration:** 29,300 μ s using default values; time will vary depending on user input.
- **Power Management:** This function requires the core to be configured for STOP4 mode and running at full bus speed.
- **Interrupt Management:** This function utilizes an ADC interrupt to wake-up from STOP mode.
- **Resources:** TPM, RFM, SPMSC2.
- **Input Parameters:**
 - UINT8 u8WaitTime: Amount of time to wait between the end of an RF transmission and the second ADC reading (in ms). If zero, it is assumed that a 470 nF capacitor is being used and the default wait time for this capacitor is used.
 - UINT16 u16LimitDelta: This value (in ADC counts) will determine whether the V_{REG} pin passes the test or it doesn't. It is dependant on the capacitor value and on the value of u8WaitTime, and must be obtained through characterization. If zero, it is assumed that a 470 nF capacitor is being used and the default limit is used.
- **Returns:**
 - UINT8 u8Status: If clear, the function has detected good contact with the capacitor; if one, the capacitor has failed the test.

Warning: Write-once register SPMSC2 will be used. Also note that calling this function will start an RF transmission for ~3 ms. Previously set RF settings, such as carrier frequency and PLL dividers, are respected in this short RF burst. Before exiting this function, the RF module will be shut down.

3.2.42 UINT8 TPMS_PRECHARGE_VREG(UINT8 u8TPMWaitUnits, UINT8 u8PTAMask)

- **Description:** This function allows to pre-charge the cap connected to the external V_{REG} pin assuming a PTA pin is connected to it. It will make PTA high and continuously take ADC readings on V_{REG} , while simultaneously running the TPM. As soon as $V_{DD} / 2$ is reached or the timer expires, PTA will be made into an input and the function will exit.
- **Stack size:** 25 bytes
- **Approx. Duration:** ~360 μ s when $u8TPMWaitUnits = 1$ and the cap connected to V_{REG} is not successfully charged before this time.
- **Power Management:** This function requires the core to be configured for STOP4 mode and running at full bus speed.
- **Interrupt Management:** This function utilizes an ADC interrupt to wake-up from STOP mode.
- **Resources:** TPM, ADC, PTA, V_{REG}
- **Input Parameters:**
 - UINT8 $u8TPMWaitUnits$: Amount of time that TPM should allow to pass before timing-out. Each unit is ~300 μ s. (i.e., if $u8TPMWaitUnits = 2$, ~580 μ s will pass before the function exits in case the capacitor on V_{REG} is not fully charged. TPM will be stopped while the part goes into STOP4; therefore, timing used in this argument is used for an approximation value only).
 - UINT8 $u8PTAMask$: analogous to the PTAD mask, this variable selects which pin(s) will be driven high to charge V_{REG} (i.e. if $PTAD = 1$, PTA0 will be used; if $PTAD = 4$, PTA2 will be used).
- **Returns:** UINT8 $u8Status$: Status flags as described in [Table 28](#).

Table 28. $u8Status$ valid values for TPMS_PRECHARGE_VREG

$u8TestMask$ Bit	Description
BIT0	If set, there was a problem with the internal ADC conversion.
BIT1	Always clear.
BIT2	Always clear.
BIT3	If set, timer overflowed before reaching $V_{DD} / 2$ on V_{REG} .
BIT4	Always clear.
BIT5:6	Always clear.
BIT7	Always clear.

3.2.43 UINT8 TPMS_RDE_ADJUST_PRESSURE(UINT16* pu16UUMA, T_RDE* ptRDEValues)

- **Description:** This routine's functionality has been removed, but its prototype is still callable for backward compatibility. It always returns CLEAR, and doesn't affect any passed argument.
- **Stack size:** 7 bytes.
- **Approx. Duration:** 85 μ s
- **Power Management:** Interrupt Management: This function does not await any interrupts. It should not be affected by interrupts.
- **Resources:** Core
- **Input Parameters:**

- UINT16 *pu16UUMA: Pointer to Universal Uncompensated Measurement Array (as described in [Section 2.3](#)). No values are affected.
- T_RDE* ptRDEValues: Pointer to an array of elements. For more information on the RDE structure, refer to [Section 2.5](#).
- **Returns:** UINT8 u8Status: Always CLEAR.

3.2.44 UINT8 TPMS_READ_ACCEL_CONT_START(UINT8 u8Filter, UINT8 u8DynamicOffset, UINT8 u8SampleSpeed)

- **Description:** This function configures the accelerometer to start taking continuous measurements until instructed to stopped by a call to TPMS_READ_ACCEL_CONT_STOP. At least one call to TPMS_READ_ACCEL_CONT is required to read back the measurement. Global variable TPMS_CONT_ACCEL_GLOBAL_VARIABLE is used to keep track of the sampling rate.
- **Stack size:** Up to 18 bytes
- **Approx. Duration:** 116 μ s with 500-Hz filter; 1490 μ s with 250-Hz filter. Approximately 439 bus clock cycles (and overlapping 1 MFO cycle at bus clock = 4 MHz) for 500 Hz. Approximately 492 bus clock cycles and 156 MFO cycles for 250 Hz.
- **Power Management:** This function executes entirely in RUN mode.
- **Interrupt Management:** This function configures the ADC to interrupt the MCU periodically after an acceleration measurement. It does not expect any interrupts.
- **Resources:** ADC, SMI, internal bond wires. After calling this routine, and before calling TPMS_READ_ACCEL_CONT_STOP, the following functions shall not be used:
 - TPMS_READ_VOLTAGE
 - TPMS_READ_TEMPERATURE
 - TPMS_READ_PRESSURE
 - TPMS_READ_ACCELERATION
 - TPMS_READ_V0
 - TPMS_READ_V1
- **Input Parameters:**
 - UINT8 u8Filter: If zero, a low-pass 500-Hz filter is used. Else, a low-pass 250-Hz filter is used.
 - UINT8 u8DynamicOffset: Selects the offset setting for the appropriate acceleration reading. Default index is 6.
 - UINT8 u8SampleSpeed: A value which establishes the accelerometer sample rate after an initial filter-settling period of 312 MFO clock cycles.
- **Returns:**
 - UINT8 u8Status: Clear if normal execution of the function occurs, set to a value in case a 250-Hz filter setting has been requested and the settling period has failed.

Warning: This function starts an acceleration measurement, but does not await its completion. In order to guarantee an in-spec reading, the user must ensure that conversion(s) at the end of the filter-settling period take place with the MCU in STOP4 mode.

3.2.45 UINT8 TPMS_READ_ACCEL_CONT(UINT16* pu16Measurement)

- **Description:** This function assumes that TPMS_READ_ACCEL_CONT_START has been called and that the SMI is producing periodic acceleration readings. By calling this

function, the ADC will be polled and the latest result, if available, will be placed into the location pointed by pu16Measurement.

- **Stack size:** 14 bytes
- **Approx. Duration:** 66 μs when data is ready. Approximately 268 bus clock cycles (and overlapping 8 MFO clocks at bus clock = 4 MHz) when data is ready. Approximately 69 bus clock cycles (and overlapping 3 MFO cycles at bus clock = 4 MHz) when data is not ready.
- **Power Management:** This function executes entirely in RUN mode.
- **Interrupt Management:** This function performs entirely in RUN mode. It does not expect any interrupts.
- **Resources:** ADC, SMI, internal bond wires.
- **Input Parameters:**
 - UINT16* pu16Measurement: Pointer to where the measurement, if available, should be placed.
- **Returns:** Clear if an updated acceleration measurement is available, set if there hasn't been an update or if the measurement is outside the expected range.

Table 29. Valid u8SampleSpeed values and their corresponding sampling rate

u8SampleSpeed	Nominal waiting time		Number of MFO clock cycles	
	FXTH87	FXTH87E	FXTH87	FXTH87E
0				
	64 μs	312 μs	8	39
1	625 μs		78	
2	1.25 ms		156	
3	2.5 ms		312	

Warning: This function takes approximately as long to execute as the fastest sampling rate set in TPMS_READ_ACCEL_CONT_START. Avoid this setting if possible.

Warning: In order to guarantee an in-spec reading, the user must ensure that conversion(s) at the end of the filter-settling period take place with the MCU in STOP4 mode.

3.2.46 UINT8 TPMS_READ_ACCEL_CONT_STOP(void)

- **Description:** This function shall be called after TPMS_READ_ACCEL_CONT_START has been called and no further acceleration measurements are required.
- **Stack size:** 4 bytes
- **Approx. Duration:** 12 μs. Approximately 39 bus clock cycles.
- **Power Management:** This function executes entirely in RUN mode.
- **Interrupt Management:** This function performs entirely in RUN mode. It does not expect any interrupts.
- **Resources:** ADC, SMI, internal bond wires.
- **Input Parameters:**
 - None
- **Returns:** Always clear.

4 Revision history

Revision history

Revision number	Date	Description
2.2	2017-04-05	<ul style="list-style-type: none"> • The format of this data sheet has been redesigned to comply with the new identity guidelines of NXP Semiconductors. Legal texts have been adapted to the new company name where appropriate. • Changed "usec" to "µs" throughout document. • Changed "VReg" to "V_{REG}" throughout document. • Added "If an LFR interrupt occurs while a firmware function is under execution, the LFR User Interrupt Vector will not be accessed, and the bit 2 (Table 2) will be the only indication available. Users should check this bit, either prior to entering the firmware function or after the firmware function, to assure LF interrupts are not missed. Also, a number of firmware functions utilize the Stop1 or Stop4 modes, which disable the hardware Watch-dog block. In order to provide a back-up recovery, users should utilize either the RTI or PWU which can be programmed for interrupt if a software or firmware routine has consumed too much time. The Watch-dog is automatically restarted when the program goes back in RUN mode." after the second sentence in the first paragraph of Section 2.1.1. • Added a fourth column identifying the section and creating hyperlinks to each section within Table 7 of Section 3.1. • Changed references to "WDIV" and "WDIV register" to "WDIV0:5 bits" at three locations within the description item of Section 3.2.12. • Removed "and configured for OOK transmission" from the Warnings located in Section 3.2.12 and Section 3.2.13. • Added new item under the description item "When BIT5 of u8PowerManagement is set, find the best RF power setting (RFCFR2_PWR) dynamically based on voltage, temperature, and current carrier frequency in order to target 3 dBm as actual output power. This value of 3 dBm can be increased or decreased in given temperature ranges using the offsets (0.5 dBm/count) in the pu8PowerManagement array." in Section 3.2.22. • Moved the descriptions for index values 1 to 7, 7 to 1, 2 to 6, 6 to 2, 3 to 5 and 5 to 3 respectively in Table 22 of Section 3.2.22. • Added "Be careful to call the function upon reception of the first data byte (LFDRF flag) and not upon detection of the ID (LFIDF flag) in case the LFIDIE is enabled." after "... and place it in RAM." in the description item of Section 3.2.32. • Added "In order to leave the routine as soon as possible after reception of all the data bytes it is recommended to enable the LF error interrupt (LFRERIE). In summary, the two necessary interrupts to be enabled are LFRDRIE and LFRERIE." to the end of the description item of Section 3.2.32. • Removed "as shown in Figure 3-10" and "as shown in Figure 3-21" from the input parameters items of Section 3.2.44. • Added values for FXTH87E in the Nominal waiting time and Number of MFO clock cycle columns of U8SampleSpeed 0 with values of 312 µs and 39 respectively in Table 29 of Section 3.2.45.
2.1	2014-10	<ul style="list-style-type: none"> • Changed Bit 4 and Bit 3 value for register LFCTRLD from 0 to 1 in Table 5 of Section 2.6. • Changed Bit 4 and Bit 3 value for register LFCTRLD from 0 to 1 in Table 6 of Section 2.6.

Revision number	Date	Description
2.0	2014-10	<ul style="list-style-type: none"> Removed "Xtrinsic" from document title. Removed sentence "Some functionality may not be present in all derivatives." from the first paragraph of Section 1. Changed the reference for TPMS_CONT_ACCEL_GLOBAL_VARIABLE from Section 2.2.1 to Section 2.1.2 in Table 1 of Section 2.1. Added Section 2.1.2. Changed incorrect reference from "Table 1" to "Figure 1" in Section 2.2.1. Updated references from "G-Cell" and "G-cell" to "g-cell" throughout document. Added Section 2.6. Revised Table 15 in Section 3.2.8. Revised second item of input parameters from "UINT8* u8Offset: Pointer to initial offset level to load into SMI according to Table 15. An updated offset value is returned at the end of the function" to "UINT8* u8Offset: Pointer to initial offset step to load. Valid offset steps range from 0 - 15 and are described in the device's data sheet. An updated offset value is returned at the end of the function. In case the acceleration is too high or too low and function has run out of offset steps, a value of 255 ("0 - 1") or 16 ("15 + 1") shall be returned." in Section 3.2.37.
1.0	2014-07	Initial release.

5 Legal information

5.1 Definitions

Draft — The document is a draft version only. The content is still under internal review and subject to formal approval, which may result in modifications or additions. NXP Semiconductors does not give any representations or warranties as to the accuracy or completeness of information included herein and shall have no liability for the consequences of use of such information.

5.2 Disclaimers

Information in this document is provided solely to enable system and software implementers to use NXP products. There are no express or implied copyright licenses granted hereunder to design or fabricate any integrated circuits based on the information in this document. NXP reserves the right to make changes without further notice to any products herein.

NXP makes no warranty, representation, or guarantee regarding the suitability of its products for any particular purpose, nor does NXP assume

any liability arising out of the application or use of any product or circuit, and specifically disclaims any and all liability, including without limitation consequential or incidental damages. "Typical" parameters that may be provided in NXP data sheets and/or specifications can and do vary in different applications, and actual performance may vary over time. All operating parameters, including "typicals," must be validated for each customer application by customer's technical experts. NXP does not convey any license under its patent rights nor the rights of others. NXP sells products pursuant to standard terms and conditions of sale, which can be found at the following address: nxp.com/salestermsandconditions.

5.3 Trademarks

Notice: All referenced brands, product names, service names and trademarks are the property of their respective owners.

NXP — is a trademark of NXP B.V.

the NXP logo — is a trademark of NXP B.V.

Freescale — is a trademark of NXP B.V.

the Freescale logo — is a trademark of NXP B.V.

Tables

Tab. 1.	Global variable and their locations	2	Tab. 15.	Approximate duration for TPMS_READ_ACCELERATION	17
Tab. 2.	TPMS_INTERRUPT_FLAG format and trigger conditions	2	Tab. 16.	u8ModeSelect options	19
Tab. 3.	Error status fields	4	Tab. 17.	Valid output conditions for TPMS_READ_ACCELERATION	19
Tab. 4.	Universal uncompensated measurement array	5	Tab. 18.	Valid output conditions for TPMS_COMP_ACCELERATION	20
Tab. 5.	Customer-configurable TMPS7 and LF Register with SENS = 1	7	Tab. 19.	Valid output conditions for TPMS_READ_V0 and TPMS_READ_V1	21
Tab. 6.	Customer-configurable TMPS and LF Register with SENS = 2	8	Tab. 20.	u16RFPParam array format	25
Tab. 7.	FXTH87xx02's firmware function jump table	9	Tab. 21.	Description of element 0 in the u16RFPParam array	25
Tab. 8.	Valid output conditions for TPMS_READ_VOLTAGE	11	Tab. 22.	*pu8PowerManagement format	27
Tab. 9.	Valid output conditions for TPMS_COMP_VOLTAGE	12	Tab. 23.	pu8PowerManagement[0] format	27
Tab. 10.	Valid output conditions for TPMS_READ_TEMPERATURE	13	Tab. 24.	u8Code format	30
Tab. 11.	Valid output conditions for TPMS_COMP_TEMPERATURE	14	Tab. 25.	u8TestMask format	32
Tab. 12.	Approximate duration for TPMS_READ_PRESSURE	14	Tab. 26.	u8Status valid values for TPMS_WIRE_AND_ADC_CHECK	32
Tab. 13.	Valid output conditions for TPMS_READ_PRESSURE	15	Tab. 27.	Possible status values for TPMS_FLASH_PROTECTION	35
Tab. 14.	Valid output conditions for TPMS_COMP_PRESSURE	16	Tab. 28.	u8Status valid values for TPMS_PRECHARGE_VREG	37
			Tab. 29.	Valid u8SampleSpeed values and their corresponding sampling rate	39

Figures

Fig. 1. Measurement signal range definitions4 Fig. 2. Description of the physical layer on the
FXTH87xx02 simulated SPI interface 6

Contents

1	Introduction	1	3.2.18	void TPMS_RF_WRITE_DATA(UINT8 u8Size, UINT8 *u8RAMBuffer, UINT8 u8RFMBuffer)	24
2	Globals and formats	2	3.2.19	void TPMS_RF_WRITE_DATA_REVERSE(UINT8 u8Size, UINT8 *u8RAMBuffer, UINT8 u8RFMBuffer)	25
2.1	Global variables	2	3.2.20	void TPMS_RF_CONFIG_DATA(UINT16 *u16RFPParam)	25
2.1.1	TPMS_INTERRUPT_FLAG	2	3.2.21	void TPMS_RF_SET_TX(UINT8 u8BufferSize)	26
2.1.2	TPMS_CONT_ACCEL_GLOBAL_VARIABLE	3	3.2.22	void TPMS_RF_DYNAMIC_POWER(UINT8 u8CompT, UINT8 u8CompV, UINT8* pu8PowerManagement)	26
2.2	Measurement error format	3	3.2.23	void TPMS_MSG_INIT(void)	28
2.2.1	Definition of signal ranges	3	3.2.24	UINT8 TPMS_MSG_READ(void)	28
2.2.2	Error status format	4	3.2.25	UINT8 TPMS_MSG_WRITE(UINT8 u8SendByte)	28
2.3	Universal uncompensated measurement array (UUMA) format	5	3.2.26	UINT8 TPMS_CHECKSUM_XOR(UINT8 *u8Buffer, UINT8 u8Size, UINT8 u8Checksum)	29
2.4	Simulated SPI interface signal format	6	3.2.27	UINT8 TPMS_CRC8(UINT8 *u8Buffer, UINT8 u8Poly, UINT8 u8MBitSize, UINT8 u8Remainder)	29
2.5	Rapid decompression event array (T_RDE) format	7	3.2.28	UINT16 TPMS_CRC16(UINT8 *u8Buffer, UINT16 u16MByteSize, UINT16 u16Remainder)	29
2.6	LFR registers initialized by firmware	7	3.2.29	UINT16 TPMS_SQUARE_ROOT(UINT16 u16Process)	30
3	Firmware functions	9	3.2.30	void TPMS_READ_ID(UINT8 *u8Code)	30
3.1	Firmware jump table	9	3.2.31	void TPMS_LF_ENABLE(UINT8 u8Switch)	31
3.2	Function description	10	3.2.32	UINT8 TPMS_LF_READ_DATA(UINT8 *u8Buffer, UINT8 u8Count)	31
3.2.1	void TPMS_RESET(void)	10	3.2.33	UINT8 TPMS_WIRE_AND_ADC_CHECK(UINT8 u8TestMask)	32
3.2.2	UINT8 TPMS_READ_VOLTAGE(UINT16 *u16UUMA)	11	3.2.34	void TPMS_FLASH_WRITE(UINT16 u16Address, UINT8* u8Buffer, UINT8 u8Size)	33
3.2.3	UINT8 TPMS_COMP_VOLTAGE(UINT8 *u8CompVoltage, *UINT16 u16UUMA)	12	3.2.35	UINT16 TPMS_FLASH_CHECK(void)	33
3.2.4	UINT8 TPMS_READ_TEMPERATURE(UINT16 *u16UUMA)	12	3.2.36	UINT8 TPMS_FLASH_ERASE(UINT16 u16Address)	33
3.2.5	UINT8 TPMS_COMP_TEMPERATURE(UINT8 *u8Temp, UINT16 *u16UUMA)	13	3.2.37	UINT8 TPMS_READ_DYNAMIC_ACCEL(UINT8 u8Filter, UINT8* u8Offset, UINT16* u16UUMA)	34
3.2.6	UINT8 TPMS_READ_PRESSURE(UINT16 *u16UUMA, UINT8 u8Avg)	14	3.2.38	void TPMS_RF_ENABLE(UINT8 u8Switch)	34
3.2.7	UINT8 TPMS_COMP_PRESSURE(UINT16 *u16CompPressure, UINT16 *u16UUMA)	16	3.2.39	UINT8 TPMS_FLASH_PROTECTION(UINT16 u16Key)	35
3.2.8	UINT8 TPMS_READ_ACCELERATION(UINT16 *u16UUMA, UINT8 u8Avg, UINT8 u8ModeSelect, UINT8 u8DynamicOffset)	17	3.2.40	void TPMS_MULT_SIGN_INT16(INT16 i16Mult1, INT16 i16Mult2, INT32* pi32Result)	36
3.2.9	UINT8 TPMS_COMP_ACCELERATION(UINT16 *u16CompAccel, UINT16* u16UUMA)	19	3.2.41	UINT8 TPMS_VREG_CHECK(UINT8 u8WaitTime, UINT16 u16LimitDelta)	36
3.2.10	UINT8 TPMS_READ_V0(UINT16 *u16Result, UINT8 u8Avg)	20			
3.2.11	UINT8 TPMS_READ_V1(UINT16 *u16Result, UINT8 u8Avg)	21			
3.2.12	UINT8 TPMS_LFOCAL(void)	21			
3.2.13	UINT8 TPMS_MFOCAL(void)	22			
3.2.14	UINT16 TPMS_WAVG(UINT8 u8PNNew, UINT16 u16POld, UINT8 u8PAvg)	22			
3.2.15	void TPMS_RF_RESET(void)	23			
3.2.16	void TPMS_RF_READ_DATA(UINT8 u8Size, UINT8 *u8RAMBuffer, UINT8 u8RFMBuffer)	23			
3.2.17	void TPMS_RF_READ_DATA_REVERSE(UINT8 u8Size, UINT8 *u8RAMBuffer, UINT8 u8RFMBuffer)	24			

3.2.42 UINT8 TPMS_PRECHARGE_VREG(UINT8
u8TPMWaitUnits, UINT8 u8PTAMask) 37

3.2.43 UINT8
TPMS_RDE_ADJUST_PRESSURE(UINT16*
pu16UUMA, T_RDE* ptRDEValues) 37

3.2.44 UINT8
TPMS_READ_ACCEL_CONT_START(UINT8
u8Filter, UINT8 u8DynamicOffset, UINT8
u8SampleSpeed) 38

3.2.45 UINT8
TPMS_READ_ACCEL_CONT(UINT16*
pu16Measurement) 38

3.2.46 UINT8
TPMS_READ_ACCEL_CONT_STOP(void) 39

4 Revision history 40

5 Legal information 42

Please be aware that important notices concerning this document and the product(s) described herein, have been included in section 'Legal information'.

© NXP B.V. 2017.

All rights reserved.

For more information, please visit: <http://www.nxp.com>

For sales office addresses, please send an email to: salesaddresses@nxp.com

Date of release: 5 April 2017