
HA13532NT

Three-Phase Stepping Motor Control IC

HITACHI

ADE-207-121A (Z)
2nd Edition
July 1996

Description

The HA13532NT is an IC for control a three-phase stepping motor.

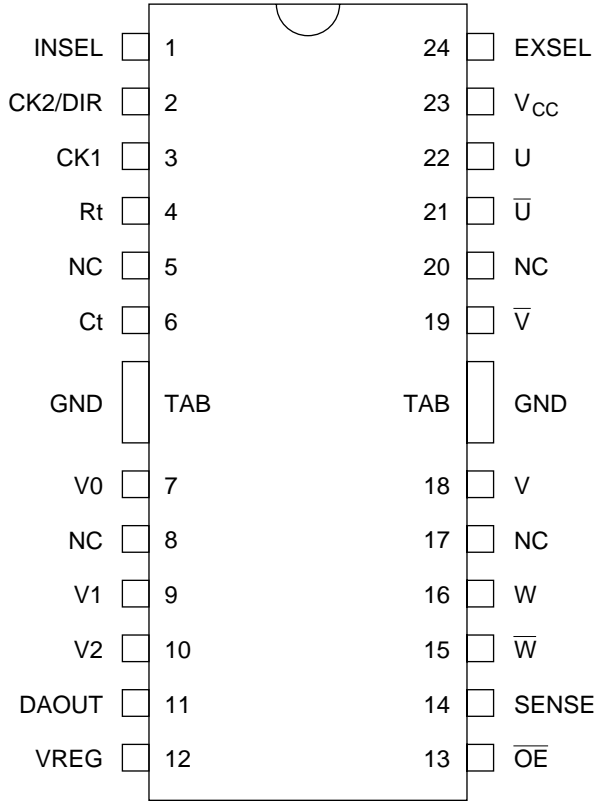
Functions

- PWM current control
- Low-voltage inhibit (LVI)
- Three-bit D/A converter for current programming
- Motor on/off
- Selectable 2-phase or 2-3-phase exciting

Features

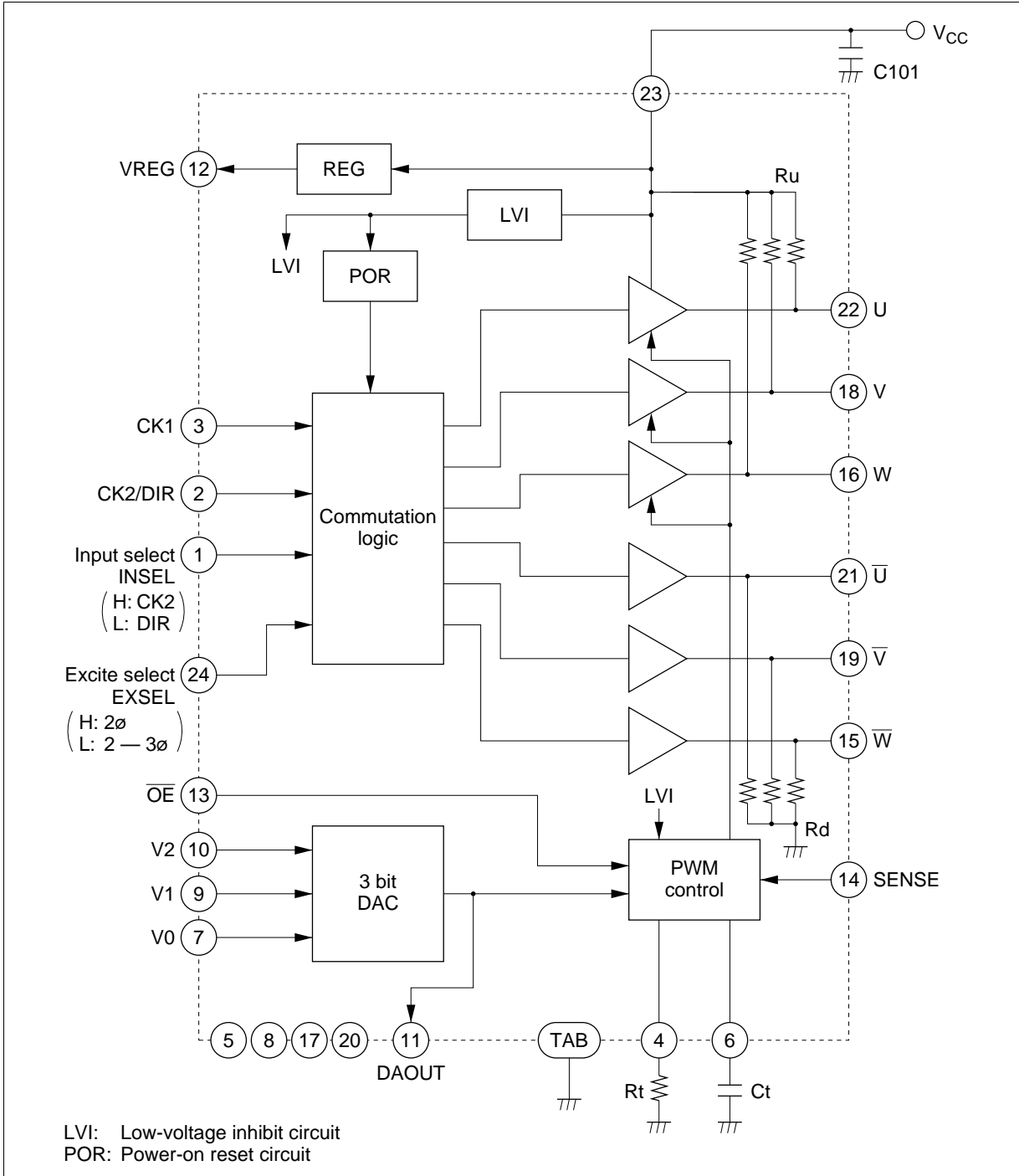
- Wide operating voltage range
- Few external components

Pin Arrangement



(Top view)

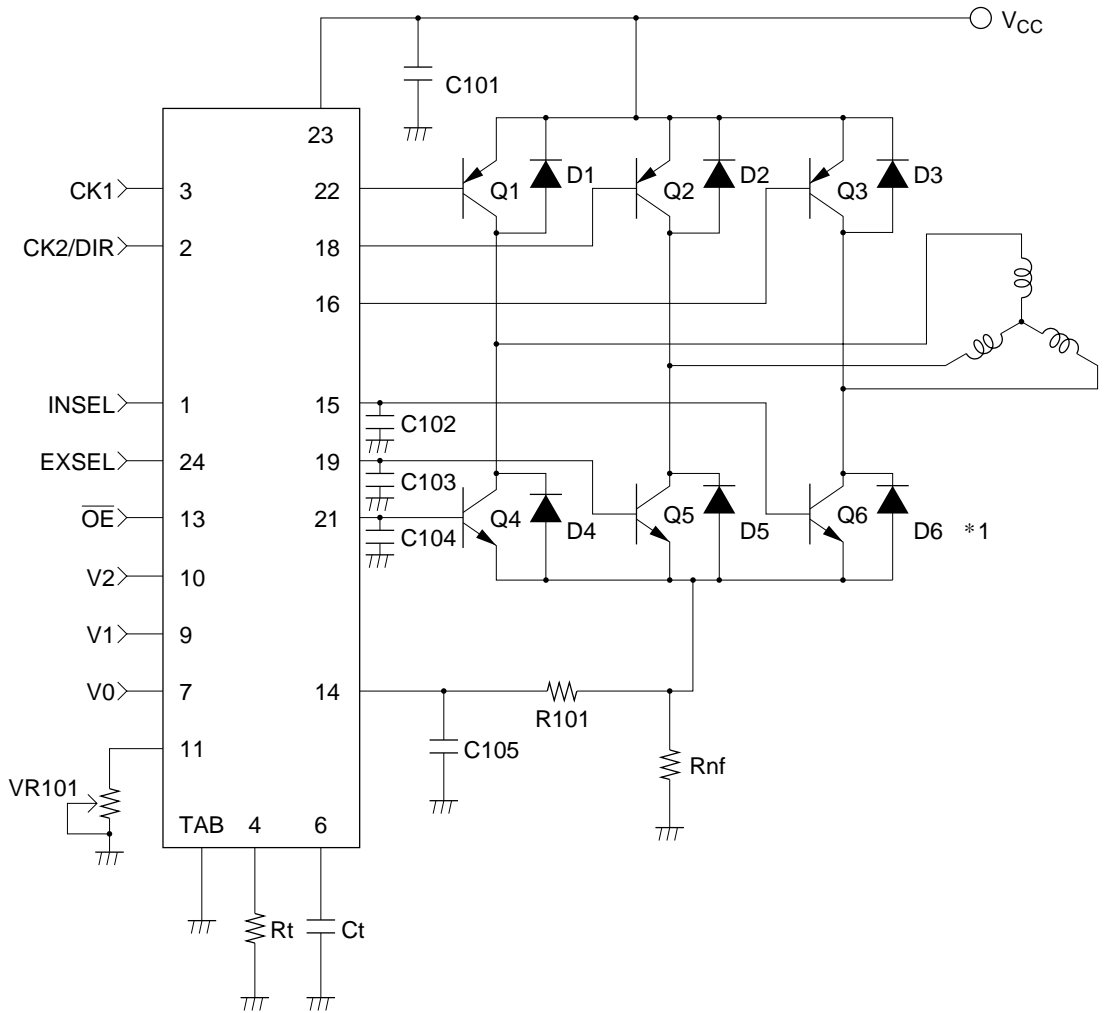
Block Diagram



Pin Description

Pin No.	Pin Name	Function	Pin Voltage
1	INSEL	Selects pin 2 input: CK2 if high; DIR if low (see timing diagrams)	$V_{TH} = 2.5 \text{ V typ}$
2	CK2/DIR	CK2 or DIR input (see timing diagrams)	$V_{TH} = 2.5 \text{ V typ}$
3	CK1	CK1 input (see timing diagrams)	$V_{TH} = 2.5 \text{ V typ}$
4	Rt	Reference value for 3-phase output current and Ct charge/discharge current	4.8 V typ
5	NC	No connection	
6	Ct	Time constant for PWM carrier frequency	
7	V0	Voltage programming input to DAC (LSB)	$V_{TH} = 2.5 \text{ V typ}$
8	NC	No connection	
9	V1	Voltage programming input to DAC	$V_{TH} = 2.5 \text{ V typ}$
10	V2	Voltage programming input to DAC (MSB)	$V_{TH} = 2.5 \text{ V typ}$
11	DAOUT	DAC output	
12	VREG	Regulated output	4.8 V typ (@I = 2 mA)
13	\overline{OE}	Output enable: low enables PWM output phases U, V, and W; high gives high impedance	$V_{TH} = 2.5 \text{ V typ}$
14	SENSE	Current feedback	0 V min, 5.0 V max
15	\overline{W}	Phase-W lower-arm output	
16	W	Phase-W upper-arm output	
17	NC	No connection	
18	V	Phase-V upper-arm output	
19	\overline{V}	Phase-U lower-arm output	
20	\overline{NC}	No connection	
21	\overline{U}	Phase-U lower-arm output	
22	U	Phase-U upper-arm output	
23	V _{CC}	Power supply	10 V min, 27.6 V max
24	EXSEL	Selects exciting mode: 2-phase if high; 2-3-phase if low (see timing diagrams)	$V_{TH} = 2.5 \text{ V typ}$

Application Circuit



Notes: 1. Use high-speed diodes for D4, D5, and D6.

External Components

Symbol	Recommended Value	Purpose	Notes
Rnf	$0.11 \Omega \leq Rnf \leq 0.33 \Omega$	Current sensing	1
Rt	51 k Ω	Reference current programming	2
Ct	1000 pF	Time constant for PWM carrier frequency	3
C ₁₀₁	$\geq 0.1 \mu\text{F}$	Power supply decoupling	
C ₁₀₂ , C ₁₀₃ , C ₁₀₄	0.01 μF	Penetration current control	4
C ₁₀₅	1000 pF	Current sensing filter	
R ₁₀₁	750 Ω		
VR ₁₀₁	100 k Ω	Motor current little adjustment	

Notes: 1. The maximum motor drive current is:

$$I_{\text{max}} \approx \pm \frac{V_{\text{dac}} + V_{\text{offs}}}{R_{\text{nf}}} \quad (1)$$

where, V_{dac}: DAC output voltage (see electrical characteristics)

V_{offs}: Offset voltage (see electrical characteristics)

2. The output sink current I_{osnk}, output source current I_{osrc}, and Ct charge/discharge currents I_{ct+} and I_{ct-} are calculated as follows:

where, set Rt to be 2.5k Ω or higher.

$$I_{\text{osnk}} \approx \frac{50V_{\text{rt}}}{R_{\text{t}}} - \frac{V_{\text{be}}}{R_{\text{u}}} \quad (2)$$

$$I_{\text{osrc}} \approx \frac{50V_{\text{rt}}}{R_{\text{t}}} - \frac{V_{\text{be}}}{R_{\text{d}}} \quad (3)$$

$$I_{\text{ct+}}, I_{\text{ct-}} \approx \frac{V_{\text{rt}}}{R_{\text{t}}} \quad (4)$$

where, V_{rt}: Rt voltage (see electrical characteristics)

R_u: pull-up resistance (see electrical characteristics)

R_d: pull-down resistance (see electrical characteristics)

V_{be}: base-emitter voltage of driven transistor

3. The PWM carrier frequency f_c is calculated as follows:

$$f_{\text{c}} \approx \frac{I_{\text{ct}}}{2C_{\text{t}} (V_{\text{cth}} - V_{\text{ctl}})} \quad (5)$$

$$\approx \frac{V_{\text{rt}}}{2C_{\text{t}} R_{\text{t}} (V_{\text{cth}} - V_{\text{ctl}})} \quad (6)$$

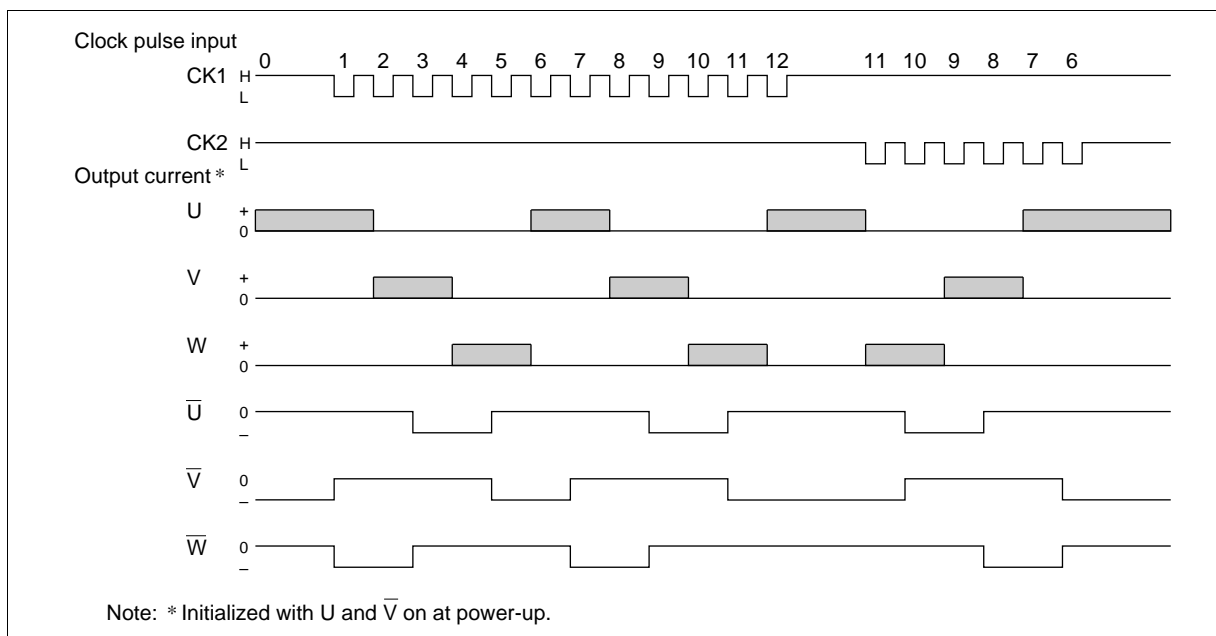
where, V_{cth}: Ct high voltage (see electrical characteristics)

V_{ctl}: Ct low voltage (see electrical characteristics)

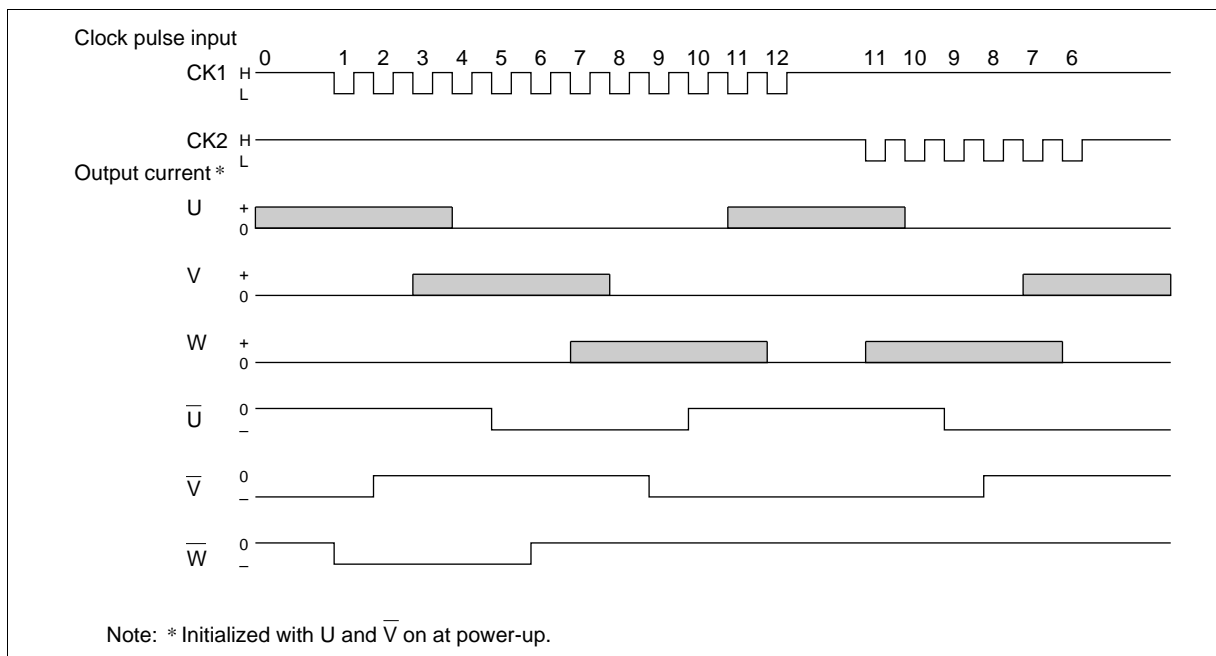
4. Values of C₁₀₂, C₁₀₃, C₁₀₄, C₁₀₅, R₁₀₁ are different from using power transistor

Timing Waveforms

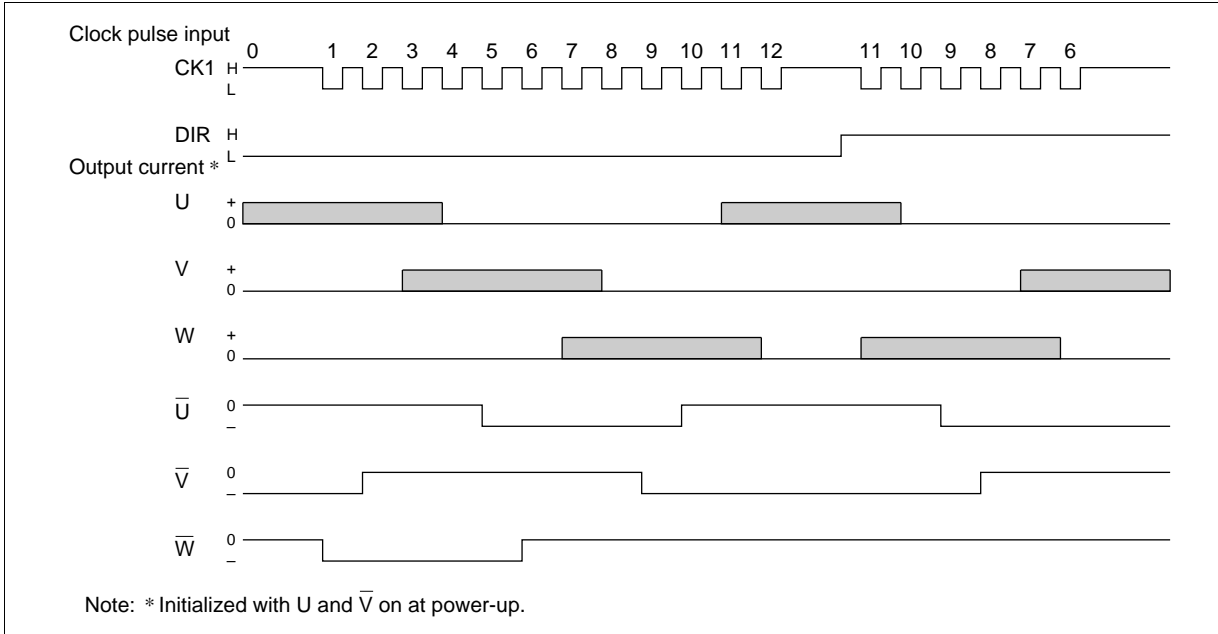
Two Clock Pulse Inputs, Two-Phase Exciting (INSEL High, EXSEL High)



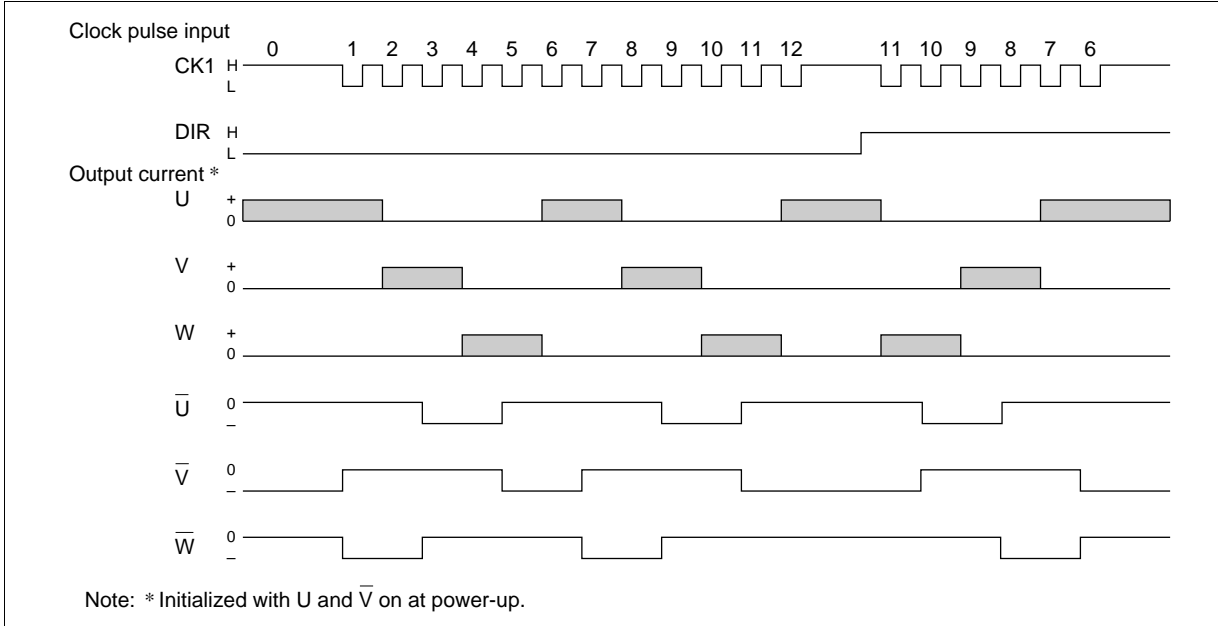
Two Clock Pulse Inputs, Two-Three-Phase Exciting (INSEL High, EXSEL Low)



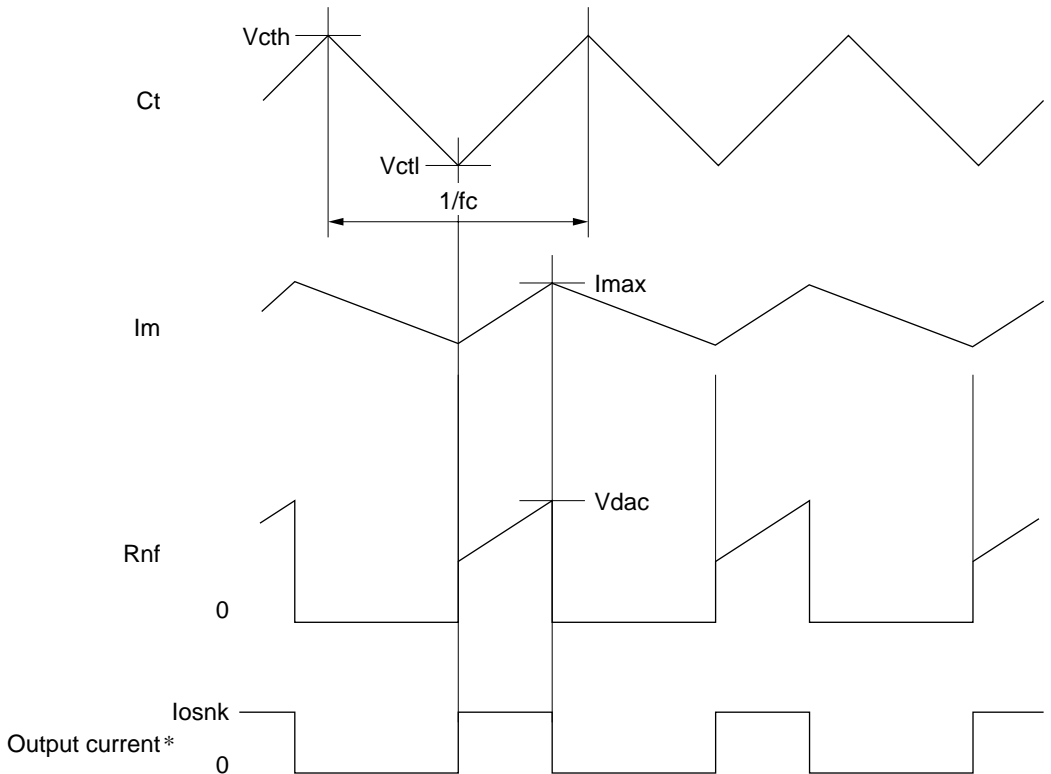
One Clock Pulse Input, Two-Three-Phase Exciting (INSEL Low, EXSEL Low)



One Clock Pulse Input, Two-Phase Exciting (INSEL Low, EXSEL High)



PWM Control



Note: * Only phase U is shown.

Absolute Maximum Ratings

Item	Symbol	Rating	Unit	Notes
Power supply voltage	V_{CC}	30	V	1
Input voltage	V_{in}	7	V	2
Power dissipation	P_T	910	mW	3
Operating temperature	T_{opr}	-10 to +70	°C	
Storage temperature	T_{stg}	-55 to +125	°C	
Output current	I_{reg}	2	mA	

- Notes: 1. The operating power supply voltage range is $V_{CC} = 10\text{ V to }27.6\text{ V}$.
 2. Applies to logic and DAC input pins.
 3. Permitted at $T_a = 70^\circ\text{C}$, if thermal resistance is as below:
 $\theta_{j-a} \leq 60^\circ\text{C/W}$ (glass-epoxy board)

Electrical Characteristics (Ta = 25°C, V_{CC} = 24 V)

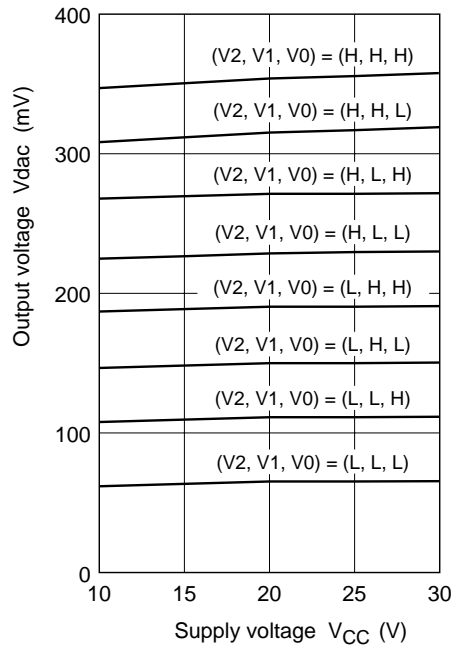
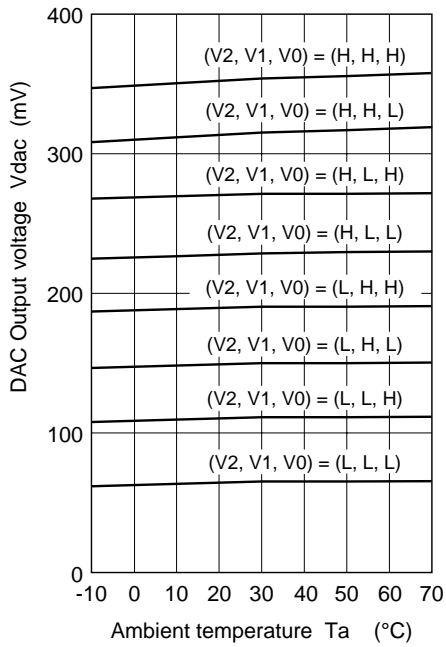
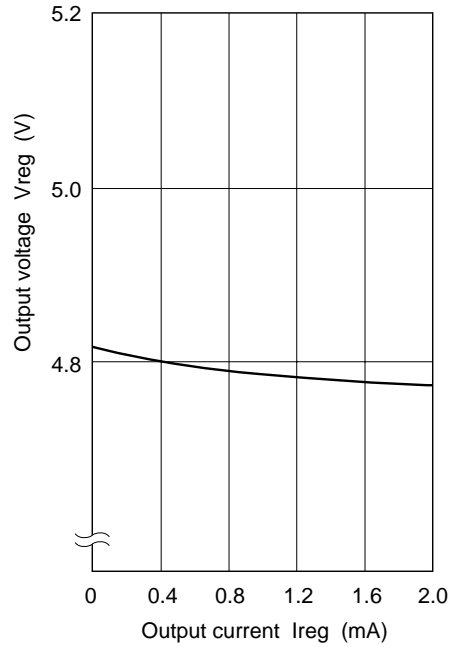
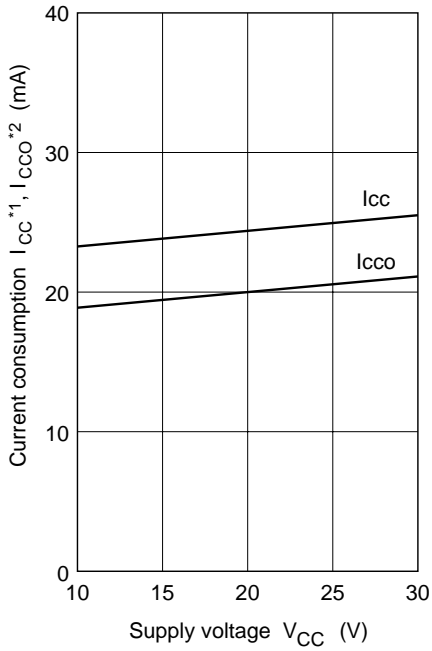
Item	Symbol	Min	Typ	Max	Unit	Test Conditions	Pins	Notes
Current consumption	I _{CCO}	—	—	33	mA	V _{CC} = 30 V, \overline{OE} = H	23	1
	I _{CC}	—	—	41	mA	V _{CC} = 30 V, \overline{OE} = L		
REG	Output voltage	V _{reg}	4.4	4.8	5.2	V	I _{reg} = 2 mA	12
	Load regulation	ΔV _{reg}	—	—	±0.1	V	I _{reg} = 0 mA to 2 mA	
Logic	Input current	I _{in}	-10	—	1	μA	V _{in} = 0 V to 7 V	1, 2, 3, 13, 24
			-1	—	10	μA		7, 9, 10
	Low voltage level	V _{il}	—	—	1.35	V		1, 2, 3, 7, 9, 10, 13,
	High voltage level	V _{ih}	3.65	—	—	V		24
DAC	Outout voltage	V _{dac}	200	230	260	mV	(V ₂ , V ₁ , V ₀) = (H, L, L)	11
			116	146	176	mV	(V ₂ , V ₁ , V ₀) = (L, H, L)	
			75	105	135	mV	(V ₂ , V ₁ , V ₀) = (L, L, H)	
			33	63	93	mV	(V ₂ , V ₁ , V ₀) = (L, L, L)	
PWM control	Input current	I _{sens}	—	—	±2	μA	V _{sens} = 0 V to 5 V	14
	Offset voltage	V _{offs}	—	—	±10	mV		2
	R _t voltage	V _{rt}	4.4	4.8	5.2	V	R _t = 51 kΩ	4
	C _t change current	I _{ct+}	84	94	104	μA	R _t = 51 kΩ, V _{ct} 6 = 3.75 V	
	C _t discharge current	I _{ct-}	84	94	104	μA	R _t = 51 kΩ, V _{ct} = 3.75 V	

Electrical Characteristics (Ta = 25°C, V_{CC} = 24 V) (Cont)

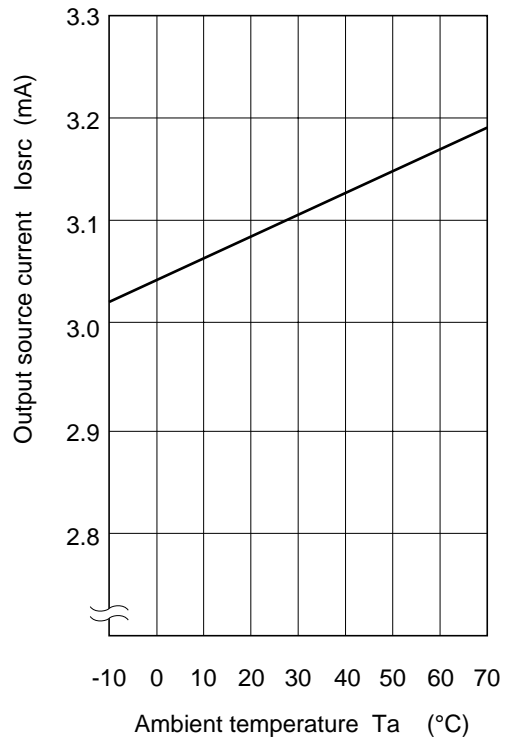
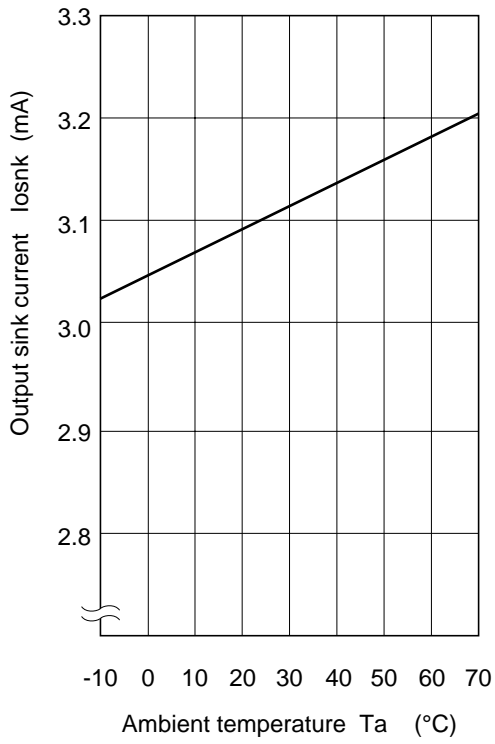
Item	Symbol	Min	Typ	Max	Unit	Test Conditions	Pins	Notes	
PWM control	Ct high voltage	Vcth	4.3	4.8	5.3	V		6	3
	Ct low voltage	Vctl	2.3	2.78	3.3	V			
	Carrier frequency	fc	18.6	23.3	28.0	kHz	Rt = 51 kΩ, Ct = 1000 pF		
3-pahse output	Output sink current	losnk	2.0	3.1	4.2	mA	V _O = V _{CC} - 1.5 V, Rt = 51 kΩ	16, 18, 22	
	Output source current	losrc	2.0	3.1	4.2	mA	V _O = 1.5 V, Rt = 51 kΩ	15, 19, 21	
	Output leakage current	loff	—	—	±10	μA	V _{CC} = 30 V, V _O = V _{CC}	16, 18, 22	
			—	—	±10	μA	V _{CC} = 30 V, V _O = 0 V	15, 19, 21	
	Pull-up resistance	Ru	700	950	1200	Ω		16, 18, 22	
	Pull-down resistance	Rd	700	950	1200	Ω		15, 19, 21	
	Transient response time	t _{phl}	—	—	6.0	μs		15, 16, 18, 19, 21, 22	
—			—	6.0	μs				
LVI	Operating voltage	Vlvi	8.0	—	10	V		23	
	Hysteresis	Vhys	—	0.3	—	V			

- Notes: 1. Measured with pins 12, 15, 16, 18, 19, 21, and 22 open.
2. Offset between pins 11 and 14.
3. See timing diagrams.

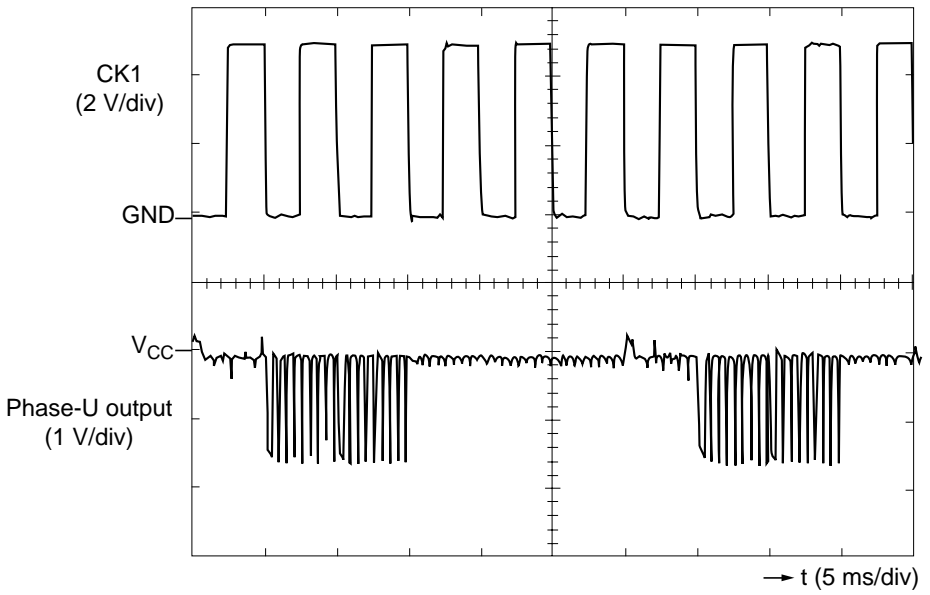
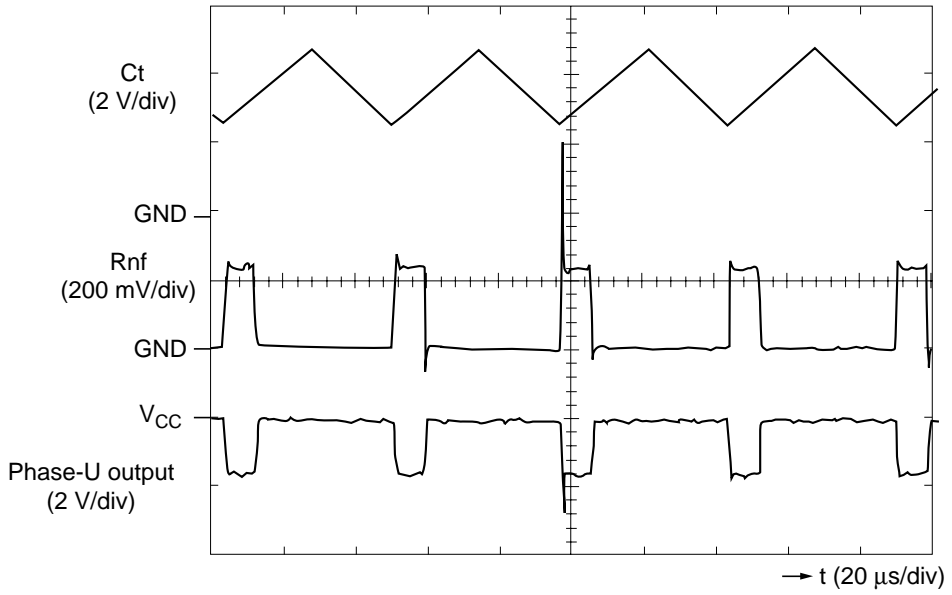
Reference Data



- Notes:
1. $I_{osnk} + I_{osrc}$ is the current during three-channel output.
 2. I_{osnk} is the current during two-channel output.

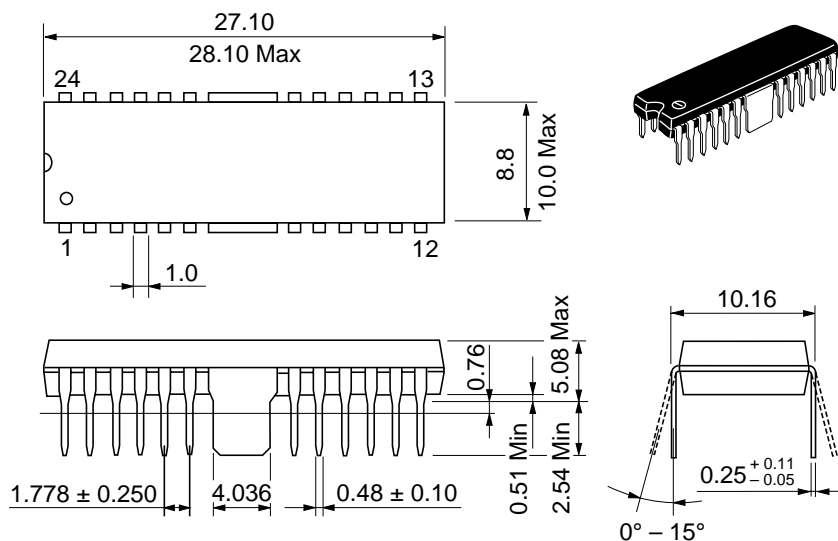


In-Circuit Waveform Characteristics



Package Dimensions

Unit: mm



Hitachi code	DP-24TS
EIAJ code	—
JEDEC code	—

Cautions

1. Hitachi neither warrants nor grants licenses of any rights of Hitachi's or any third party's patent, copyright, trademark, or other intellectual property rights for information contained in this document. Hitachi bears no responsibility for problems that may arise with third party's rights, including intellectual property rights, in connection with use of the information contained in this document.
2. Products and product specifications may be subject to change without notice. Confirm that you have received the latest product standards or specifications before final design, purchase or use.
3. Hitachi makes every attempt to ensure that its products are of high quality and reliability. However, contact Hitachi's sales office before using the product in an application that demands especially high quality and reliability or where its failure or malfunction may directly threaten human life or cause risk of bodily injury, such as aerospace, aeronautics, nuclear power, combustion control, transportation, traffic, safety equipment or medical equipment for life support.
4. Design your application so that the product is used within the ranges guaranteed by Hitachi particularly for maximum rating, operating supply voltage range, heat radiation characteristics, installation conditions and other characteristics. Hitachi bears no responsibility for failure or damage when used beyond the guaranteed ranges. Even within the guaranteed ranges, consider normally foreseeable failure rates or failure modes in semiconductor devices and employ systemic measures such as fail-safes, so that the equipment incorporating Hitachi product does not cause bodily injury, fire or other consequential damage due to operation of the Hitachi product.
5. This product is not designed to be radiation resistant.
6. No one is permitted to reproduce or duplicate, in any form, the whole or part of this document without written approval from Hitachi.
7. Contact Hitachi's sales office for any questions regarding this document or Hitachi semiconductor products.

HITACHI

Hitachi, Ltd.

Semiconductor & Integrated Circuits.
Nippon Bldg., 2-6-2, Ohte-machi, Chiyoda-ku, Tokyo 100-0004, Japan
Tel: Tokyo (03) 3270-2111 Fax: (03) 3270-5109

URL North America : <http://semiconductor.hitachi.com/>
Europe : <http://www.hitachi-eu.com/hel/ecg>
Asia (Singapore) : <http://www.has.hitachi.com.sg/grp3/sicd/index.htm>
Asia (Taiwan) : http://www.hitachi.com.tw/E/Product/SICD_Frame.htm
Asia (HongKong) : <http://www.hitachi.com.hk/eng/bo/grp3/index.htm>
Japan : <http://www.hitachi.co.jp/Sicd/indx.htm>

For further information write to:

Hitachi Semiconductor
(America) Inc.
179 East Tasman Drive,
San Jose, CA 95134
Tel: <1> (408) 433-1990
Fax: <1> (408) 433-0223

Hitachi Europe GmbH
Electronic components Group
Dornacher Straße 3
D-85622 Feldkirchen, Munich
Germany
Tel: <49> (89) 9 9180-0
Fax: <49> (89) 9 29 30 00

Hitachi Europe Ltd.
Electronic Components Group.
Whitebrook Park
Lower Cookham Road
Maidenhead
Berkshire SL6 8YA, United Kingdom
Tel: <44> (1628) 585000
Fax: <44> (1628) 778322

Hitachi Asia Pte. Ltd.
16 Collyer Quay #20-00
Hitachi Tower
Singapore 049318
Tel: 535-2100
Fax: 535-1533

Hitachi Asia Ltd.
Taipei Branch Office
3F, Hung Kuo Building, No.167,
Tun-Hwa North Road, Taipei (105)
Tel: <886> (2) 2718-3666
Fax: <886> (2) 2718-8180

Hitachi Asia (Hong Kong) Ltd.
Group III (Electronic Components)
7/F., North Tower, World Finance Centre,
Harbour City, Canton Road, Tsim Sha Tsui,
Kowloon, Hong Kong
Tel: <852> (2) 735 9218
Fax: <852> (2) 730 0281
Telex: 40815 HITEC HX

Copyright ' Hitachi, Ltd., 1999. All rights reserved. Printed in Japan.

HITACHI