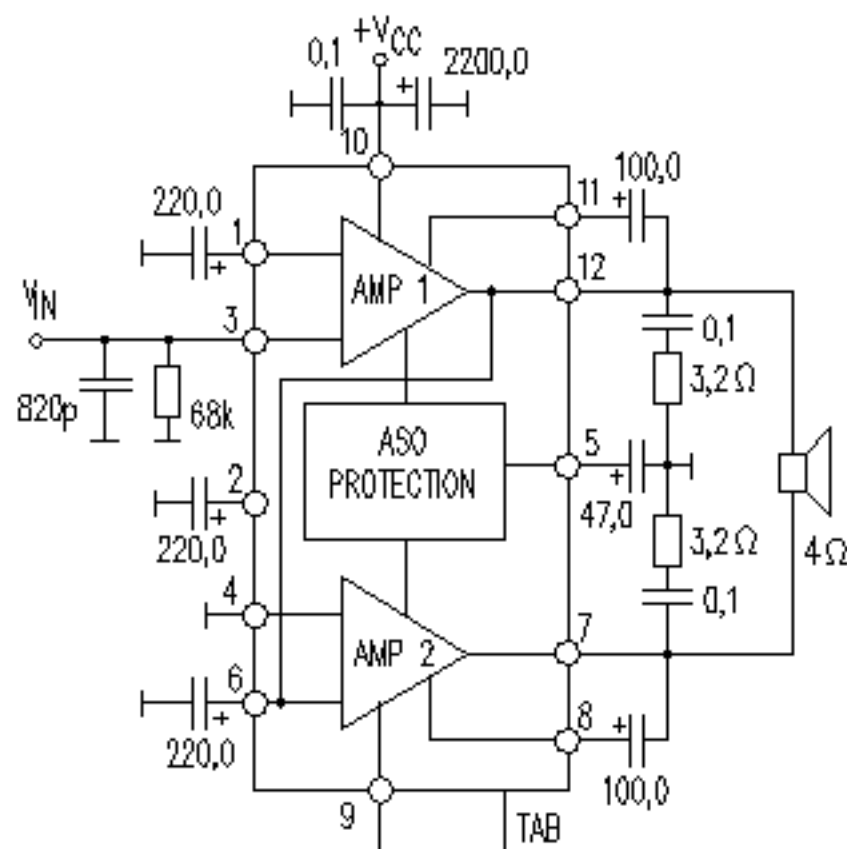


HA1384

POWER AMPLIFIER 20W



$V_{CC\ MAX} = 18V$

$V_{CC\ TYP} = 13,2V$

$V_{CC\ RNG} = -$

$P_o = 20W$

$R_L = 4\ \Omega$

$TDH = 10\%$

$I_{CCO\ TYP} = 80mA$

$I_{CCO\ MAX} = 180mA$

$I_{MAX} = 4A$

$R_{IN} = 68k$

Gain = 40dB

Noise = 2,5 μV

$R_{TH-C} = 3\ ^\circ C/W$

Case SIP12