

HD6350, HD63A50, HD63B50

CMOS ACIA (Asynchronous Communications Interface Adapter)

The HD6350 Asynchronous Communications Interface Adapter provides the data formatting and control to interface serial asynchronous data communications information to bus organized systems such as the HMCS6800 Microprocessing Unit.

The bus interface of the HD6350 includes select, enable, read/write, interrupt and bus interface logic to allow data transfer over an 8-bit bi-directional data bus. The parallel data of the bus system is serially transmitted and received by the asynchronous data interface, with proper formatting and error checking.

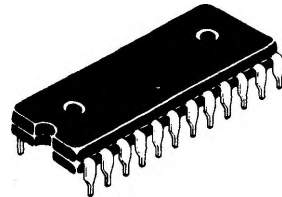
The functional configuration of the ACIA is programmed via the data bus during system initialization. A programmable Control Register provides variable word lengths, clock division ratios, transmit control, receive control, and interrupt control. For peripheral or modem operation three control lines are provided.

■ FEATURES

- High Performance, Low Power CMOS Process Technology
- Serial/Parallel Conversion of Data
- Eight and Nine-bit Transmission
- Insertion and Deleting of Start and Stop Bit
- Optional Even and Odd Parity
- Parity, Overrun and Framing Error Checking
- Peripheral/Modem Control Functions (Clear to Send CTS, Request to Send RTS, Data Carrier Detect (DCD))
- Optional $\div 1$, $\div 16$, and $\div 64$ Clock Modes
- Up to 500kbps Transmission
- Programmable Control Register
- Compatible with MC6850, MC68A50 and MC68B50

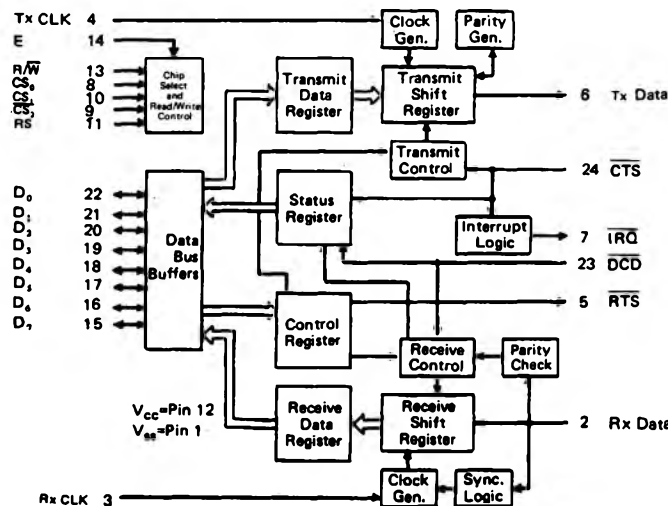
ADVANCED INFORMATION

HD6350P, HD63A50P, HD63B50P



(DP-24)

■ BLOCK DIAGRAM



■ PIN ARRANGEMENT

