

**OBSOLETE PRODUCT
NO RECOMMENDED REPLACEMENT**
 contact our Technical Support Center at
 1-888-INTERSIL or www.intersil.com/tsc

Low Power Quad RS-232 Receiver

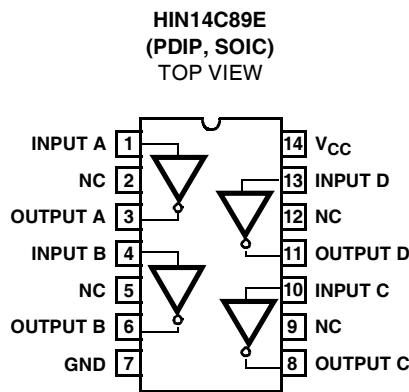
The HIN14C89E is a high-ESD tolerant, very low power, quad RS-232 receiver interface circuit that is designed to meet EIA/TIA-232, EIA/TIA-562, and CCITT V.28 specifications.

The receivers can handle up to $\pm 25V$, and have a 3 to $7k\Omega$ input impedance. The receivers have hysteresis and on-chip noise filtering to improve noise rejection and make external filtering components unnecessary. The outputs are TTL and CMOS compatible and operate at 240Kbps.

Part Number Information

PART NUMBER	TEMP. RANGE (°C)	PACKAGE	PKG. NO.
HIN14C89ECP	0 to 70	14 Ld PDIP	E14.3
HIN14C89ECBN	0 to +70	14 Ld SOIC	M14.15

Pinout



Features

- Pin-Compatible ESD Upgrade for “1489” Socket
- Meets All RS-232C Specifications
- Enhanced ESD Protection
 - $\pm 15KV$ Human Body Model
 - $\pm 15KV$ IEC1000-4-2, Air-Gap Discharge
 - $\pm 8KV$ IEC1000-4-2, Contact Discharge
- Latch-Up Free During an ESD Event
- Very Low Power Consumption ($1\mu A$ Typical)
- 240Kbps Data Rate (Typical)
- 4 Receivers per Package
 - $\pm 25V$ Input Voltage Range
 - 3 to $7k\Omega$ Input Impedance
 - 0.5V Hysteresis to Improve Noise Rejection
- All Critical Parameters are Guaranteed Over the Entire Commercial Temperature Range
 - Functionally Interchangeable and Pin Compatible with MAX1489E, MC1489, MC14C89A, SN75189, SN75C189, DS1489, DS14C89, and DS14C89A

Applications

- Computers - Portable and Mainframe
- Peripherals - Printers and Terminals
- Modems
- Dataloggers