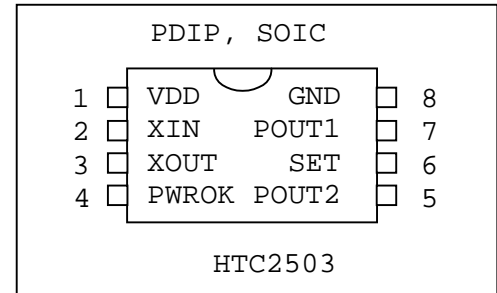


## General Description

HTC2503 is analog clock controller IC. It is designed to replace clock driver chips in wall mount clocks. Its versatile design allows it to be used in range of clock application ranging from simple wall clocks to centralized clock controllers for distributed clock systems. HTC2503 generates single pulse every minute for driving unidirectional stepping motor found in most of wall mount clock designs. This stepping motor is mechanically connected to minute hand of the clock, in such way that minute hand will rotate once per sixty rotations of stepping motor. Hour hand is mechanically coupled with minute hand in a way that hour hand makes one rotation per twelve rotations of minute hand. Analogy with conventional clock controllers ends here. HTC2503 will generate output pulse only if main power is operational. In case of main power failure it will accumulate pulses using backup power to keep time. In this mode HTC2503 is consuming list amount of power. Once Main power is restored HTC2503 will perform calculations on necessary adjustment value and deliver pulse train to stepping motor to adjust the time. We utilize our micro RTOS in this design.



### Features:

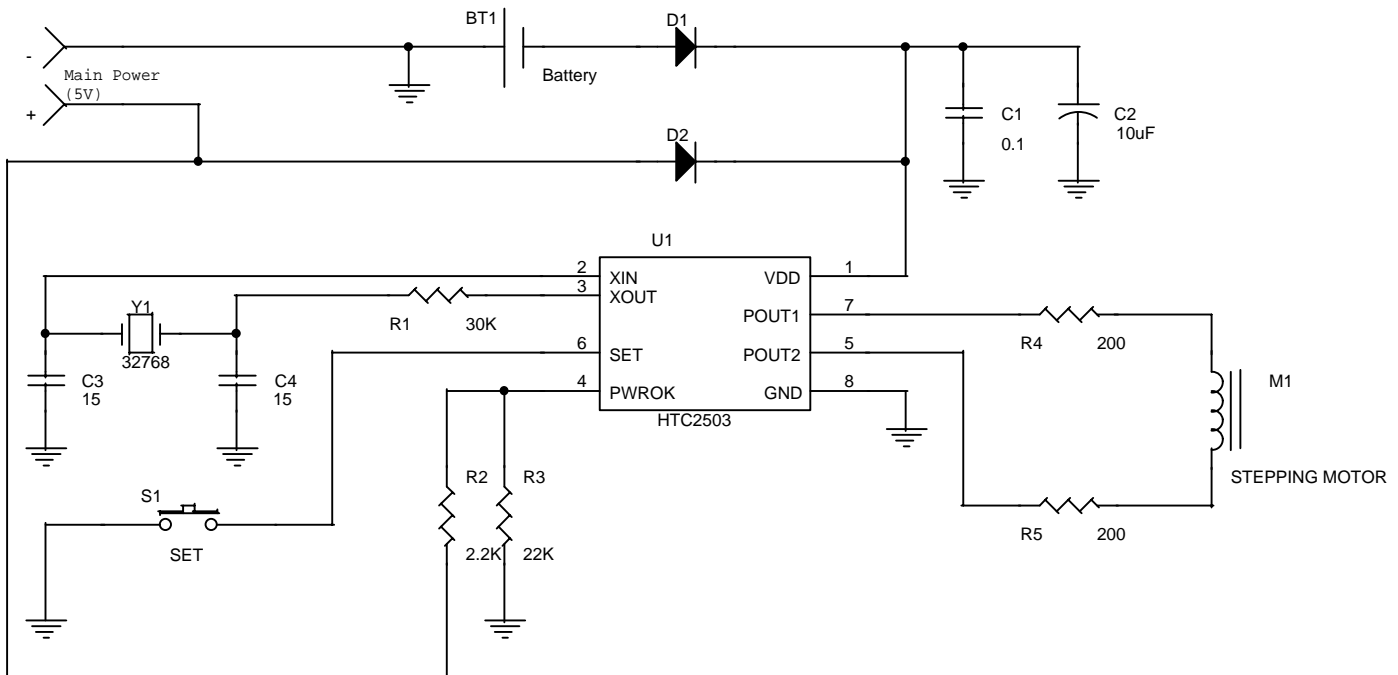
- Operation from widely available and low power precision 32768Hz crystal.
- Supports backup power supply in case of main power failure.
- Simple intuitive interface for adjusting clock.
- Minimum external components.

### Pin out description.

Abbreviations used: O - output, I - input, P - power

Pin number	Name	I / O	Description	Notes
1	VDD	P	Power input.	+2.5 to +6V.
2	XIN	I	Crystal input.	Crystal oscillator input.
3	XOUT	O	Crystal output.	Crystal oscillator output.
4	PWROK	I	Power ok input.	Connected to main power via resistor.
5	POUT2	I	Pulse output	Can deliver up to 25mA to load. Use external driver if more current needed.
6	SET	I	Switch input	De-bounced switch input for time adjustment.
7	POUT1	O	Pulse output	Can deliver up to 25mA to load. Use external driver if more current needed.
8	GND	P	Ground	Connects to power ground.

## 2.0 Typical connection diagram.



## Functional Description

HTC2503 will generate 30mS pulse every minute if main power is operational. In case of main power failure HTC2503 starts accumulating pulses while operating from backup power supply. Power consumption in this mode is minimal. As soon as main power is restored HTC2503 will send train of pulses (2 pulses per second) to stepping motor to adjust time. Please note that before generating each pulse main power is checked. This insures reliable and worry free operation. Set key input is provided to setup time while main power is operational. Set key input is ignored if main power is down or during clock adjustment after main power is restored.

## Electrical Characteristics

Power consumption during normal operation is about 0.26mA. This depends on crystal used and operating Voltage. Operational Voltage is (Voltage between VDD and GND pin) should be in the range of 3V to 5.5V. Power consumption in power down mode is about 35uA.

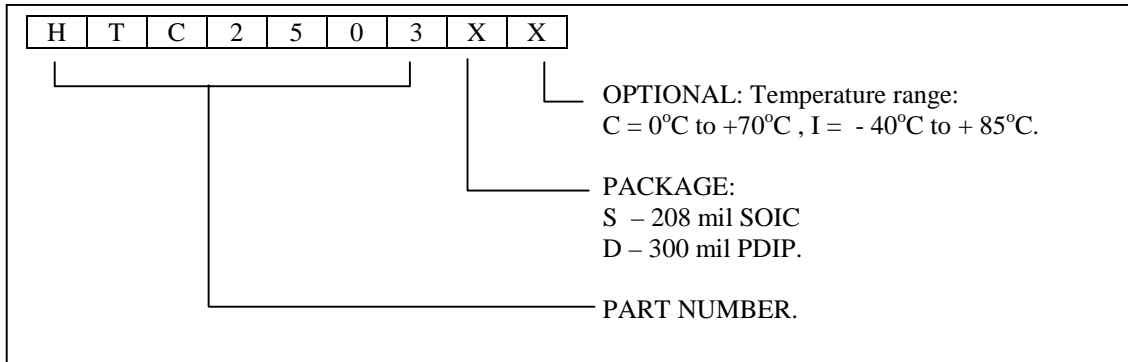


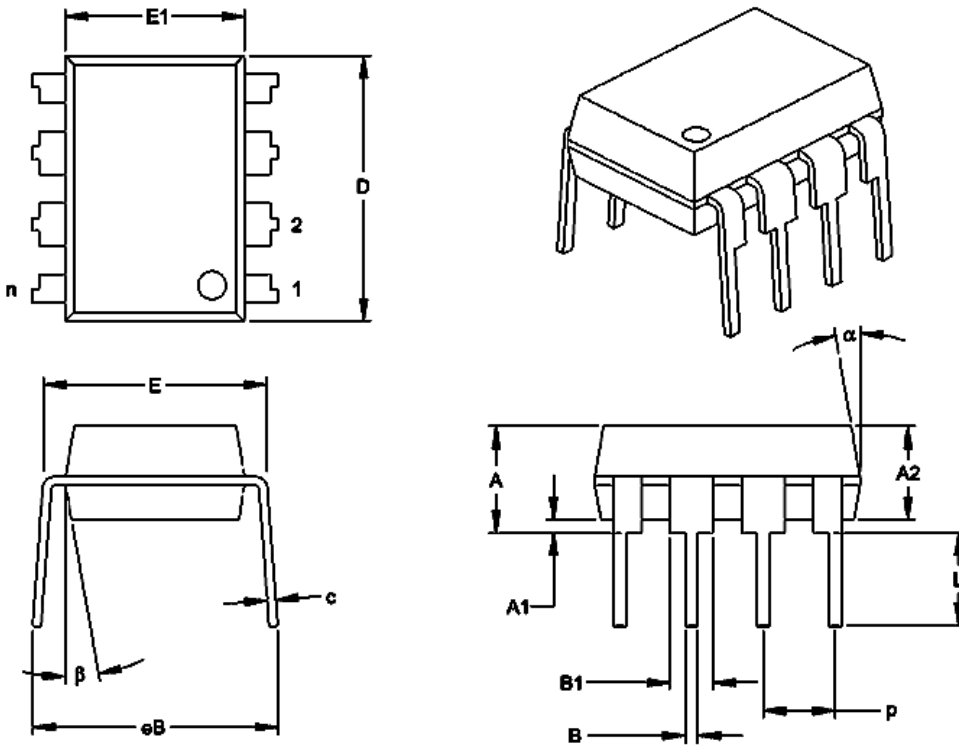
---

---

## Ordering Information

When ordering please use part numbering scheme below.



**Mechanical information.**
**8-Lead Plastic Dual In-line (P) – 300 mil (PDIP)**


Units		INCHES*			MILLIMETERS		
Dimension Limits		MIN	NOM	MAX	MIN	NOM	MAX
Number of Pins	n		8			8	
Pitch	p		.100			2.54	
Top to Seating Plane	A	.140	.155	.170	3.56	3.94	4.32
Molded Package Thickness	A2	.115	.130	.145	2.92	3.30	3.68
Base to Seating Plane	A1	.015			0.38		
Shoulder to Shoulder Width	E	.300	.313	.325	7.62	7.94	8.26
Molded Package Width	E1	.240	.250	.260	6.10	6.35	6.60
Overall Length	D	.360	.373	.385	9.14	9.46	9.78
Tip to Seating Plane	L	.125	.130	.135	3.18	3.30	3.43
Lead Thickness	c	.008	.012	.015	0.20	0.29	0.38
Upper Lead Width	B1	.045	.058	.070	1.14	1.46	1.78
Lower Lead Width	B	.014	.018	.022	0.36	0.46	0.56
Overall Row Spacing	eB	.310	.370	.430	7.87	9.40	10.92
Mold Draft Angle Top	$\alpha$	5	10	15	5	10	15
Mold Draft Angle Bottom	$\beta$	5	10	15	5	10	15

\*Controlling Parameter

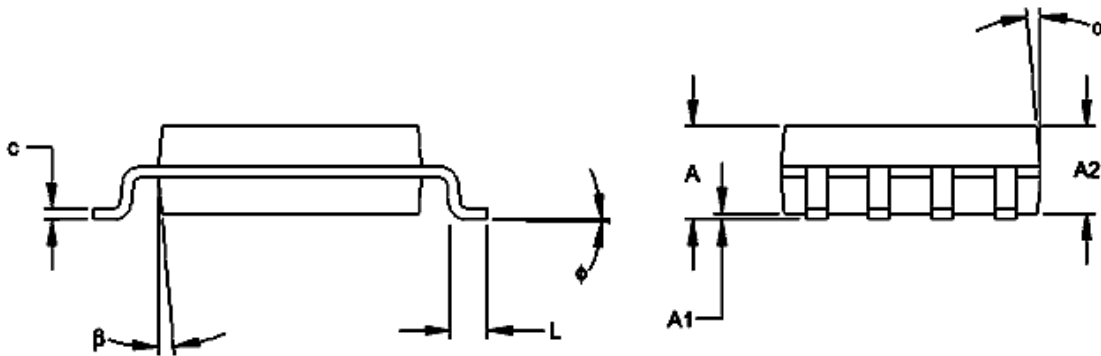
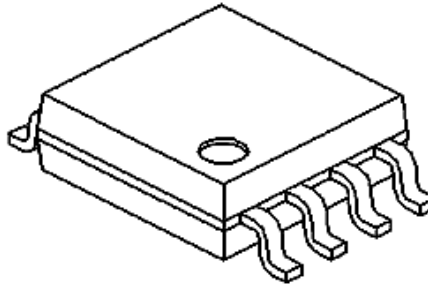
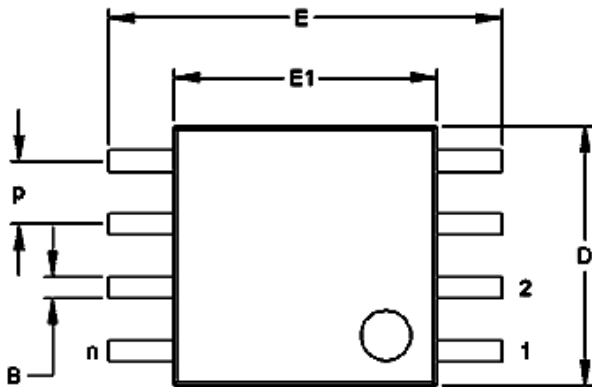
Notes:

Dimensions D and E1 do not include mold flash protrusions. Mold flash or protrusions shall not exceed .010" (0.254mm) per side.

JEDEC Equivalent: MS-001



8-Lead Plastic Small Outline (SM) – Medium, 208 mil (SOIC)



Units		INCHES*			MILLIMETERS		
Dimension Limits		MIN	NOM	MAX	MIN	NOM	MAX
Number of Pins	n		8			8	
Pitch	P		.050			1.27	
Overall Height	A	.070	.075	.080	1.78	1.97	2.03
Molded Package Thickness	A2	.069	.074	.078	1.75	1.88	1.98
Standoff	A1	.002	.005	.010	0.05	0.13	0.25
Overall Width	E	.300	.313	.325	7.62	7.95	8.26
Molded Package Width	E1	.201	.208	.212	5.11	5.28	5.38
Overall Length	D	.202	.205	.210	5.13	5.21	5.33
Foot Length	L	.020	.025	.030	0.51	0.64	0.76
Foot Angle	φ	0	4	8	0	4	8
Lead Thickness	c	.008	.009	.010	0.20	0.23	0.25
Lead Width	B	.014	.017	.020	0.36	0.43	0.51
Mold Draft Angle Top	α	0	12	15	0	12	15
Mold Draft Angle Bottom	β	0	12	15	0	12	15

\*Controlling Parameter

Notes:

Dimensions D and E1 do not include mold flash protrusions. Mold flash or protrusions shall not exceed .010" (0.254mm) per side.



HTC makes no warranty, express, statutory implied or by description, regarding information set forth herein or regarding the freedom of described devices from patent infringement. HTC makes no warranty or merchantability or fitness for any purposes. HTC reserves right to discontinue production and change specifications and prices at any time and without notice. HTC's products are intended for use in commercial applications. Applications requiring extended temperature range, unusual environmental requirements, or high reliability applications, such as military, medical life-support or life-sustaining equipment, are specifically not recommended without additional processing by HTC for such applications.

High Tech Chips, Inc.

[www.hightechips.com](http://www.hightechips.com)

[info@hightechips.com](mailto:info@hightechips.com)