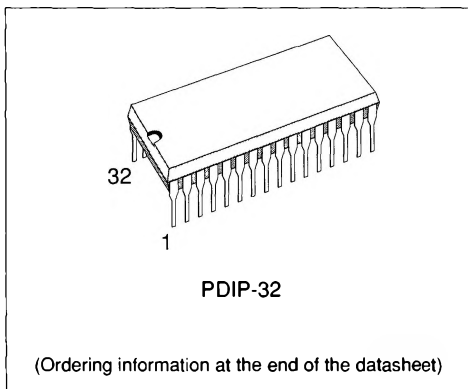


**1024K (128K x 8) CMOS ROM**

- **VERY FAST ACCESS TIME** : 100 ns  
(Chip select or address access time)
- **LOW POWER "CMOS" CONSUMPTION** :
  - Operating current 40 mA Max.
  - Standby current 20  $\mu$ A Max.
- **SINGLE +5V  $\pm$  10% POWER SUPPLY.**
- **STATIC OPERATION.**
- **INPUTS AND OUTPUTS TTL COMPATIBLE.**
- **THREE STATE OUTPUTS.**
- **MASK PROGRAMMABLE ACTIVE LOW/HIGH CE.**
- **AUTOMATIC POWER DOWN.**


**DESCRIPTION**

The M23C1001 is a 1,048,576 bit, CMOS Masked Read Only Memory (ROM), organized as 131,072 x 8 bits. It is manufactured in 1.2 micron CMOS technology: Very fast access time of 100 ns makes it ideal for EPROM replacement on high performance, high volume running applications. Chip select line (CE) is active low or active high by mask programming, as per user's choice. When not active, it brings the device into standby mode making it suitable for battery operated systems.

After cycle completion and 50 ns without input change, the M23C1001 automatically goes into power-down mode ( $I_{CC} = 1$  mA), the data remaining latched on the output.

**PIN FUNCTIONS**

A0-A16	ADDRESS INPUTS
00-07	DATA OUTPUTS
CE / $\overline{CE}$	CHIP ENABLE INPUT
OE	OUTPUT ENABLE
V <sub>CC</sub>	+5V POWER SUPPLY
GND	GROUND

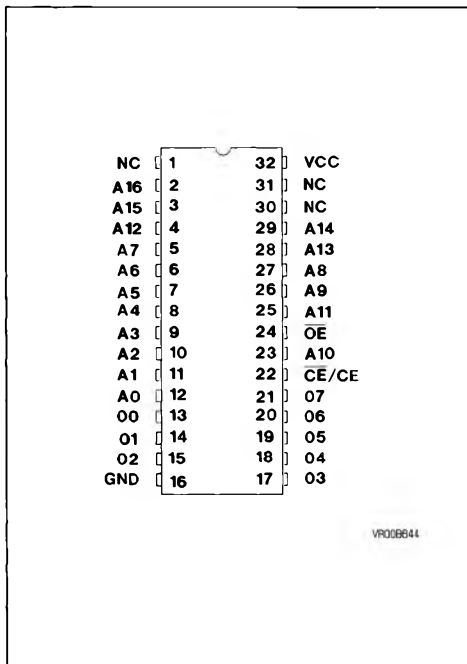
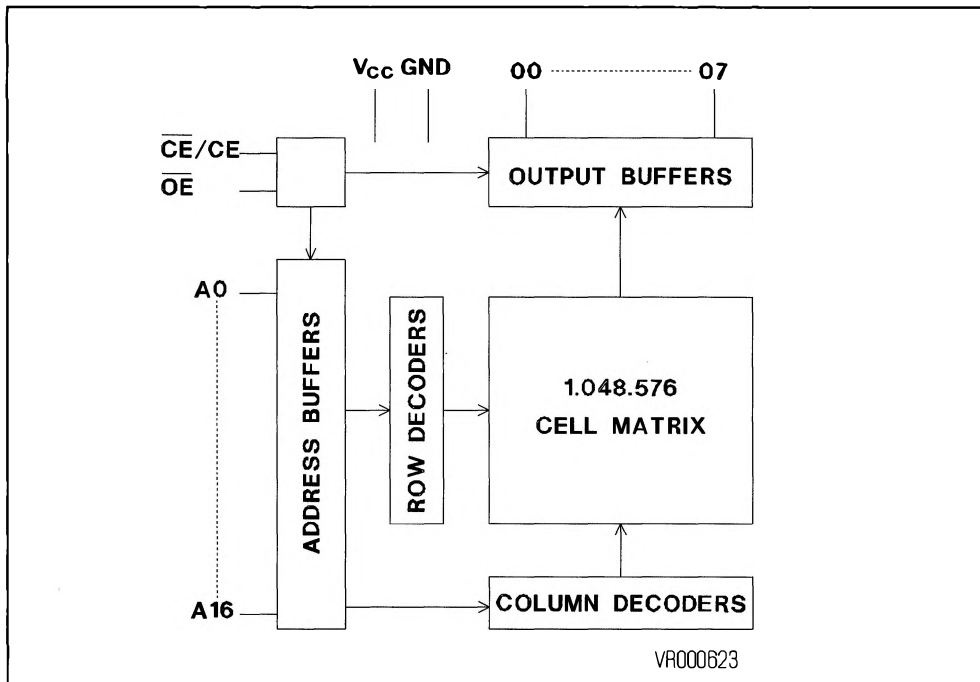
**Figure 1 : Pin Connection**


Figure 2 : Block Diagram



**ABSOLUTE MAXIMUM RATINGS**

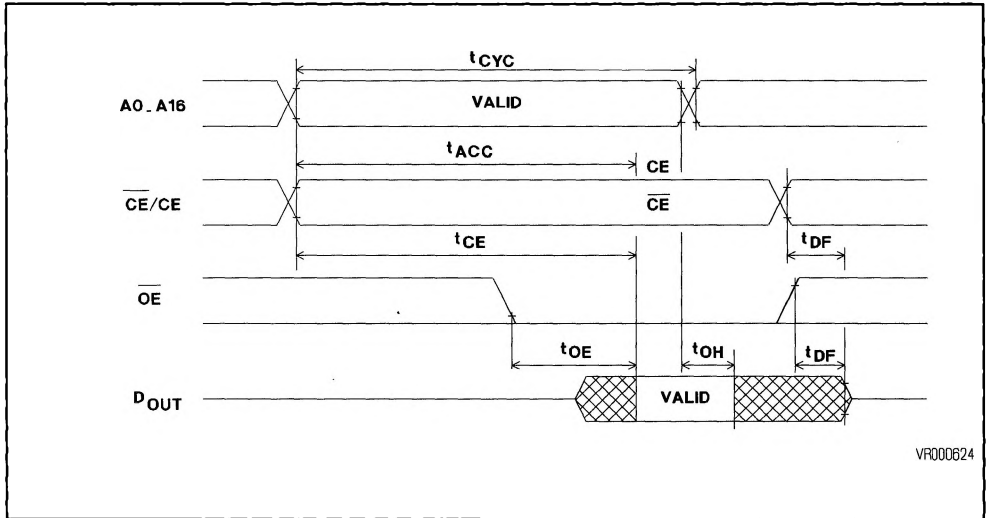
Symbol	Parameter	Value	Unit
V <sub>CC</sub>	Supply voltage with respect to Ground	-0.5 to + 7.0	V
V <sub>i</sub>	Input or Output voltage with respect to Ground	-0.5 to + 7.0	V
T <sub>amb</sub>	Operating temperature range	0 to + 70	°C
T <sub>bias</sub>	Temperature range under bias	0 to + 125	°C
T <sub>stg</sub>	Storage temperature	-65 to + 150	°C

NOTE : Stresses above those listed under "Absolute Maximum Ratings" may cause permanent damage to the device. These are stress ratings only, and functional operation to these or any other conditions beyond those indicated in the operational sections of this specification is not implied. Exposure to absolute maximum rated conditions for extended periods of time may affect device reliability.

**AC TEST CONDITION**

Input Rise and Fall Times : ≤ 10 ns      Timing measurement Reference Levels :  
 Input Levels : 0.45V and 2.4V      Inputs : 0.8V and 2.0V - Outputs : 0.8V and 2.0V

Figure 3 : Timing Waveforms



## OPERATION MODES

MODE	CE	or (CE)	OE (Note 1)	OUTPUTS
READ	L	(H)	L	DOUT
STANDBY	H	(L)	X	HIGH Z
OUTPUT DISABLE	L	(H)	H	HIGH Z

## DC CHARACTERISTICS

$T_{AMB} = 0^{\circ}\text{C}$  to  $70^{\circ}\text{C}$   $V_{CC} = 5\text{V} \pm 10\%$

Symbol	Parameter	Test Condition	Values		Unit
			Min	Max	
$I_{LI}$	Input Leakage current	$V_{IN} = 0\text{V}$ to $V_{CC}$	-10	10	$\mu\text{A}$
$I_{LO}$	Output Leakage current	$V_{IN} = 0\text{V}$ to $V_{CC}$	-10	10	$\mu\text{A}$
$I_{CC1}$	$V_{CC}$ Active Current	$\overline{CE} = \overline{OE} = V_{IL}$ , $I_{OUT} = 0\text{mA}$ ( $f = 10\text{MHz}$ )		40	$\text{mA}$
$I_{CC1}$	$V_{CC}$ Active Current	$\overline{CE} = \overline{OE} = V_{IL}$ , $I_{OUT} = 0\text{mA}$ ( $f = 5\text{MHz}$ )		20	$\text{mA}$
$I_{CC2}$	$V_{CC}$ Standby Current - TTL	$\overline{CE} = V_{IH}$		1	$\text{mA}$
$I_{CC3}$	$V_{CC}$ Standby Current - CMOS	$\overline{CE} > V_{CC} - 0.2\text{V}$		20	$\mu\text{A}$
$V_{IL}$	Input Low Voltage		-0.5	0.8	V
$V_{IH}$	Input High voltage		2.0	$V_{CC} + 1.0$	V
$V_{OL}$	Output Low voltage	$I_{OL} = 3.2\text{mA}$		0.4	V
$V_{OH}$	Output High Voltage	$I_{OH} = -400\mu\text{A}$	2.4		V

NOTE 1 : OE may be active high by mask programming.

**AC CHARACTERISTICS**

Symbol	Parameter	Test Condition	Values		Unit
			Min	Max	
T <sub>CYC</sub>	Cycle Time			100	ns
T <sub>ACC</sub>	Address Access Time	$\overline{CE} = V_{IL}$		100	ns
T <sub>CE</sub>	Chip Enable Access Time	$\overline{CE} = V_{IL}$		100	ns
T <sub>OE</sub>	Output Enable Access Time	$\overline{CE} = \overline{OE} = V_{IL}$		50	ns
T <sub>DF (1)</sub>	CE High to Output float			30	ns
T <sub>DH</sub>	Output Hold		10		ns

**CAPACITANCE <sup>(1)</sup>**

T<sub>AMB</sub> = 25°C f = 1 MHz

Symbol	Parameter	Test Condition	Max.	Unit
C <sub>IN</sub>	Input Capacitance	V <sub>IN</sub> = 0V		5 pF
C <sub>OUT</sub>	Output Capacitance	V <sub>OUT</sub> = 0V		5 pF

NOTE : (1) This parameter is only sampled and not 100 % tested

**ORDERING INFORMATION**

Part Number	Access Time	Supply Voltage	Temp. Range	Package
M23C1001 B1	100 ns	5 V ± -10%	0 to +70°C	PDIP32

**PACKAGE MECHANICAL DATA**

Figure 4 : 32-PIN - PLASTIC DIP

