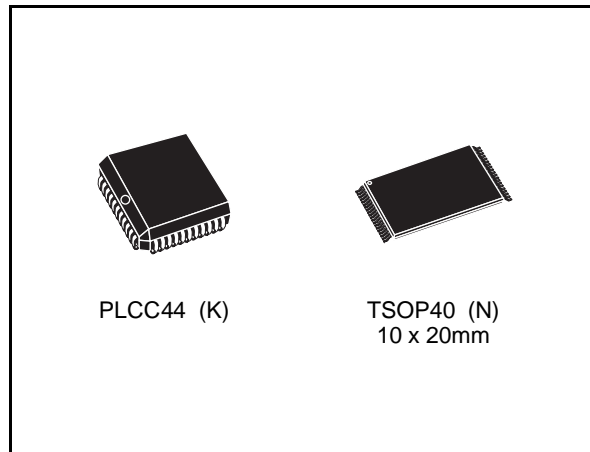


2 Mbit (128Kb x16) OTP EPROM

DATA BRIEFING

- 5V ± 10% SUPPLY VOLTAGE in READ OPERATION
- FAST ACCESS TIME: 70ns
- LOW POWER CONSUMPTION:
 - Active Current 50mA
 - Standby Current 100µA
- PROGRAMMING VOLTAGE: 12.75V ± 0.25V
- PROGRAMMING TIME of AROUND 12 sec. (PRESTO II ALGORITHM)
- ELECTRONIC SIGNATURE
 - Manufacturer Code: 0020h
 - Device Code: 001Ch

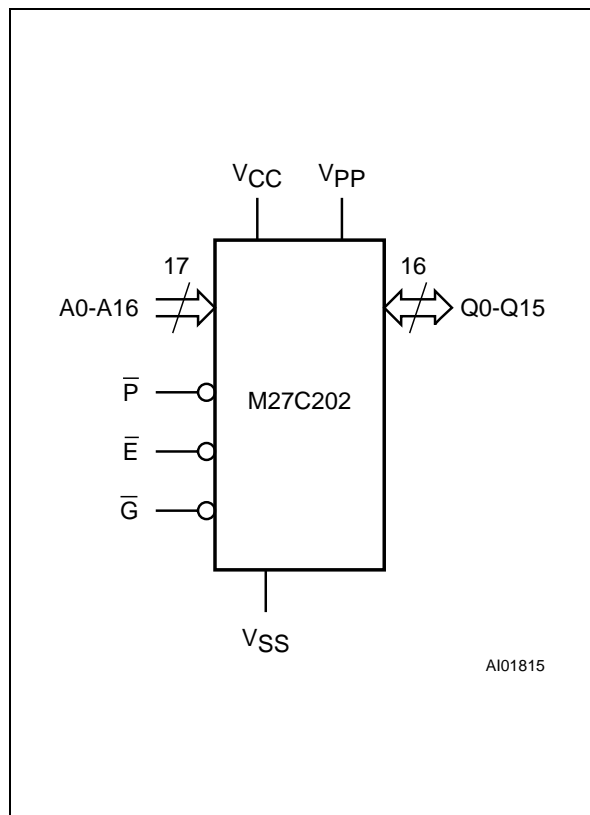


DESCRIPTION

The M27C202 is a 2 Mbit EPROM offered in the OTP (one time programmable) range. It is ideally suited for microprocessor systems requiring large programs, in the application where the contents is stable and needs to be programmed only one time, and is organised as 131,072 by 16 bits..

The M27C202 is offered in PLCC44 and TSOP40 (10 x 20 mm) packages.

Logic Diagram

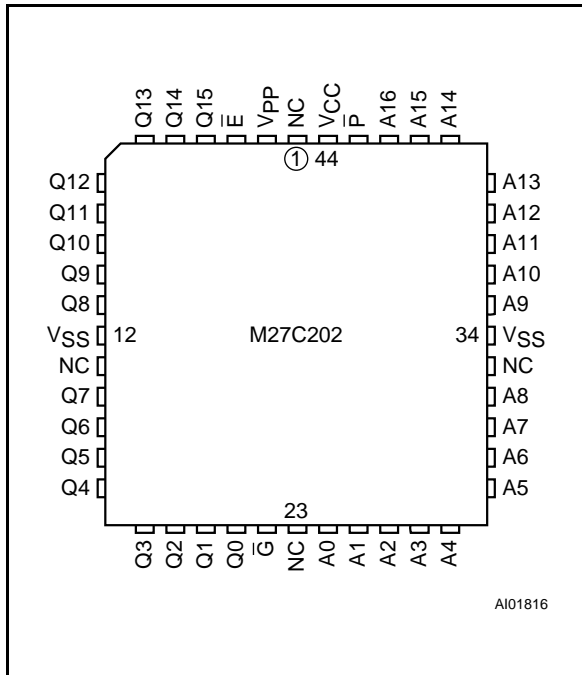


Signal Names

A0-A16	Address Inputs
Q0-Q15	Data Outputs
\bar{E}	Chip Enable
\bar{G}	Output Enable
\bar{P}	Program
V _{PP}	Program Supply
V _{CC}	Supply Voltage
V _{SS}	Ground

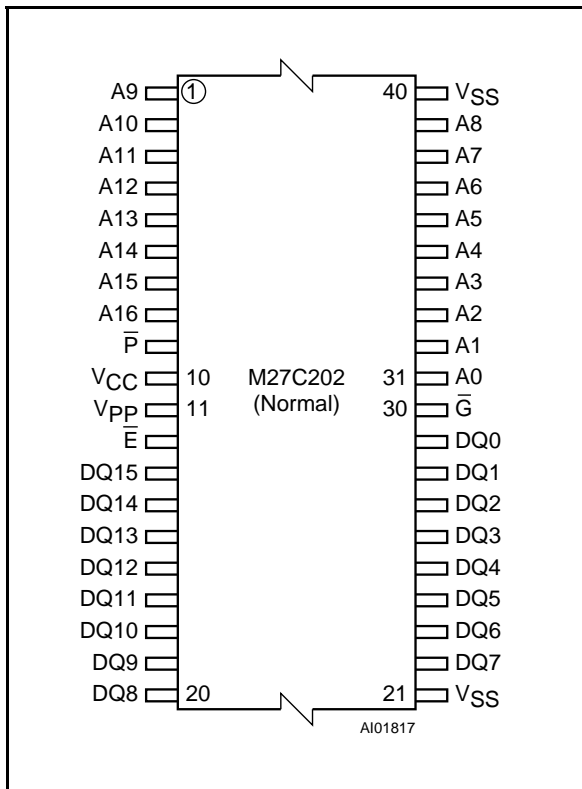
M27C202

LCC Pin Connections



Warning: NC = Not Connected.

TSOP Pin Connections



Ordering Information Scheme

For a list of available options refer to the current Memory Shortform catalogue.

For further information on any aspect of this device, please contact the SGS-THOMSON Sales Office nearest to you.

Example: M27C202 -12 K 1 TR

