

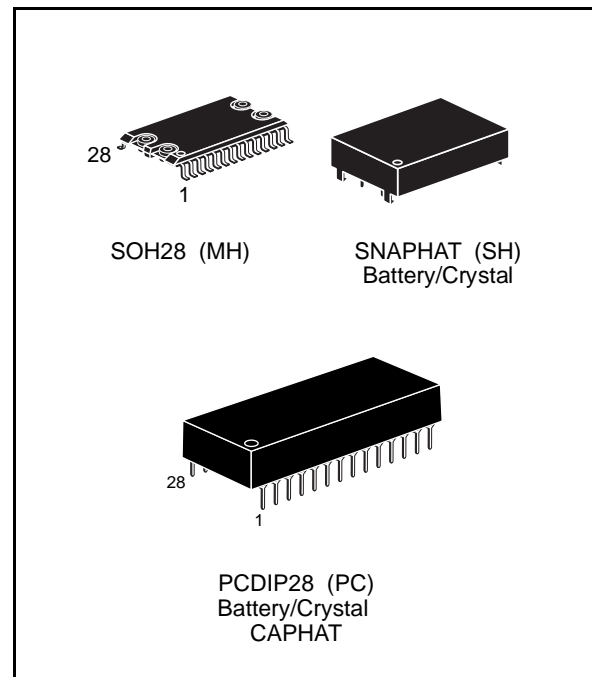


M48T35 M48T35Y

256 Kbit (32Kb x8) TIMEKEEPER[®] SRAM

DATA BRIEFING

- INTEGRATED ULTRA LOW POWER SRAM, REAL TIME CLOCK, POWER-FAIL CONTROL CIRCUIT and BATTERY
- BYTEWIDE™ RAM-LIKE CLOCK ACCESS
- BCD CODED YEAR, MONTH, DAY, DATE, HOURS, MINUTES and SECONDS
- FREQUENCY TEST OUTPUT for REAL TIME CLOCK
- AUTOMATIC POWER-FAIL CHIP DESELECT and WRITE PROTECTION
- WRITE PROTECT VOLTAGES (V_{PFD} = Power-fail Deselect Voltage):
 - M48T35: $4.5\text{V} \leq V_{\text{PFD}} \leq 4.75\text{V}$
 - M48T35Y: $4.2\text{V} \leq V_{\text{PFD}} \leq 4.5\text{V}$
- SELF-CONTAINED BATTERY and CRYSTAL in the CAPHAT DIP PACKAGE
- SOIC PACKAGE PROVIDES DIRECT CONNECTION for a SNAPHAT HOUSING CONTAINING the BATTERY and CRYSTAL
- SNAPHAT[®] HOUSING (BATTERY and CRYSTAL) is REPLACEABLE
- PIN and FUNCTION COMPATIBLE with JEDEC STANDARD 32Kb x8 SRAMs



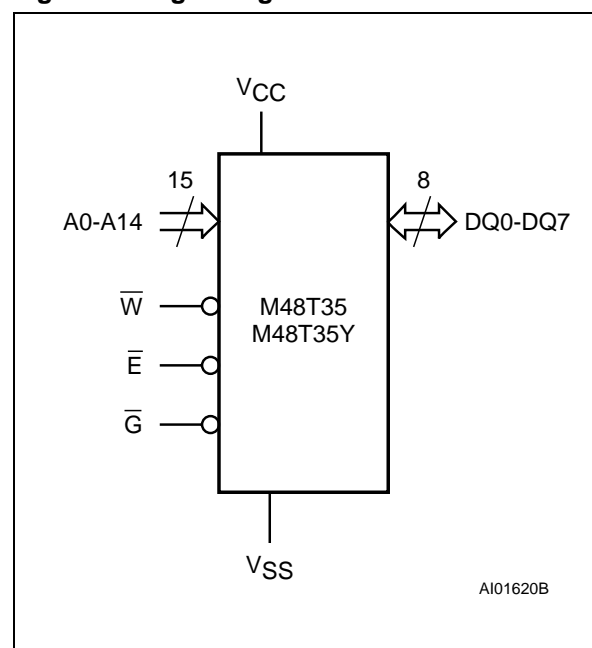
DESCRIPTION

The M48T35/35Y TIMEKEEPER[®] RAM is a 32Kb x8 non-volatile static RAM and real time clock. The monolithic chip is available in two special packages to provide a highly integrated battery backed-up memory and real time clock solution.

The M48T35/35Y is a non-volatile pin and function equivalent to any JEDEC standard 32Kb x8 SRAM. It also easily fits into many ROM, EPROM, and EEPROM sockets, providing the non-volatility of PROMs without any requirement for special write timing or limitations on the number of writes that can be performed.

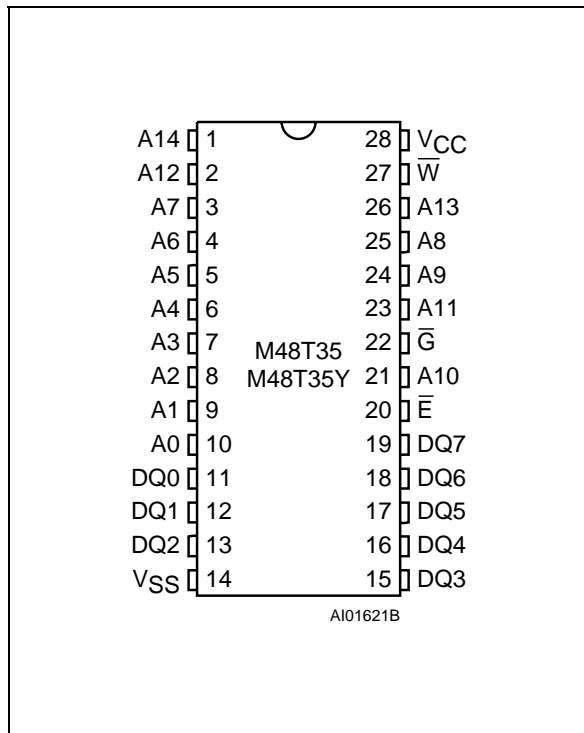
The 28 pin 600mil DIP CAPHAT™ houses the M48T35/35Y silicon with a quartz crystal and a long life lithium button cell in a single package.

Figure 1. Logic Diagram

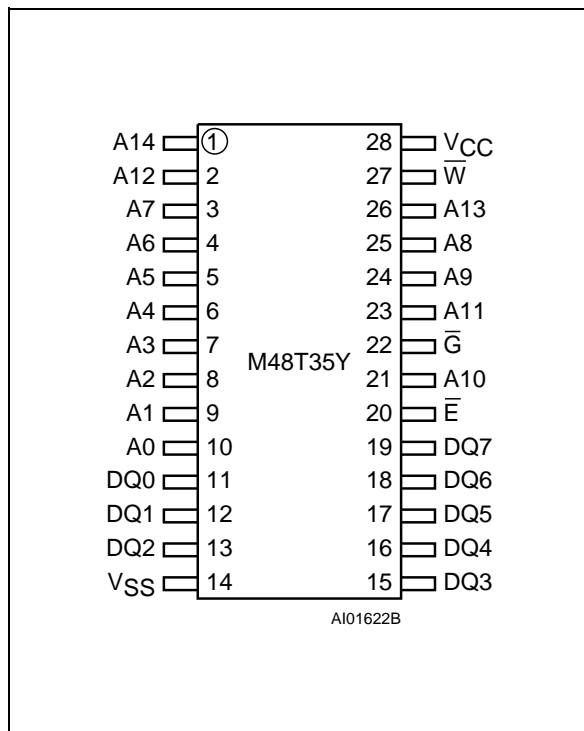


M48T35, M48T35Y

DIP Pin Connections



SO Pin Connections



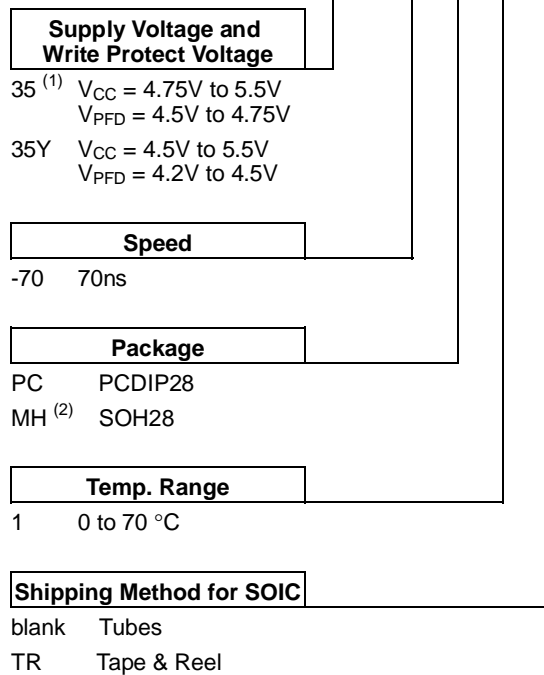
Signal Names

A0-A14	Address Inputs
DQ0-DQ7	Data Inputs / Outputs
E	Chip Enable
G	Output Enable
W	Write Enable
V _{CC}	Supply Voltage
V _{SS}	Ground

Ordering Information Scheme

For a list of available options or for further information on any aspect of this device, please contact the STMicroelectronics Sales Office nearest to you.

Example: M48T35Y -70 MH 1 TR



- Notes:**
- The M48T35 part is offered with the PCDIP28 (i.e. CAPHAT) package only.
 - The SOIC package (SOH28) requires the battery/crystal package (SNAPHAT) which is ordered separately under the part number "M4T28-BR12SH1" in plastic tube or "M4T28-BR12SH1TR" in Tape & Reel form.

Caution: Do not place the SNAPHAT battery/crystal package "M4T28-BR12SH1" in conductive foam since this will drain the lithium button-cell battery.