

HEX INVERTER

- **LOW POWER DISSIPATION**
 $I_{CC} = 1 \mu A$ (MAX.) at $T_A = 25^\circ C$
- **HIGH NOISE IMMUNITY**
 $V_{NIH} = V_{NIL} = 28\% V_{CC}$ (MIN.)
- **OUTPUT DRIVE CAPABILITY**
 10 LSTTL LOADS
- **SYMMETRICAL OUTPUT IMPEDANCE**
 $|I_{OH}| = I_{OL} = 4 mA$ (MIN.)
- **BALANCED PROPAGATION DELAYS**
 $t_{PLH} = t_{PHL}$
- **PIN AND FUNCTION COMPATIBLE**
 WITH 54/74LS04

DESCRIPTION

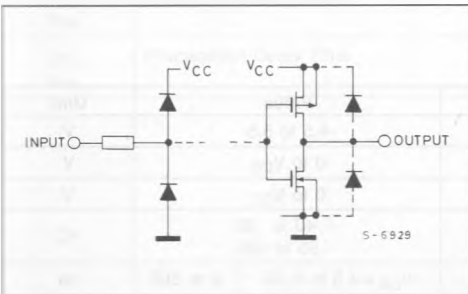
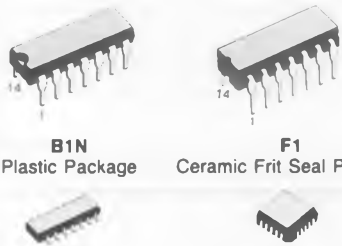
The M54/74HCT04 is a high speed CMOS INVERTER fabricated in silicon gate C²MOS technology. It has the same high speed performance of LSTTL combined with true CMOS low power consumption.

The internal circuit is composed of 3 stages including buffered output, which gives high noise immunity and a stable output.

All inputs are equipped with protection circuits against static discharge and transient excess voltage. This integrated circuit has input and output characteristic that are fully compatible with 54/74 LSTTL logic families.

M54HCT/74HCT devices are designed to directly interface HSC²MOS systems with TTL and NMOS components. They are also plug in replacements for LSTTL devices giving a reduction of power consumption.

INPUT AND OUTPUT EQUIVALENT CIRCUIT

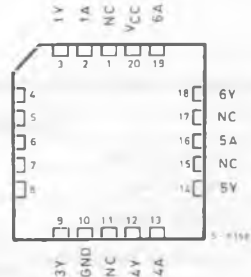
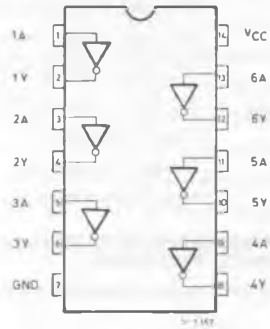
B1N Plastic Package **F1** Ceramic Frit Seal Package

M1 Micro Package **C1** Plastic Chip Carrier

ORDERING NUMBERS:

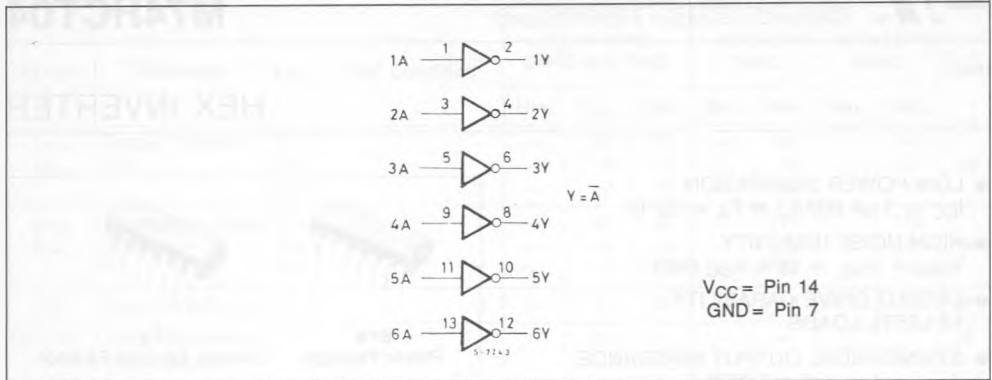
M54HCT04 F1	M74HCT04 C1
M74HCT04 B1N	M74HCT04 M1
M74HCT04 F1	

PIN CONNECTIONS (top view)



NC =
No Internal
Connection

LOGIC DIAGRAM



ABSOLUTE MAXIMUM RATINGS

Symbol	Parameter	Value	Unit
V_{CC}	Supply Voltage	- 0.5 to 7	V
V_I	DC Input Voltage	- 0.5 to $V_{CC} + 0.5$	V
V_O	DC Output Voltage	- 0.5 to $V_{CC} + 0.5$	V
I_{IK}	DC Input Diode Current	± 20	mA
I_{OK}	DC Output Diode Current	± 20	mA
I_O	DC Output Source Sink Current Per Output Pin	± 25	mA
I_{CC} or I_{GND}	DC V_{CC} or Ground Current	± 50	mA
P_D	Power Dissipation	500 (*)	mW
T_{stg}	Storage Temperature	- 65 to 150	$^{\circ}\text{C}$
T_L	Lead Temperature (10 sec)	300	$^{\circ}\text{C}$

Absolute Maximum Ratings are those values beyond which damage to the device may occur. Functional operation under these condition is not implied.

(*) 500 mW: $\cong 65^{\circ}\text{C}$ derate to 300 mW by 10 mW/ $^{\circ}\text{C}$: 65°C to 85°C

RECOMMENDED OPERATING CONDITIONS

Symbol	Parameter	Value	Unit
V_{CC}	Supply Voltage	4.5 to 5.5	V
V_I	Input Voltage	0 to V_{CC}	V
V_O	Output Voltage	0 to V_{CC}	V
T_A	Operating Temperature	74HC Series 54HC Series	$^{\circ}\text{C}$
t_r, t_f	Input Rise and Fall Time	$V_{CC} = 4.5$ to 5.5V	0 to 500 ns

DC SPECIFICATIONS

Symbol	Parameter	V _{CC}	Test Condition	T _A = 25°C 54HC and 74HC			-40 to 85°C 74HC		-55 to 125°C 54HC		Unit
				Min.	Typ.	Max.	Min.	Max.	Min.	Max.	
V _{IH}	High Level Input Voltage	4.5 to 5.5		— 2.0 —	— — —	— — —	— 2.0 —	— — —	— 2.0 —	— — —	V
V _{IL}	Low Level Input Voltage	4.5 to 5.5		— — —	— — —	— — 0.8 —	— — —	— — 0.8 —	— — —	— — 0.8 —	V
V _{OH}	High Level Output Voltage	4.5 4.5	V _I	I _O							V
			V _{IH} or V _{IL}	-20 μA -4.0 mA	4.4 4.18	4.5 4.31	— —	4.4 4.13	— —	4.4 4.10	
V _{OL}	Low Level Output Voltage	4.5 4.5	V _I	I _O							V
			V _{IH} or V _{IL}	20 μA 4.0 mA	— —	0.0 0.17	0.1 0.26	— —	0.1 0.33	— —	
I _I	Input Leakage Current	5.5	V _I = V _{CC} or GND	—	—	±0.1	—	±1.0	—	±1.0	μA
I _{CC}	Quiescent Supply Current	5.5	V _{IN} = V _{CC} or GND	—	—	1	—	10	—	20	μA
ΔI _{CC}	Additional worst case supply current	5.5	Per Input pin V _{IN} = 2.4V Other inputs at V _{CC} or GND I _O = 0	—	—	2.0	—	2.9	—	3.0	mA

AC ELECTRICAL CHARACTERISTICS (V_{CC} = 5V, C_L = 15pF, Input t_r = t_f = 6ns, T_A = 25°C)

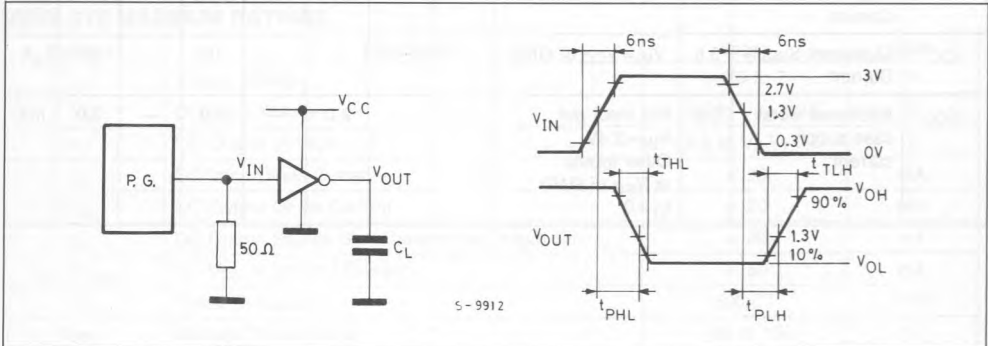
Symbol	Parameter	54HC and 74HC			Unit
		Min.	Typ.	Max.	
t _{TLH} t _{THL}	Output Transition Time		4	8	ns
t _{PLH} t _{PHL}	Propagation Delay Time		10	17	ns

AC ELECTRICAL CHARACTERISTICS ($C_L = 50\text{pF}$, Input $t_r = t_f = 6\text{ns}$)

Symbol	Parameter	V_{CC}	Test Condition	$T_A = 25^\circ\text{C}$ 54HC and 74HC			$-40\text{ to }85^\circ\text{C}$ 74HC		$-55\text{ to }125^\circ\text{C}$ 54HC		Unit
				Min.	Typ.	Max.	Min.	Max.	Min.	Max.	
t_{TLH}	Output Transition Time	4.5		—	8	15	—	19	—	22	ns
t_{PLH} t_{PHL}	Propagation Delay Time	4.5		—	13	20	—	25	—	30	
C_{IN}	Input Capacitance			—	5	10	—	10	—	10	pF
$C_{PD} (*)$	Power Dissipation Capacitance			—	25	—	—	—	—	—	pF

Note (*) C_{PD} is defined as the value of the IC's internal equivalent capacitance which is calculated from the operating current consumption without load (refer to Test circuit).
Average operating current can be obtained by the following equation: $I_{CC(opr.)} = C_{PD} \cdot V_{CC} \cdot f_{IN} + I_{CC}/6$

SWITCHING CHARACTERISTICS TEST CIRCUIT



TEST CIRCUIT I_{CC} (Opr.)

