

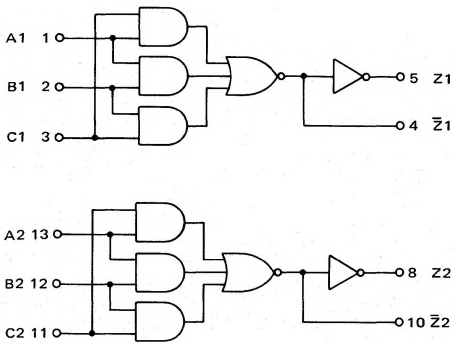
DUAL  
MAJORITY LOGIC GATE

MC4300/MC4000 series

MC4062P\*

Advance Information

This integrated circuit offers the designer additional versatility in logic design. When any two or all three of the inputs are raised to the "1" level, the output goes to the "1" level. The output, Z, and its complement,  $\bar{Z}$ , are both available.

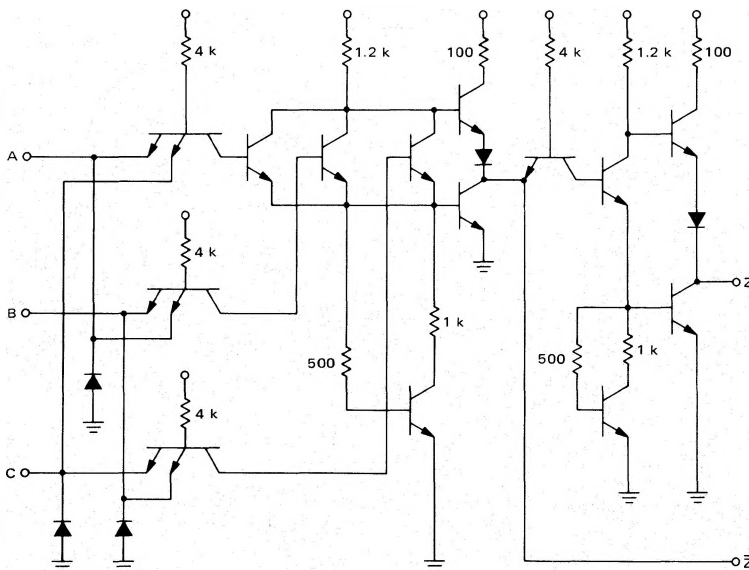


V<sub>CC</sub> = Pin 14  
GND = Pin 7

INPUT			OUTPUT	
A	B	C	Z	$\bar{Z}$
0	0	0	0	1
0	0	1	0	1
0	1	0	0	1
0	1	1	1	0
1	0	0	0	1
1	0	1	1	0
1	1	0	1	0
1	1	1	1	0

Total Power Dissipation = 75 mW typ/pkg  
Propagation Delay Time = 20 ns typ (Z Output)  
11 ns typ ( $\bar{Z}$  Output)

CIRCUIT SCHEMATIC  
(1/2 OF DEVICE SHOWN)



This is advance information on a new introduction and specifications are subject to change without notice.  
\*P suffix = TO-116 dual in-line plastic package (Case 605).