

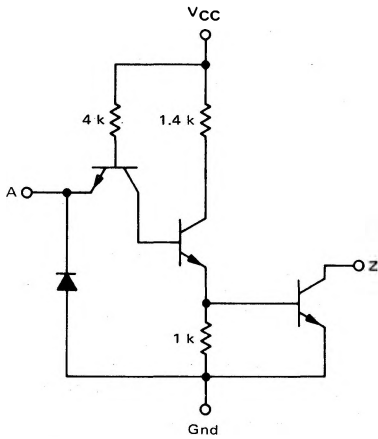
HEX INVERTER
(Open Collector)

MC5400/7400 series

MC5405 • MC7405

Add Suffix F for TO-86 ceramic package (Case 607).
 Suffix L for TO-116 ceramic package (Case 632).
 Suffix P for TO-116 plastic package (Case 605) MC7405 only.

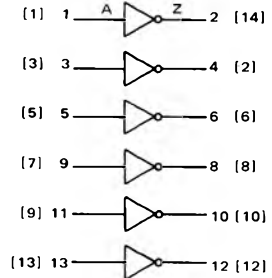
CIRCUIT SCHEMATIC
1/6 OF CIRCUIT SHOWN



VCC = Pin 14 [4]
 Gnd = Pin 7 [11]

This device consists of six independent inverting gates with no output pullup circuits. It can be used where the Wired-OR function is required, or for driving discrete components.

[FLAT] DIL
 Pkg Pin Pkg Pin



Positive Logic: $Z = \bar{A}$

Input Loading Factor = 1
 Output Loading Factor = 10
 Total Power Dissipation = 60 mW typ/pkg
 Propagation Delay Time = 35 ns typ

SWITCHING TIME TEST CIRCUIT AND WAVEFORMS

