

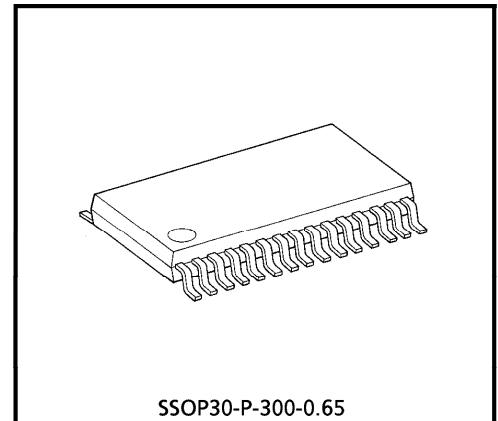
TA2122AFN**RF AMPLIFIER FOR DIGITAL SERVO CD SYSTEM**

TA2122AFN is a 3-beam type PUH and 1-beam type PUH compatible RF Amplifier for Digital Servo to be used in the CD system.

In combination with a CMOS single chip processor TC9432AF, TC9462F and TC9495F, a CD system can be composed very simply.

FEATURES

- Built in amplifier for reference (V_{REF} , $2V_{REF}$) supply.
- Built in Auto Laser Power Control circuit.
- Built in RF amplifier.
- Built in focus error amp and tracking error amp.
- Built in sub-beam adder signal amplifier.
- Capable of tracking balance control with TC9432AF, TC9462F and TC9495F.
- Capable of RF gain adjustment circuit with TC9432AF, TC9462F and TC9495F.
- Built in signal amplifier for track counter.
- Capable of 4 times speed operation.
- 30 pin mini flat package.

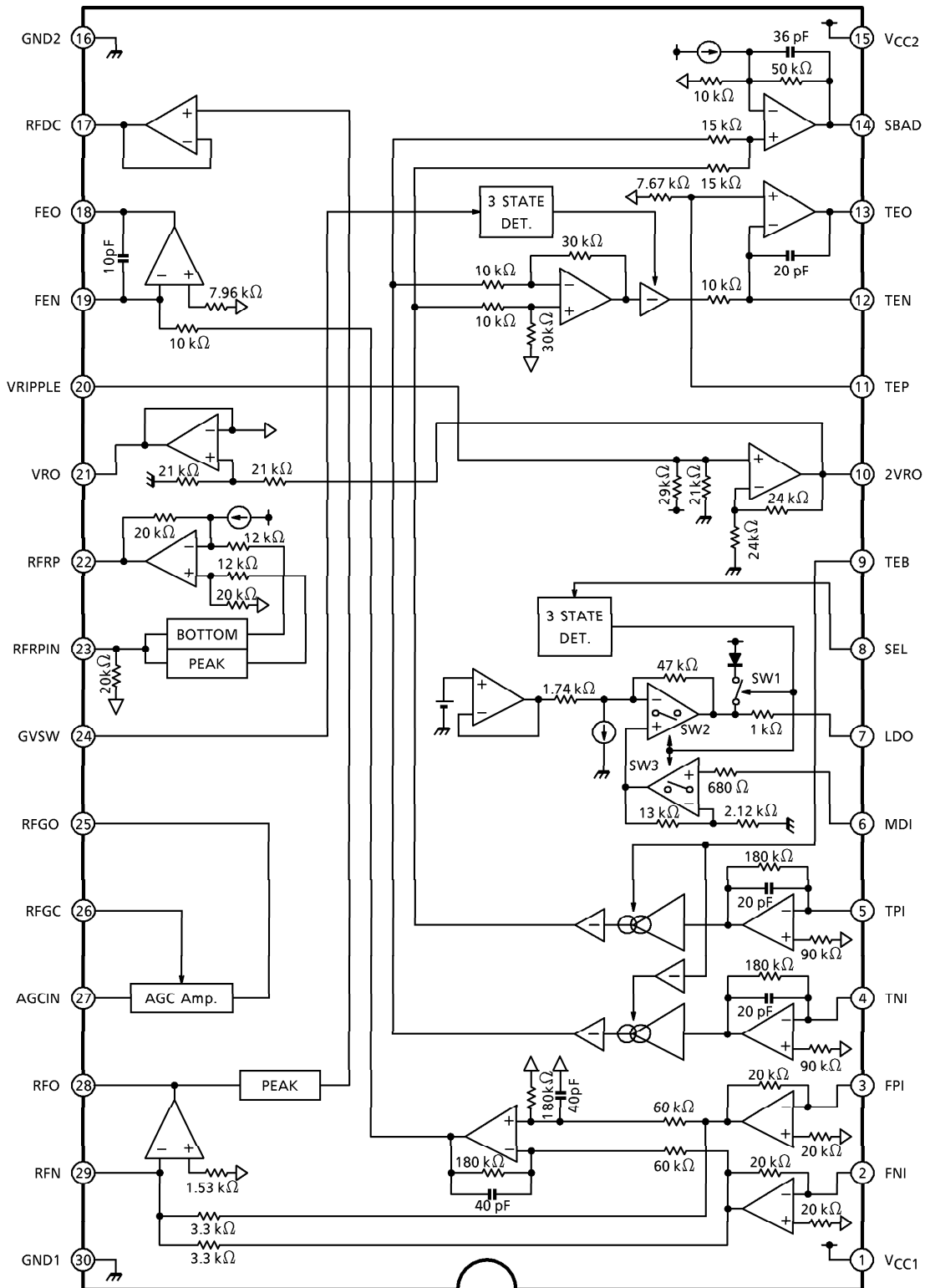


SSOP30-P-300-0.65
Weight : 0.17 g (Typ.)

980910EBA1

- TOSHIBA is continually working to improve the quality and the reliability of its products. Nevertheless, semiconductor devices in general can malfunction or fail due to their inherent electrical sensitivity and vulnerability to physical stress. It is the responsibility of the buyer, when utilizing TOSHIBA products, to observe standards of safety, and to avoid situations in which a malfunction or failure of a TOSHIBA product could cause loss of human life, bodily injury or damage to property. In developing your designs, please ensure that TOSHIBA products are used within specified operating ranges as set forth in the most recent products specifications. Also, please keep in mind the precautions and conditions set forth in the TOSHIBA Semiconductor Reliability Handbook.
- The products described in this document are subject to the foreign exchange and foreign trade laws.
- The information contained herein is presented only as a guide for the applications of our products. No responsibility is assumed by TOSHIBA CORPORATION for any infringements of intellectual property or other rights of the third parties which may result from its use. No license is granted by implication or otherwise under any intellectual property or other rights of TOSHIBA CORPORATION or others.
- The information contained herein is subject to change without notice.

BLOCK DIAGRAM



SEL	LDC		
	SW1	SW2	SW3
GND	ON	OFF	OFF
Hiz	OFF	ON	ON
VCC	OFF	ON	ON

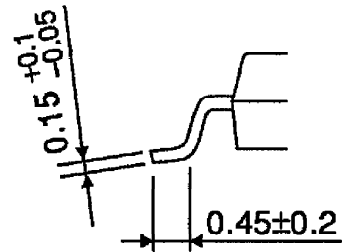
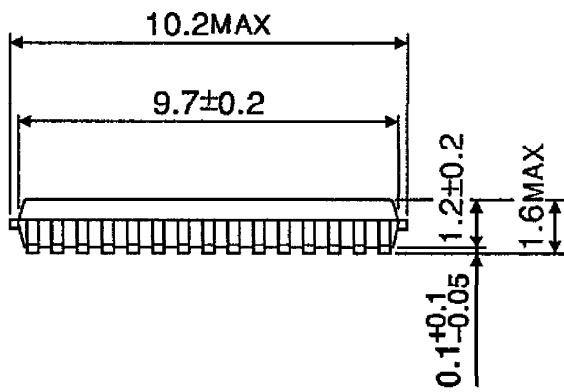
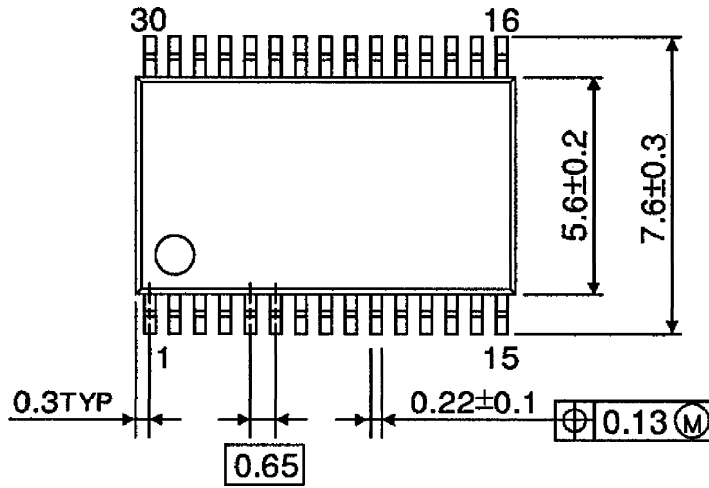
GVSW	TE GAIN
GND	-3 dB
Hiz	0 dB
VCC	+3 dB

PIN FUNCTION

PIN No.	SYMBOL	I/O	FUNCTIONAL DESCRIPTION	REMARK
1	V _{CC1}	—	Power supply input terminal	—
2	FNI	I	Main beam I-V amp input terminal	Connected to pin diode A, C
3	FPI	I	Main beam I-V amp input terminal	Connected to pin diode B, D
4	TNI	I	Sub beam I-V amp input terminal	Connected to pin diode E
5	TPI	I	Sub beam I-V amp input terminal	Connected to pin diode F
6	MDI	I	Monitor photo diode amp input terminal	Connected to monitor photo diode
7	LDO	O	Laser diode amp output terminal	Connected to laser control circuit
8	SEL	I	Laser diode control signal input terminal and APC circuit ON/OFF control signal input terminal	3 signal input (V _{CC} , Hiz, GND)
9	TEB	I	Tracking error balance adjustment signal input terminal Controlled by 3 PWM signal (PWM carrier = 88.2 kHz)	3 signal input (2VR, VR, GND)
10	2VRO	O	Reference voltage (2VR) output terminal 2VR = 4.2 V when V _{CC} = 5 V	—
11	TEP	I	TE amp positive input terminal	—
12	TEN	I	TE amp negative input terminal	Connected to TEO through feedback register
13	TEO	O	TE error signal output terminal	—
14	SBAD	O	Sub beam adder signal output terminal	—
15	V _{CC2}	—	Power supply input terminal	—
16	GND2	—	Ground terminal	—
17	RFDC	O	RF signal peak detect output terminal	—
18	FEO	O	Focus error signal output terminal	—
19	FEN	I	FE amp negative input terminal	Connected to FEO through feedback register
20	VRIPPLE	O	Reference voltage (2VR) filter capacitor connecting terminal	—
21	VRO	O	Reference voltage (VR) output terminal VR = 2.1 V when V _{CC} = 5 V	—
22	RFRP	O	Track count signal output terminal	—
23	RFIS	I	RFRP detect circuit input terminal	Connected to RFO through condenser
24	GVSUW	I	TE amp gain control signal input terminal	3 signal input (V _{CC} , Hiz, GND)
25	RFGO	O	RF gain signal output terminal	—
26	RFGC	I	RF amplitude adjustment control signal input terminal Controlled by 3 PWM signal (PWM carrier = 88.2 kHz)	Input range : VR ± 2.1 V
27	AGCI	I	RF signal amplitude adjustment amp input terminal	Connected to RFO through condenser
28	RFO	O	RF signal output terminal	—
29	RFN	I	RF amp negative input terminal	—
30	GND1	—	Ground terminal	—

PACKAGE DIMENSIONS
SSOP30-P-300-0.65

Unit : mm



Weight : 0.17 g (Typ.)