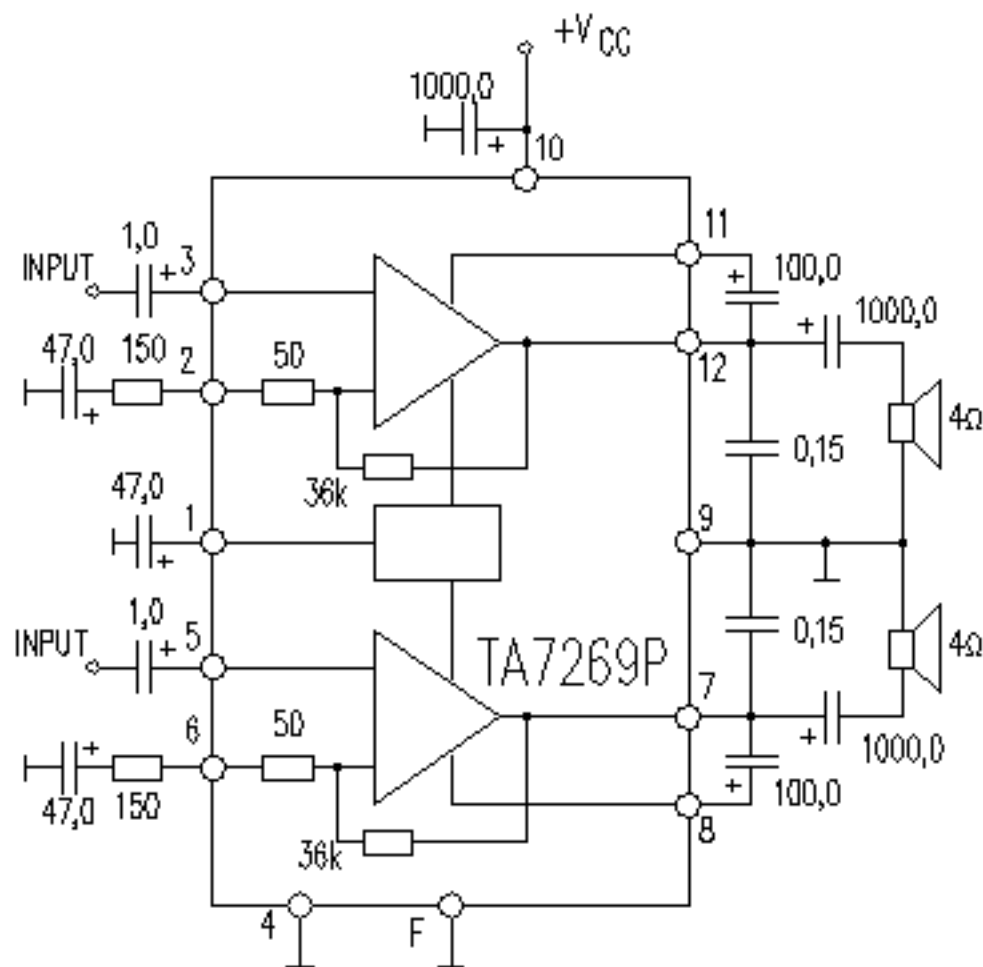


TA7269P

POWER AMPLIFIER 2x7W



$V_{CC \text{ MAX}} = 20V$

$V_{CC \text{ TYP}} = 15V$

$V_{CC \text{ RNG}} = 6...20V$

$P_o = 2 \times 7W$

$R_L = 3 \text{ Ohm}$

$TDH = 10\%$

$I_{CCO \text{ TYP}} = 35mA$

$I_{CCO \text{ MAX}} = 60mA$

$I_{MAX} = 4A$

$R_{IN} = 30k$

Gain = 45dB

Noise = 2,5mkV

$R_{THJ-C} = -$

Case ZIL12