

# TA7354P

## BRIDGE DRIVER

The TA7354P is a Bridge Driver for brushed DC Motor Rotation control.

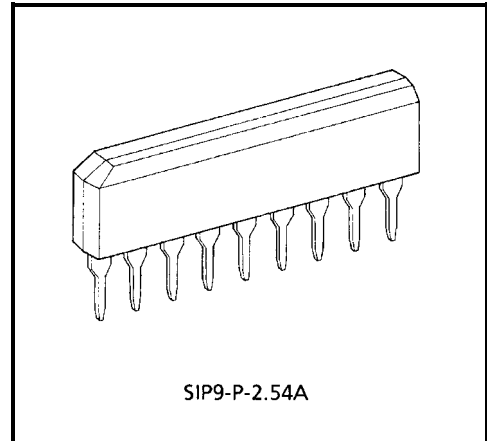
Forward Rotation, Reverse Rotation, Stop and Braking operations are available.

It's designed for Loading and Reel Motor driver for VTR and Tape Deck, and any other consumer and industrial applications.

TA7354P have Operation Supply Voltage terminal and Motor Driving Supply Voltage terminal independently, therefore Servo control operation is applicable.

## FEATURES

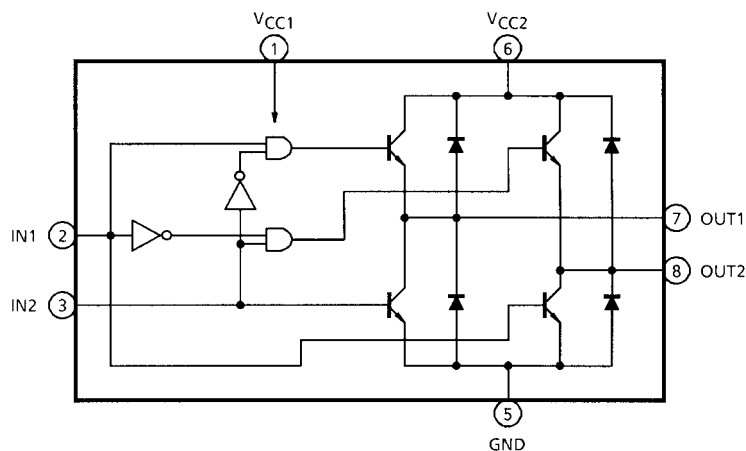
- Output Current Up to 0.2 A (AVE.), and 0.6 A (PEAK).
- 4 Function Modes (CW, CCW, STOP and Brake) are Controlled by 2 Logic Signals Fed Into 2 Input Terminals.
- Operating Voltage Range : VCC = 6~15 V



SIP9-P-2.54A

Weight: 0.92 g (Typ.)

## BLOCK DIAGRAM



## PIN FUNCTION

PIN No.	SYMBOL	FUNCTION DESCRIPTION
1	V <sub>CC1</sub>	Supply voltage terminal for control part
2	IN1	Input terminal-1
3	IN2	Input terminal-2
4	—	No. connection
5	GND	GND terminal
6	V <sub>CC2</sub>	Supply voltage terminal for output part
7	OUT1	Output terminal-1
8	OUT2	Output terminal-2
9	—	No. connection

## FUNCTION

IN1	IN2	OUT1	OUT2	MODE
1	1	L	L	Brake
0	1	L	H	CW / CCW
1	0	H	L	CCW / CW
0	0	High Impedance		Stop

## MAXIMUM RATINGS (Ta = 25°C)

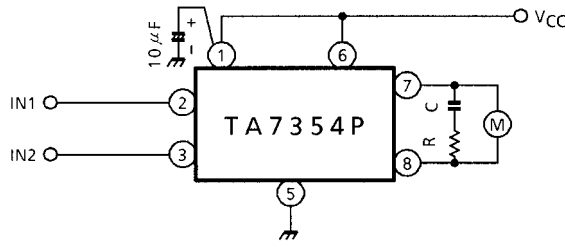
CHARACTERISTIC		SYMBOL	RATING	UNIT
Supply Voltage	PEAK	V <sub>CC</sub> (MAX.)	18	V
	OPERATE	V <sub>CC</sub> (ope.)	15	
Output Current	PEAK	I <sub>O</sub> (PEAK)	0.6	A
	AVE.	I <sub>O</sub> (AVE.)	0.2	
Power Dissipation		P <sub>D</sub> (Note)	0.75	W
Operating Temperature		T <sub>opr</sub>	-30~75	°C
Storage Temperature		T <sub>stg</sub>	-55~150	°C

Note: No Heat Sink

## ELECTRICAL CHARACTERISTICS (Unless otherwise specified, Ta = 25°C)

CHARACTERISTIC		SYMBOL	TEST CIR-CUIT	TEST CONDITION	MIN	TYP.	MAX	UNIT
Supply Current		I <sub>CC1</sub>	—	V <sub>CC1</sub> = V <sub>CC2</sub> = 15 V I <sub>O</sub> = 0.2 A Drive mode	—	22	33	mA
		I <sub>CC2</sub>		V <sub>CC1</sub> = V <sub>CC2</sub> = 15 V Brake mode	—	30	38	
		I <sub>CC3</sub>		V <sub>CC1</sub> = V <sub>CC2</sub> = 15 V Stop mode	—	0.2	1	
Saturation Voltage	Upper	V <sub>S1 U</sub>	—	V <sub>CC1</sub> = V <sub>CC2</sub> = 15 V I <sub>O</sub> = 0.1 A	—	0.8	1.05	V
	Lower	V <sub>S1 L</sub>			—	0.15	0.25	
	Upper	V <sub>S2 U</sub>		V <sub>CC1</sub> = V <sub>CC2</sub> = 15 V I <sub>O</sub> = 0.2 A	—	0.9	1.2	
	Lower	V <sub>S2 L</sub>			—	0.3	0.5	
Leakage Current	Upper	I <sub>L U</sub>	—	V = 15 V	—	—	20	μA
	Lower	I <sub>L L</sub>			—	—	20	
Input Voltage 1, 2		V <sub>IN</sub> (H)	—	T <sub>j</sub> = 25°C Pin (1) and pin (2)	2.0	—	—	V
		V <sub>IN</sub> (L)			—	—	0.8	
Input Current 1, 2		I <sub>IN1, 2</sub>	—	V <sub>IN</sub> = 4.5 V	—	—	350	μA
Diode Forward Voltage		V <sub>F U</sub>	—	I <sub>F</sub> = 0.2 A	—	1.2	1.6	V
		V <sub>F L</sub>			—	1.0	1.3	

**APPLICATION CIRCUIT**



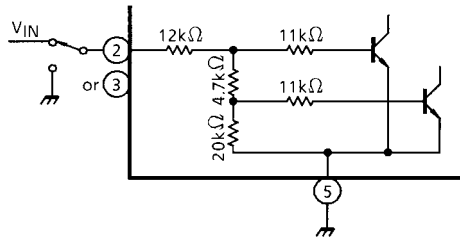
**Fig. 1**

Note: Fig.1 shows the basic application circuit.

Optimum values of the C, R depend on the inherent constant of a motor and parasitic C, R values around the circuit.

**APPLICATION NOTE**

(1) Input circuit



**Fig. 2**

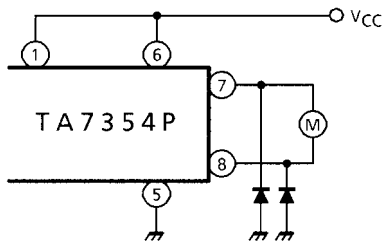
Input circuit is shown in Fig.2. It's a "High Active" type.

If a voltage above specified  $V_{IN(H)}$  value fed into input terminal that means "Logic 1", and the voltage less than  $V_{IN(L)}$  or connect to GND means "Logic 0".

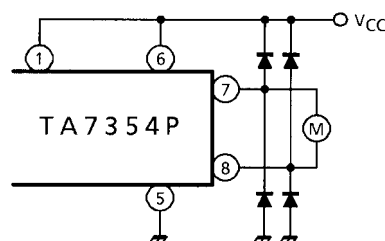
And the circuit have a hysteresis for stable operation. (See Fig.1)

(2) If the braking operation is so loose, connect a additional diode between each output to GND. (See Fig.3)

(3) If the back electromotive pulse generated in output coil is so strong. Internally connected back electromotive suppression diode may be damaged by this pulse. In such a case connect a additional diode between each output to VCC. (See Fig.4)



**Fig. 3**



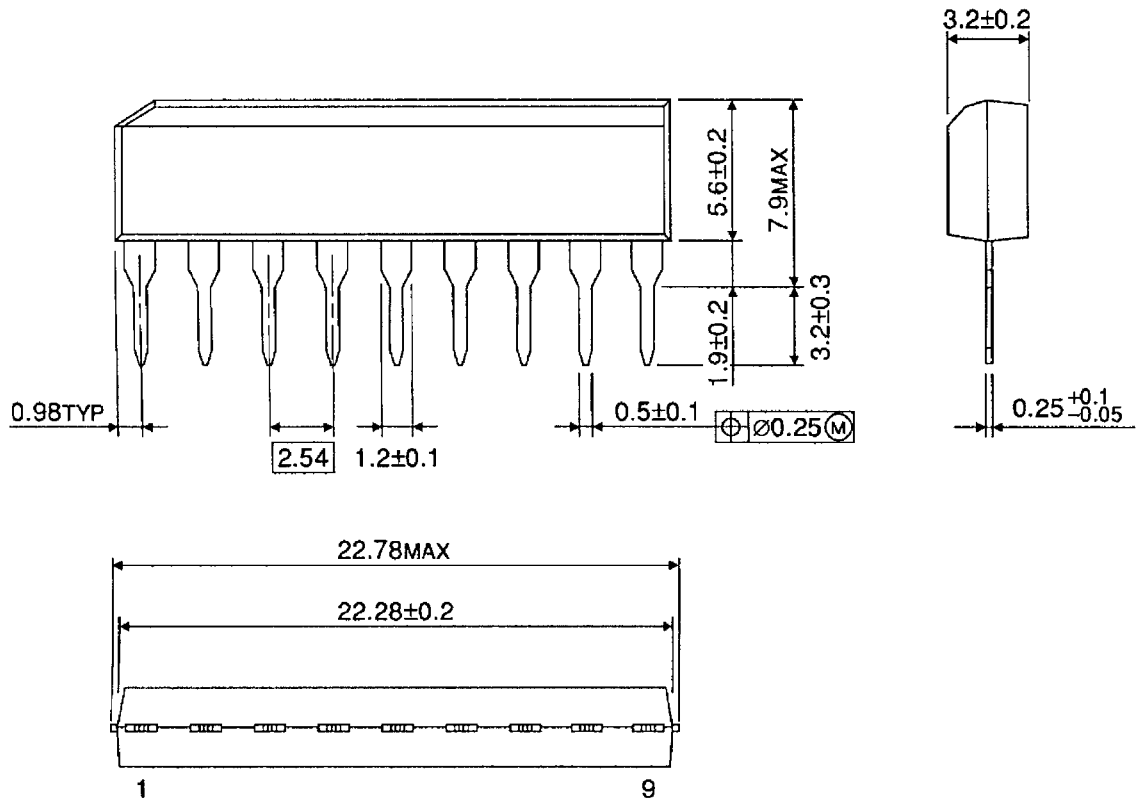
**Fig. 4**

(4) Utmost care is necessary in the design of the output line, VCC and GND line since IC may be destroyed due to short-circuit between outputs, air contamination fault, or fault by improper grounding.

## PACKAGE DIMENSIONS

SIP9-P-2.54A

Unit: mm



Weight: 0.92 g (Typ.)

**RESTRICTIONS ON PRODUCT USE**

000707EBA

- TOSHIBA is continually working to improve the quality and reliability of its products. Nevertheless, semiconductor devices in general can malfunction or fail due to their inherent electrical sensitivity and vulnerability to physical stress. It is the responsibility of the buyer, when utilizing TOSHIBA products, to comply with the standards of safety in making a safe design for the entire system, and to avoid situations in which a malfunction or failure of such TOSHIBA products could cause loss of human life, bodily injury or damage to property.  
In developing your designs, please ensure that TOSHIBA products are used within specified operating ranges as set forth in the most recent TOSHIBA products specifications. Also, please keep in mind the precautions and conditions set forth in the "Handling Guide for Semiconductor Devices," or "TOSHIBA Semiconductor Reliability Handbook" etc..
- The TOSHIBA products listed in this document are intended for usage in general electronics applications (computer, personal equipment, office equipment, measuring equipment, industrial robotics, domestic appliances, etc.). These TOSHIBA products are neither intended nor warranted for usage in equipment that requires extraordinarily high quality and/or reliability or a malfunction or failure of which may cause loss of human life or bodily injury ("Unintended Usage"). Unintended Usage include atomic energy control instruments, airplane or spaceship instruments, transportation instruments, traffic signal instruments, combustion control instruments, medical instruments, all types of safety devices, etc.. Unintended Usage of TOSHIBA products listed in this document shall be made at the customer's own risk.
- The products described in this document are subject to the foreign exchange and foreign trade laws.
- The information contained herein is presented only as a guide for the applications of our products. No responsibility is assumed by TOSHIBA CORPORATION for any infringements of intellectual property or other rights of the third parties which may result from its use. No license is granted by implication or otherwise under any intellectual property or other rights of TOSHIBA CORPORATION or others.
- The information contained herein is subject to change without notice.