

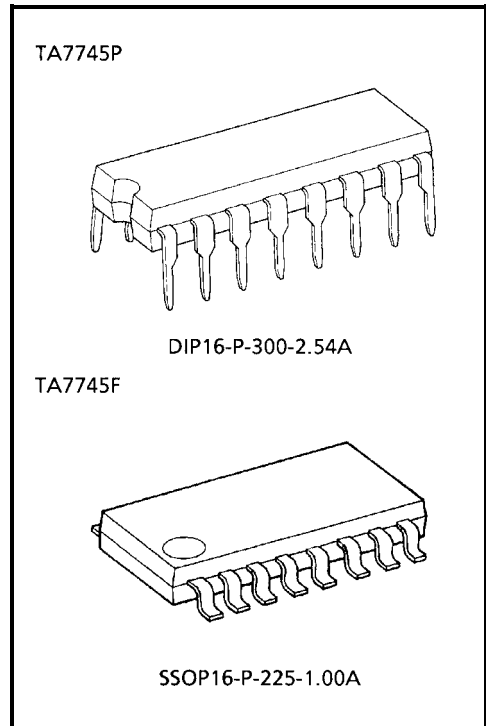
TOSHIBA BIPOLAR LINEAR INTEGRATED CIRCUIT SILICON MONOLITHIC

# TA7745P, TA7745F

## DC MOTOR DRIVER

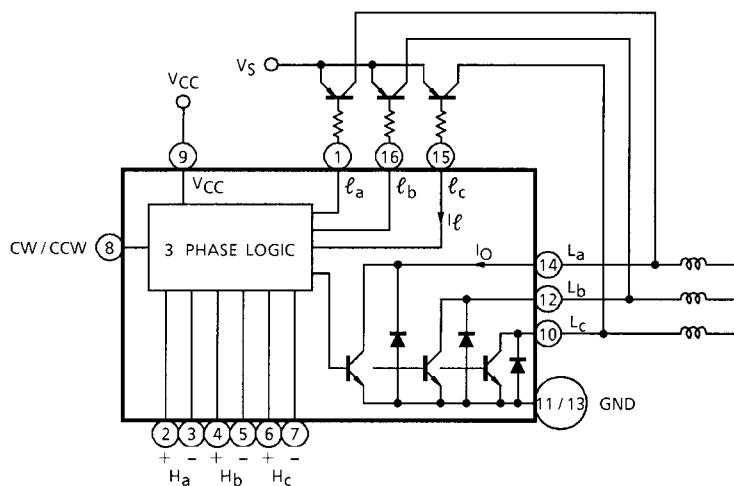
### FEATURES

- 3 Phase Power Driver.
- Voltage Control System.
- High Efficiency is Obtained.
- Capsealed in Flat Package 16Pin.
- Operating Voltage Range :  $V_{CC} = 4.0\sim 15\text{ V}$   
 $V_S = 2\sim 15\text{ V}$
- High Sensitivity of Position Sensing Inputs and Have a Hysteresis :  $V_H = 20\text{ mV}_{p-p}$  (Typ.)
- Output Current :  $I_O$  (MAX.) = 1.0 A
- Build in Thermal Shut Down Circuit.
- Forward and Reverse Rotation and Stop Modes are Available by Means of Rotation Control Terminal.



Weight  
 DIP16-P-300-2.54A : 1.11g (Typ.)  
 SSOP16-P-225-1.00A: 0.14g (Typ.)

### BLOCK DIAGRAM



## PIN FUNCTION

PIN No.	SYMBOL	FUNCTIONAL DESCRIPTION
1	$\text{I}_a$	a-phase Pre-drive stage output terminal
2	$H_{a+}$	a-phase Hall Amp. positive input terminal
3	$H_{a-}$	a-phase Hall Amp. negative input terminal
4	$H_{b+}$	b-phase Hall Amp. positive input terminal
5	$H_{b-}$	b-phase Hall Amp. negative input terminal
6	$H_{c+}$	c-phase Hall Amp. positive input terminal
7	$H_{c-}$	c-phase Hall Amp. negative input terminal
8	CW / CCW	Forward rotation / reverse rotation switch terminal
9	$V_{CC}$	Power Supply input terminal
10	$L_c$	c-phase drive output terminal
11	GND	GND terminal
12	$L_b$	b-phase drive output terminal
13	GND	GND terminal
14	$L_a$	a-phase drive output terminal
15	$\text{I}_c$	c-phase Pre-drive stage output terminal
16	$\text{I}_b$	b-phase Pre-drive stage output terminal

## FUNCTION

FRS (8) PIN)	POSITION SENSING INPUT			COIL OUTPUT		
	$H_a$	$H_b$	$H_c$	$L_a$	$L_b$	$L_c$
$V_{RVS}$	1	0	1	H	L	M
	1	0	0	H	M	L
	1	1	0	M	H	L
	0	1	0	L	H	M
	0	1	1	L	M	H
	0	0	1	M	L	H
$V_{FWD}$	1	0	1	L	H	M
	1	0	0	L	M	H
	1	1	0	M	L	H
	0	1	0	H	L	M
	0	1	1	H	M	L
	0	0	1	M	H	L
$V_{STOP}$	1	0	1	High Impedance		
	1	0	0			
	1	1	0			
	0	1	0			
	0	1	1			
	0	0	1			

## MAXIMUM RATINGS (Ta = 25°C)

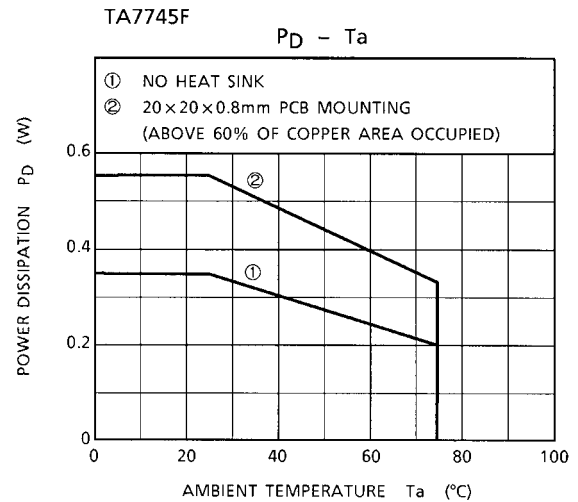
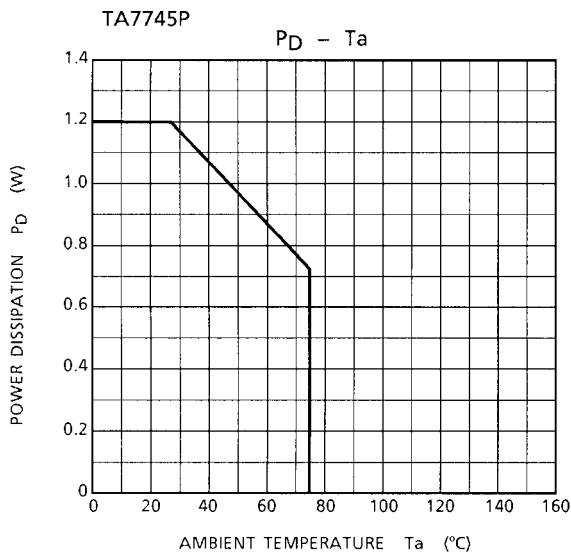
CHARACTERISTIC		SYMBOL	RATING	UNIT
Supply Voltage		V <sub>CC</sub>	18	V
		V <sub>S</sub>	18	V
Output Current		I <sub>O</sub>	1.0	A
		I <sub>t</sub>	20.0	mA
Power Dissipation	TA7745P	P <sub>D</sub>	350	mW
			550 (Note)	
	TA7745F		1200	
Operating Temperature		T <sub>opr</sub>	-30~75	°C
Storage Temperature		T <sub>stg</sub>	-55~150	°C

Note: This rating is obtained by mounting on 20 × 20 × 0.8 mm PCB that occupied above 60% of copper area.

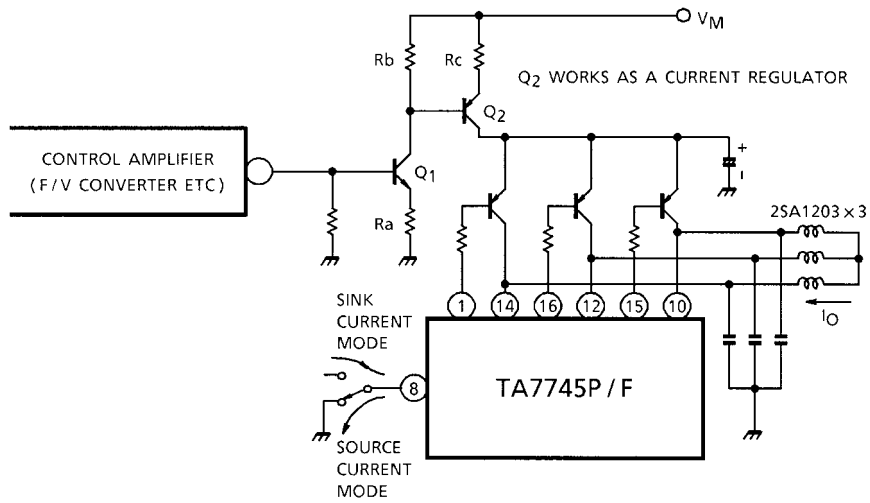
## ELECTRICAL CHARACTERISTICS (Unless otherwise specified, Ta = 25°C)

CHARACTERISTIC		SYMBOL	TEST CIR-CUIT	TEST CONDITION	MIN	TYP.	MAX	UNIT
Supply Current		I <sub>CC1</sub>		V <sub>CC</sub> = 5 V, Output "OPEN"	0.5	1	3.0	mA
		I <sub>CC2</sub>		V <sub>CC</sub> = 9 V, Output "OPEN"	0.6	1.3	3.5	
		I <sub>CC3</sub>		V <sub>CC</sub> = 12 V, Output "OPEN"	0.7	1.5	5.0	
Saturation Voltage	L <sub>a</sub> , L <sub>b</sub> , L <sub>c</sub> Side	V <sub>SL-1</sub>		I <sub>O</sub> = 0.1 A	—	0.12	0.3	V
		V <sub>SL-2</sub>		I <sub>O</sub> = 0.5 A	—	0.5	1.0	
	ℓ <sub>a</sub> , ℓ <sub>b</sub> , ℓ <sub>c</sub> Side	V <sub>SU</sub>		I <sub>ℓ</sub> = 1.0 mA	—	—	0.2	
Position Sensing Input	Sensitivity	V <sub>H</sub>			—	20	—	mV
	Operating DC Level	CMR-H			1	—	V <sub>CC</sub> -1.5	V
Diode Forward Voltage		V <sub>F</sub>		I <sub>F</sub> = 1 A	—	2.0	—	V
Rotation Control Input Voltage	Forward	V <sub>FWD</sub>		Source current mode	3.9	—	V <sub>CC</sub>	V
	Stop	V <sub>STOP</sub>		No current flow (Note)	1.8	—	2.6	
	Reverse	V <sub>RVS</sub>		Sink current mode	0	—	0.9	
Saturation Voltage Differential (L <sub>a</sub> , L <sub>b</sub> , L <sub>c</sub> Side)		ΔV <sub>S</sub>		I <sub>O</sub> = 200 mA	—	—	50	mV
Leakage Current		I <sub>L</sub>		V = 18 V	—	—	50	μA

Note: IC is stop mode when (8) pin supplied 1.8 V~2.6 V or open.



**APPLICATION CIRCUIT 1**  
(3 phase Bi-Pola drive)

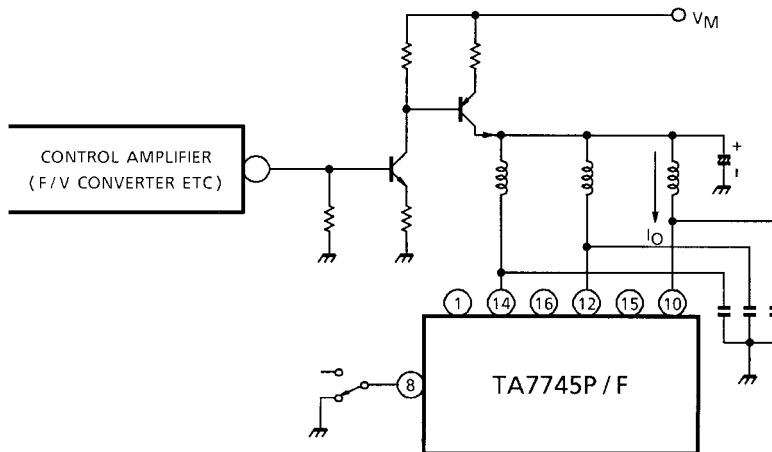


$$I_o \approx \frac{R_b}{R_a R_c} V_{IN} - \frac{1}{R_c} \left( \frac{R_b}{R_c} V_{BE1} + V_{BE2} \right)$$

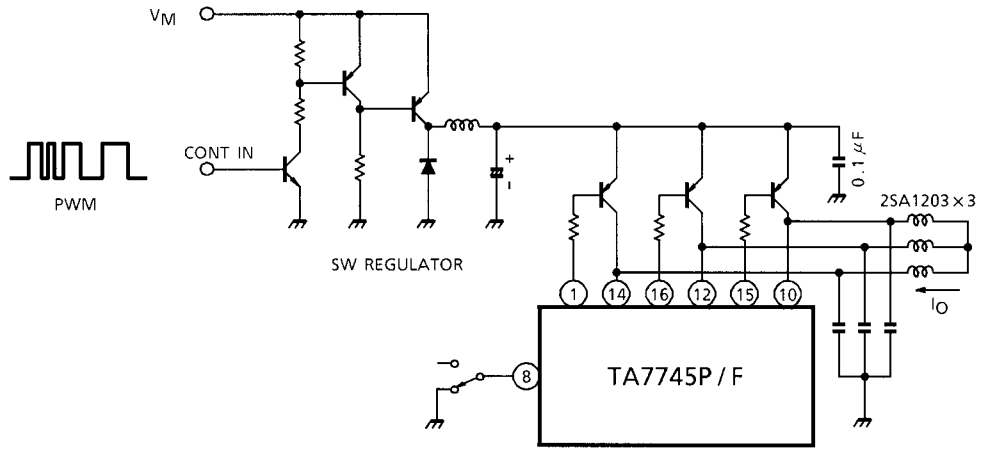
$$\approx (K_1 \cdot V_{IN}) + K_2$$

(K<sub>1</sub>, K<sub>2</sub> = CONSTANT)

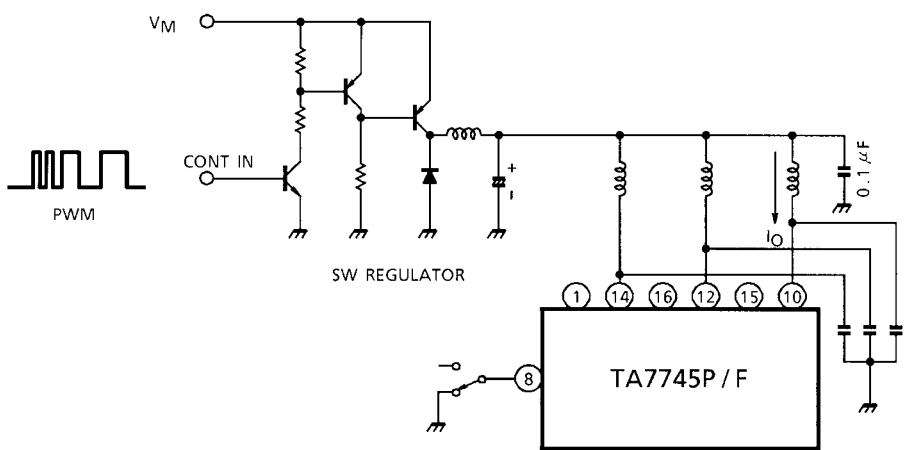
**APPLICATION CIRCUIT 2**  
(3 phase UNI-Pola drive)



**APPLICATION CIRCUIT 3**  
(High efficiency drive (UNI-Pola))



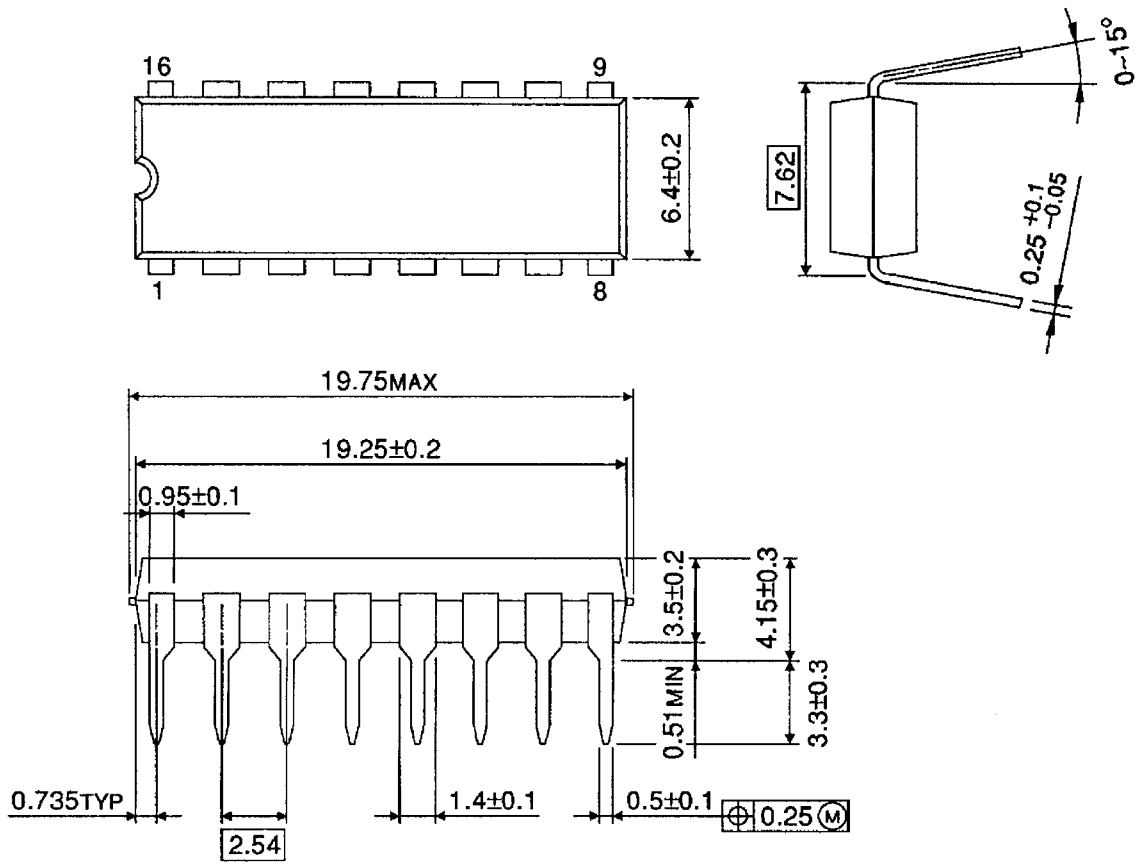
**APPLICATION CIRCUIT 4**  
(High efficiency drive (Bi-Pola))



## PACKAGE DIMENSIONS

DIP16-P-300-2.54A

Unit: mm

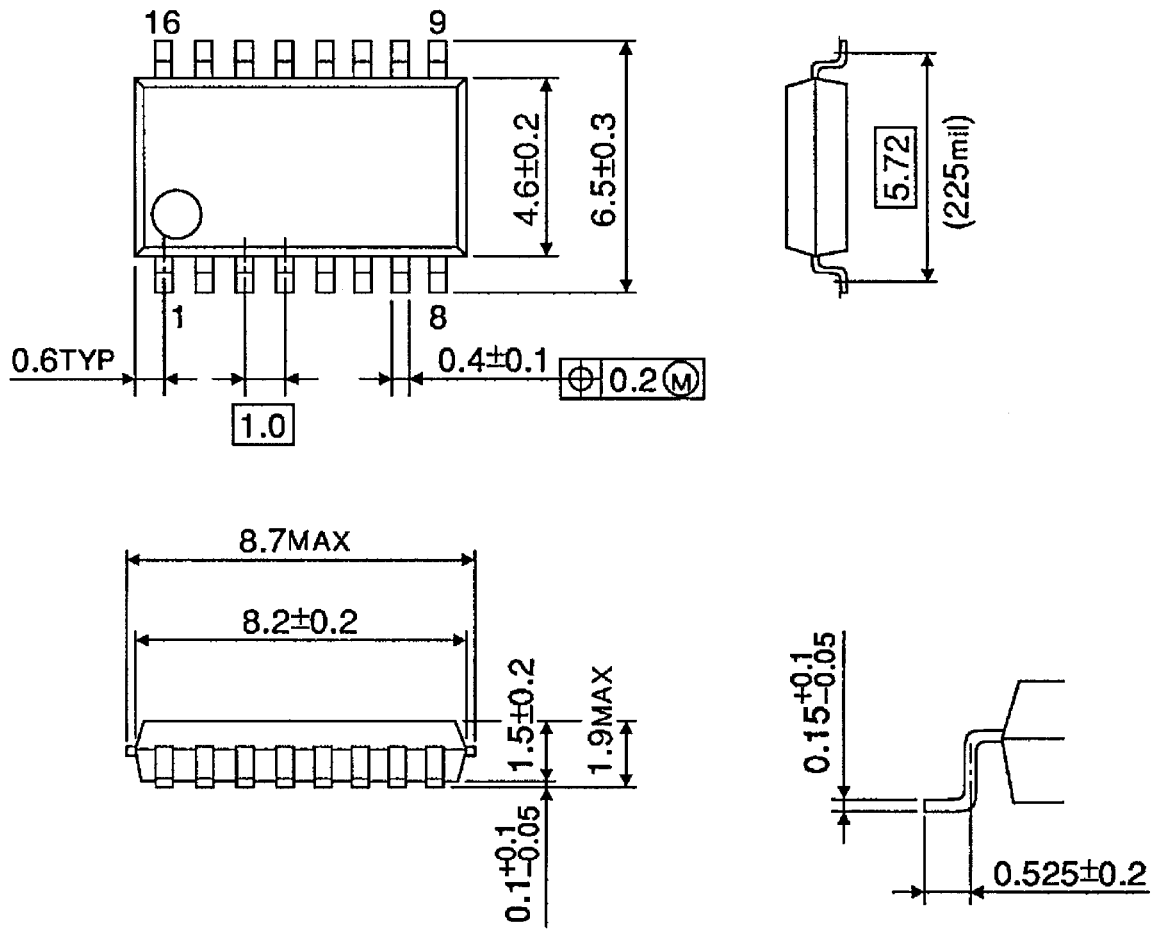


Weight: 1.11 g (Typ.)

**PACKAGE DIMENSIONS**

SSOP16-P-225-1.00A

Unit: mm



Weight: 0.14 g (Typ.)



**RESTRICTIONS ON PRODUCT USE**

000707EBA

- TOSHIBA is continually working to improve the quality and reliability of its products. Nevertheless, semiconductor devices in general can malfunction or fail due to their inherent electrical sensitivity and vulnerability to physical stress. It is the responsibility of the buyer, when utilizing TOSHIBA products, to comply with the standards of safety in making a safe design for the entire system, and to avoid situations in which a malfunction or failure of such TOSHIBA products could cause loss of human life, bodily injury or damage to property.  
In developing your designs, please ensure that TOSHIBA products are used within specified operating ranges as set forth in the most recent TOSHIBA products specifications. Also, please keep in mind the precautions and conditions set forth in the "Handling Guide for Semiconductor Devices," or "TOSHIBA Semiconductor Reliability Handbook" etc..
- The TOSHIBA products listed in this document are intended for usage in general electronics applications (computer, personal equipment, office equipment, measuring equipment, industrial robotics, domestic appliances, etc.). These TOSHIBA products are neither intended nor warranted for usage in equipment that requires extraordinarily high quality and/or reliability or a malfunction or failure of which may cause loss of human life or bodily injury ("Unintended Usage"). Unintended Usage include atomic energy control instruments, airplane or spaceship instruments, transportation instruments, traffic signal instruments, combustion control instruments, medical instruments, all types of safety devices, etc.. Unintended Usage of TOSHIBA products listed in this document shall be made at the customer's own risk.
- The products described in this document are subject to the foreign exchange and foreign trade laws.
- The information contained herein is presented only as a guide for the applications of our products. No responsibility is assumed by TOSHIBA CORPORATION for any infringements of intellectual property or other rights of the third parties which may result from its use. No license is granted by implication or otherwise under any intellectual property or other rights of TOSHIBA CORPORATION or others.
- The information contained herein is subject to change without notice.