

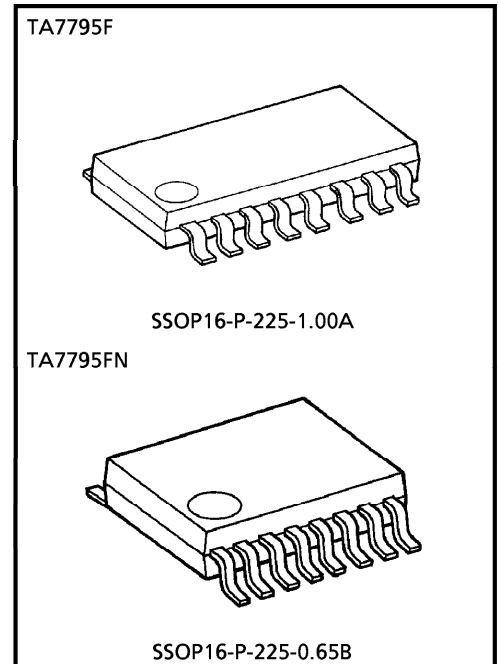
TA7795F, TA7795FN

DUAL PREAMPLIFIERS FOR AUTO-REVERSE SYSTEM (1.5V USE)

The TA7795F, TA7795FN are Dual preamplifiers ICs, which are designed for low voltage operation (1.5V, 3V). They are especially suitable for a stereo headphone cassette player and for that of auto-reverse type.

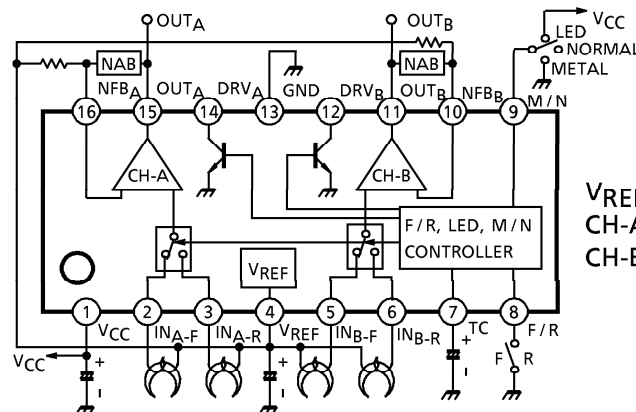
FEATURES

- Switchover between F/R directional mode is possible with only one-make switch.
- Built-in M/N equalizer drivers, switchover between M/N equalizer mode is possible with only one-make switch. Those drivers are applicable to LED driver for F/R display, too ($V_{LED} \geq 2.5V$).
- Low noise (Equivalent input noise).
 $V_{ni} = 1.3 \mu V_{rms}$ (Typ.)
 $(V_{CC} = 1.5V, R_g = 2.2k\Omega, BPF = 20 \sim 20kHz)$
- Low supply current.
 $I_{CC} = 1.6mA$ (Typ.) ($V_{CC} = 1.5V, T_a = 25^\circ C$)
- Operating supply voltage range.
 $V_{CC(opr)} = 0.9 \sim 4.5V$ ($T_a = 25^\circ C$)
 (Note 1) F/R : Direction (FORWARD / REVERSE)
 (Note 2) M/N : Equalizer (METAL / NORMAL)



Weight
 SSOP16-P-225-1.00A : 0.14g (Typ.)
 SSOP16-P-225-0.65B : 0.09g (Typ.)

BLOCK DIAGRAM



VREF : Reference voltage
 CH-A : Channel A preamplifier
 CH-B : Channel B preamplifier

PIN FUNCTION

Terminal voltage : Typical terminal voltage at no signal with test circuit ($V_{CC} = 1.5V$, $T_a = 25^\circ C$)

PIN No.	PIN NAME	CONTENTS	EQUIVALENT	TERMINAL VOLTAGE (V)
1	V_{CC}	—	—	1.5
2	IN_{A-F}	Input for Forward mode Input impedance		1.1
5	IN_{B-F}	$R_{in} = 100k\Omega$ (Typ.)		1.1
3	IN_{A-R}	Input for Reverse mode Input impedance		1.1
6	IN_{B-R}	$R_{in} = 100k\Omega$ (Typ.)		1.1
10	NFB_A	NFB		1.1
16	NFB_B			1.1
4	V_{REF}	Reference voltage		1.1
7	TC	Smoothing Reducing pop noise, at switchover between F/R mode.		0.7
8	F/R	Switch for F/E mode Off : Forward mode On : Reverse mode		0.7
9	M/N	Switch for M/N LED To V_{CC} : LED mode Open : Normal mode To GND : Metal mode		—
11	OUT_B	Output		0.75
15	OUT_A			
12	DRV_B	CH-B·Metal Driver (LED driver for Reverse mode)		—
14	DRV_A	CH-A·Metal Driver (LED driver for Forward mode)		
13	GND	—	—	0

APPLICATION NOTE

1. Function of built-in driver (Equalizer SW / LED driver)

The built-in driver is set to the mode shown in the table below by the voltage applied to Pin⑨ and ⑧.

FUNCTION		PIN⑨	PIN⑧	Q1 (PIN⑭)	Q2 (PIN⑫)
Equalizer Switchover	Normal	OPEN	—	OFF	OFF
	Metal	GND	—	ON	ON
LED Driver	FWD	V _{CC}	OPEN	ON	OFF
	REV		GND	OFF	ON

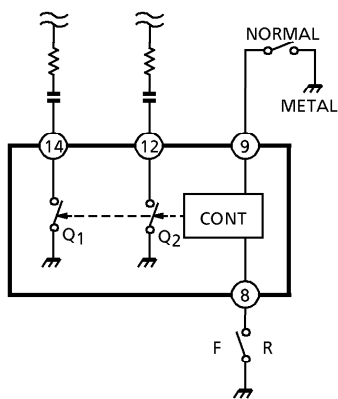


Fig.1 Equalizer switchover function

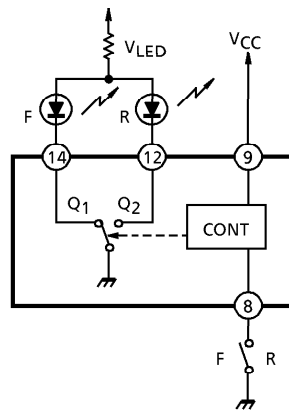


Fig.2 LED driver function

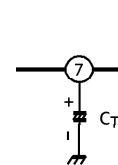


Fig.3 Smoothing function

2. Smoothing function

The Pin⑦ is the smoothing terminal for reducing the pop noise produced at F/R switchover by using the external capacitor CT. (Fig.3)

3. NFB terminal

The resistance of 18kΩ is advisable to be connected between NFB terminal (Pin⑯ and ⑩) and V_{REF} for using this IC. That is because NFB terminal is designed to have the off-set voltage ($\Delta V = 36\text{mV}$) against each terminal (Pin ②, ③, ⑤ and ⑥). Therefore, the DC potential of the output terminals (Pin⑮ and ⑪) can be set at about $V_{CC}/2$ with the current produced by this off-set potential. (Fig.4)

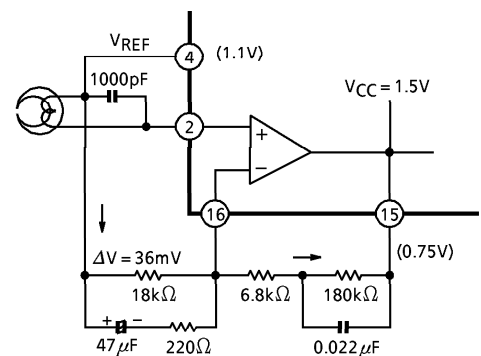


Fig.4 NFB terminal

MAXIMUM RATINGS (Ta = 25°C)

CHARACTERISTIC	SYMBOL	RATING	UNIT
Supply Voltage	V _{CC}	5	V
LED Supply Voltage	V _L	6	V
LED Driver Current	I _L	5	mA
Power Dissipation	TA7795F	P _D (Note)	350
	TA7795FN		400
Operating Temperature	T _{opr}	- 25~75	°C
Storage Temperature	T _{stg}	- 55~150	°C

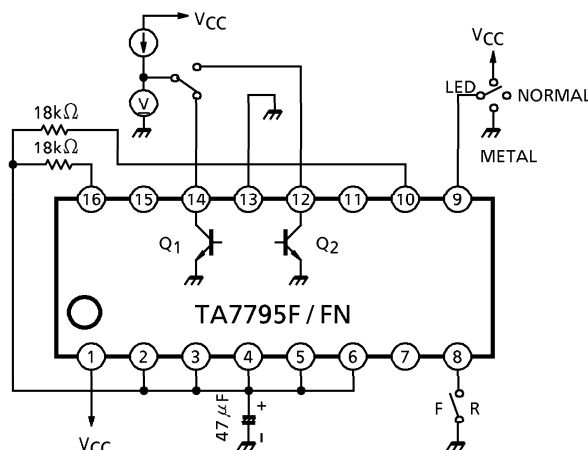
(Note) Derated above Ta = 25°C in the proportion of 2.8mW/°C for TA7795F, and of 3.2mW/°C for TA7795FN.

ELECTRICAL CHARACTERISTICS

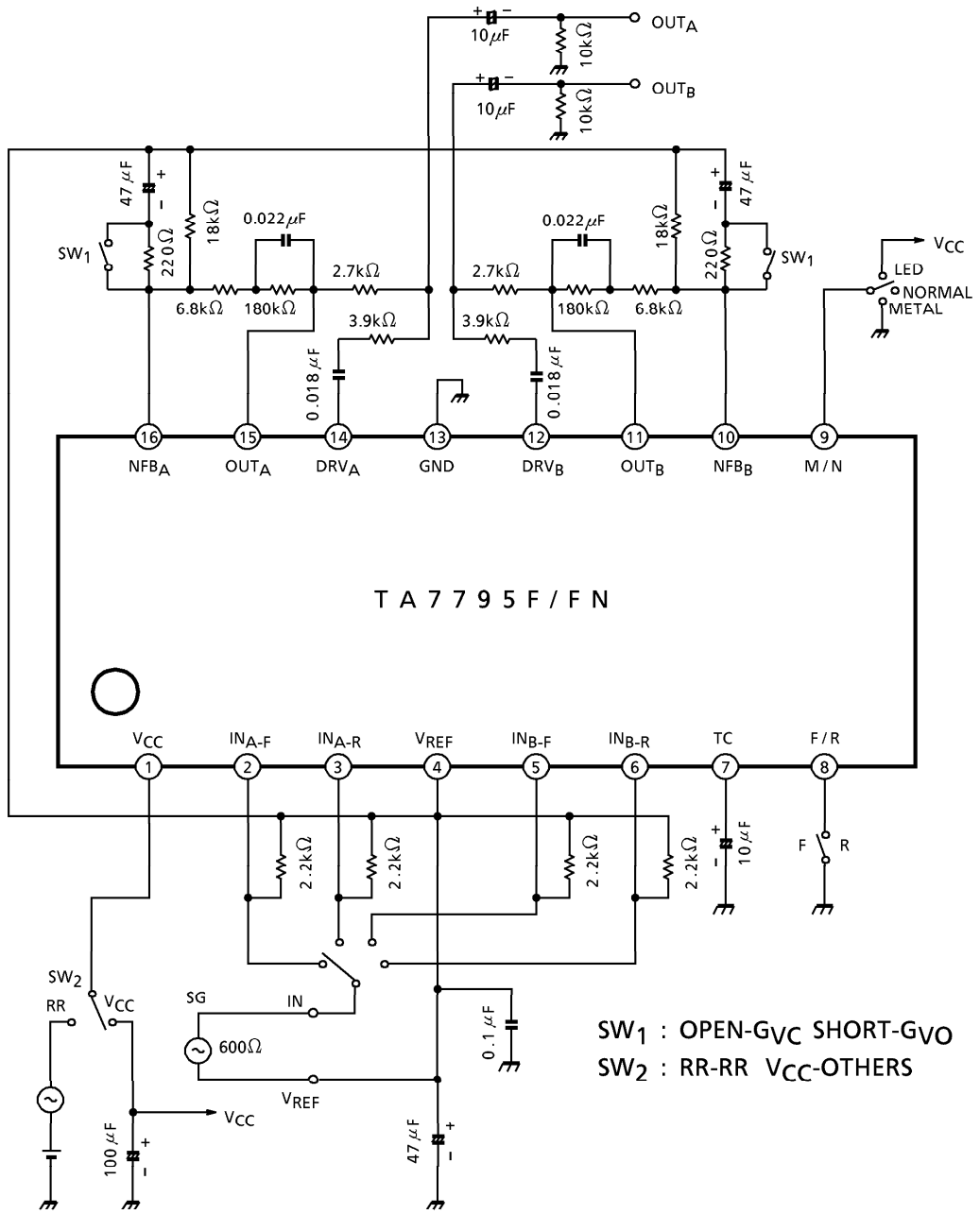
Unless otherwise specified, (Ta = 25°C, V_{CC} = 1.5V, R_g = 2.2kΩ, f = 1kHz, Normal EQ)

CHARACTERISTIC	SYM-BOL	TEST CIR-CUIT	TEST CONDITION	MIN.	TYP.	MAX.	UNIT
Supply Current	I _{CC}	1	V _{in} = 0	—	1.6	2.5	mA
Reference Voltage	V _{REF}	2		1.0	1.1	1.2	V
Open Loop Voltage Gain	G _{VO}	2	V _{in} = 32μV _{rms}	60	66	—	dB
Closed Loop Voltage Gain	G _{VC}	2	V _{in} = 320μV _{rms}	—	31	—	dB
Maximum Output Voltage	V _{om}	2	THD = 0.5%	270	350	—	mV _{rms}
Total Harmonic Distortion	THD	2	V _O = 100mV _{rms}	—	0.03	0.1	%
Equivalent Input Noise Voltage	V _{ni}	2	R _g = 2.2kΩ, BPF = 20Hz~20kHz NAB (G _V = 31dB, f = 1kHz)	—	1.3	3.0	μV _{rms}
Ripple Rejection Ratio	RR	2	V _r = 32mV _{rms} , f _r = 1kHz	—	48	—	dB
Cross Talk (CH-A / CH-B)	CT1	2	V _O = 100mV _{rms}	—	67	—	dB
Cross Talk (F / R)	CT2	2	V _O = 100mV _{rms}	—	70	—	dB
Saturation Voltage Of LED Driver	V _{on}	1	I _L = 3mA, LED Mode	—	80	—	mV
On-Resistance Of Metal Driver	R _{on}	1	I _L = 100μA, Metal Mode	—	100	—	Ω

TEST CIRCUIT 1

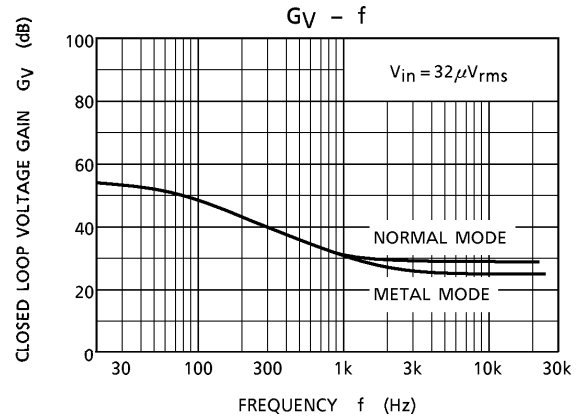
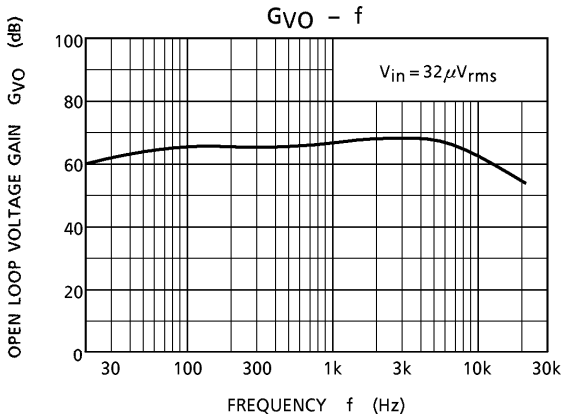
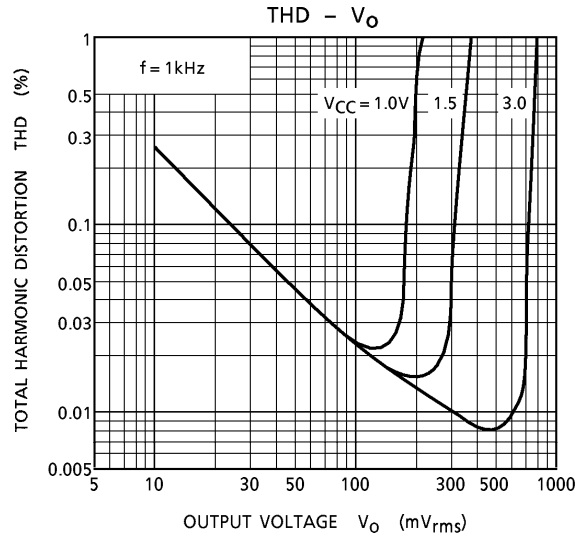
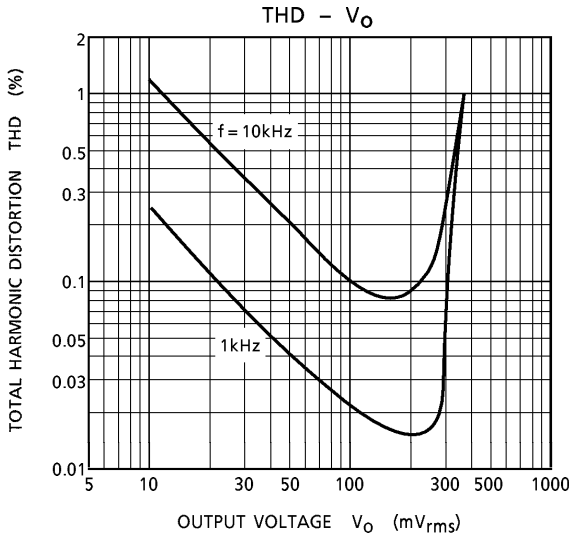
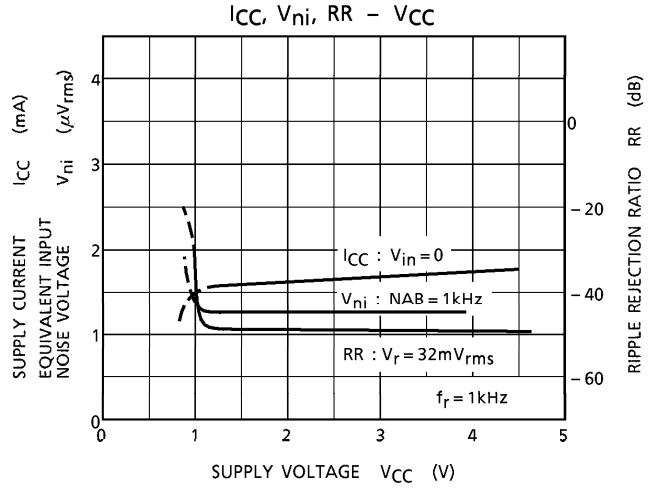
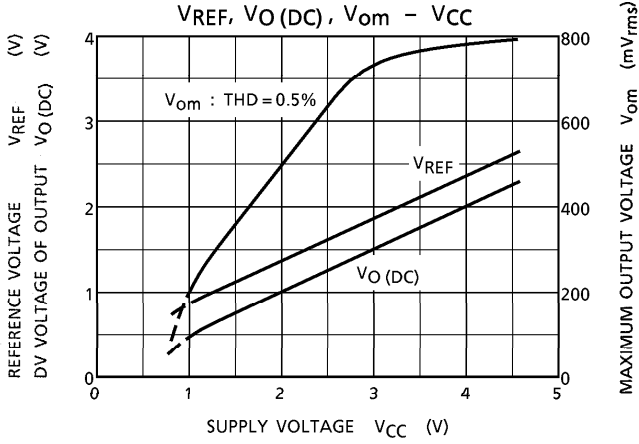


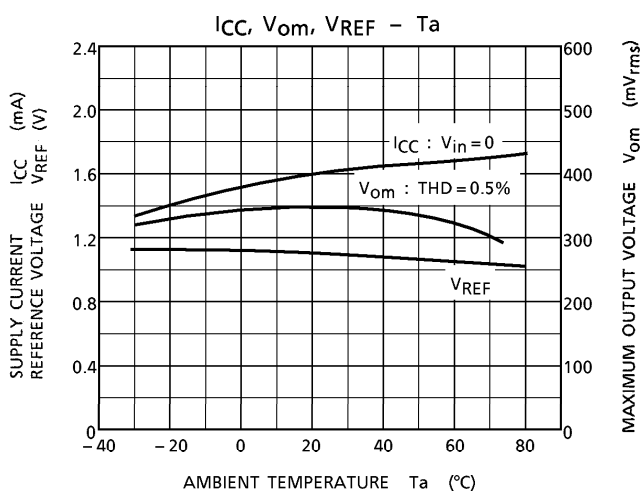
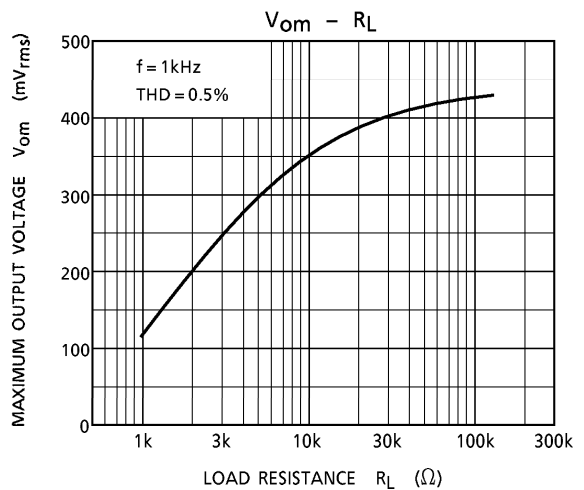
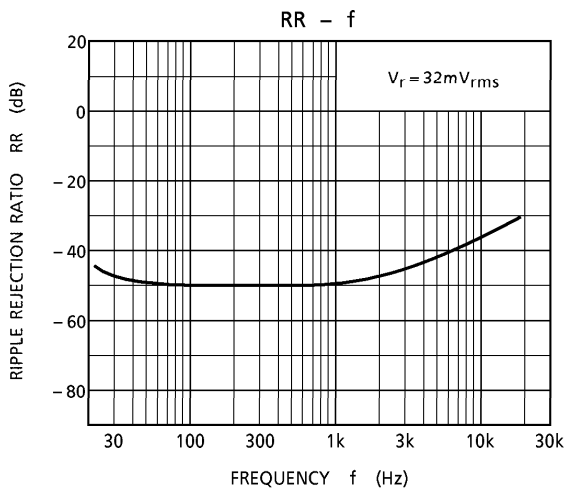
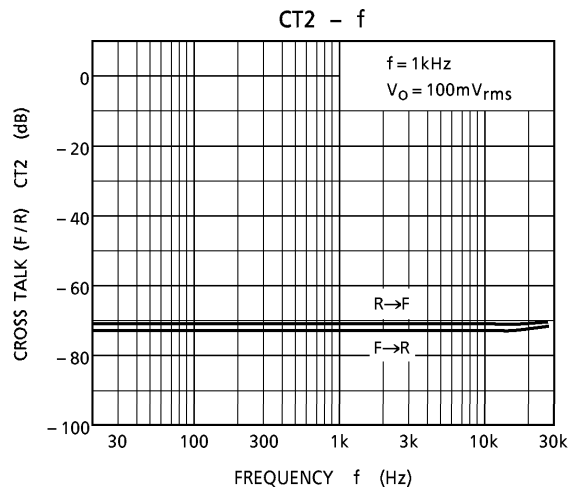
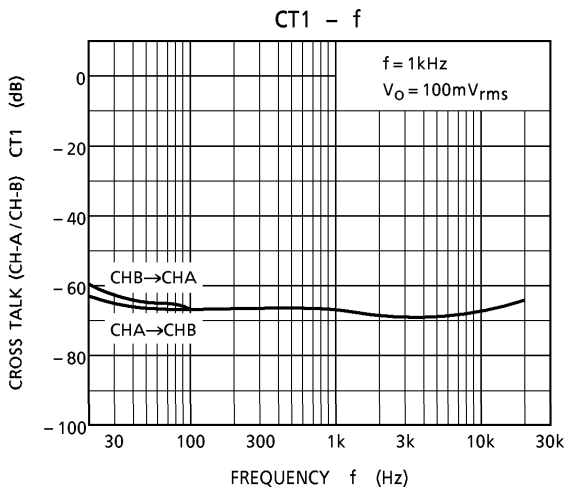
TEST CIRCUIT 2



CHARACTERISTICS CURVES

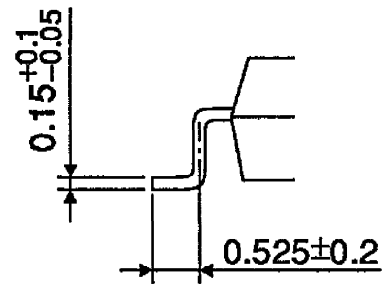
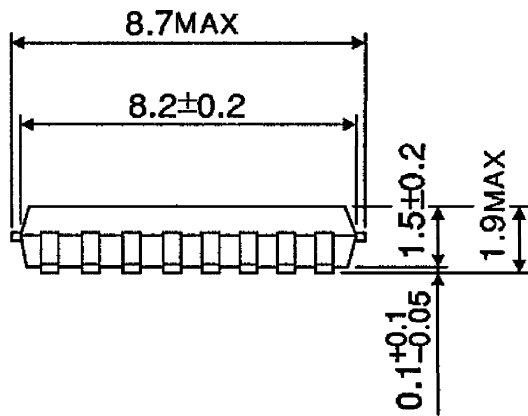
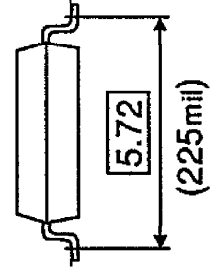
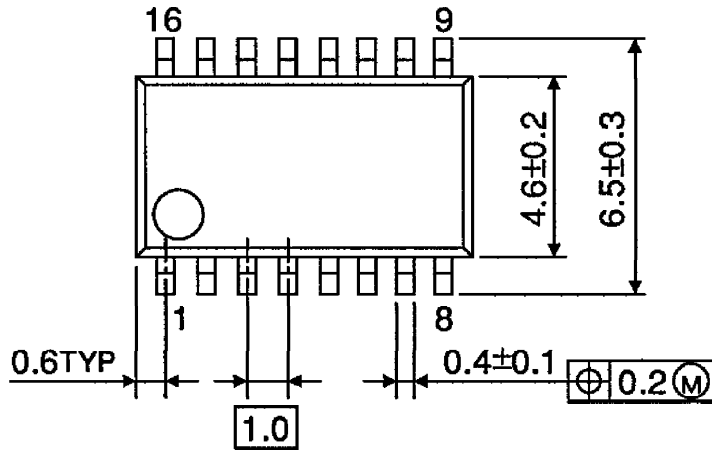
Unless otherwise specified, $V_{CC} = 1.5V$, $T_a = 25^\circ C$, $f = 1kHz$, Normal Mode





PACKAGE DIMENSIONS
SSOP16-P-225-1.00A

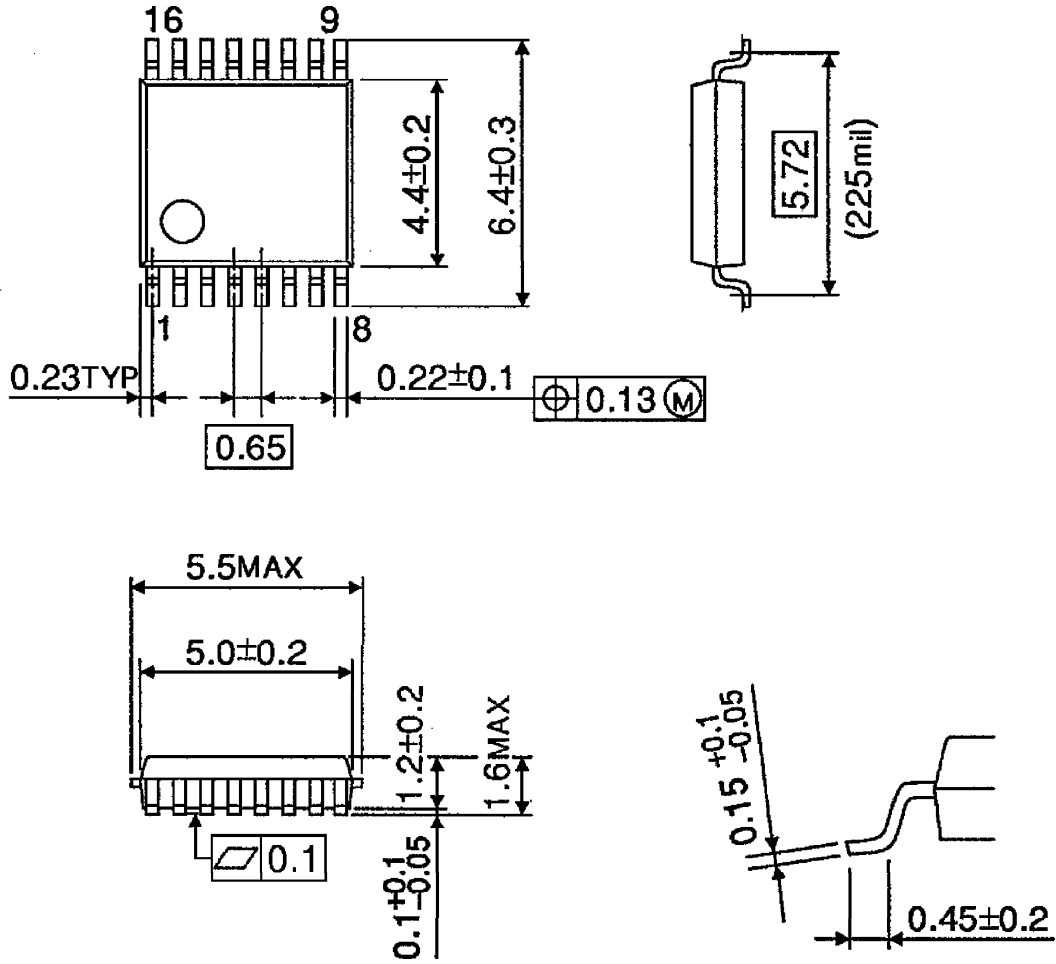
Unit : mm



Weight : 0.14g (Typ.)

PACKAGE DIMENSIONS
SSOP16-P-225-0.65B

Unit : mm



Weight : 0.09g (Typ.)

RESTRICTIONS ON PRODUCT USE

000707EBA

- TOSHIBA is continually working to improve the quality and reliability of its products. Nevertheless, semiconductor devices in general can malfunction or fail due to their inherent electrical sensitivity and vulnerability to physical stress. It is the responsibility of the buyer, when utilizing TOSHIBA products, to comply with the standards of safety in making a safe design for the entire system, and to avoid situations in which a malfunction or failure of such TOSHIBA products could cause loss of human life, bodily injury or damage to property. In developing your designs, please ensure that TOSHIBA products are used within specified operating ranges as set forth in the most recent TOSHIBA products specifications. Also, please keep in mind the precautions and conditions set forth in the "Handling Guide for Semiconductor Devices," or "TOSHIBA Semiconductor Reliability Handbook" etc..
- The TOSHIBA products listed in this document are intended for usage in general electronics applications (computer, personal equipment, office equipment, measuring equipment, industrial robotics, domestic appliances, etc.). These TOSHIBA products are neither intended nor warranted for usage in equipment that requires extraordinarily high quality and/or reliability or a malfunction or failure of which may cause loss of human life or bodily injury ("Unintended Usage"). Unintended Usage include atomic energy control instruments, airplane or spaceship instruments, transportation instruments, traffic signal instruments, combustion control instruments, medical instruments, all types of safety devices, etc.. Unintended Usage of TOSHIBA products listed in this document shall be made at the customer's own risk.
- The products described in this document are subject to the foreign exchange and foreign trade laws.
- The information contained herein is presented only as a guide for the applications of our products. No responsibility is assumed by TOSHIBA CORPORATION for any infringements of intellectual property or other rights of the third parties which may result from its use. No license is granted by implication or otherwise under any intellectual property or other rights of TOSHIBA CORPORATION or others.
- The information contained herein is subject to change without notice.