

TOSHIBA BIPOLAR LINEAR INTEGRATED CIRCUIT SILICON MONOLITHIC

TA8007S,TA8007F

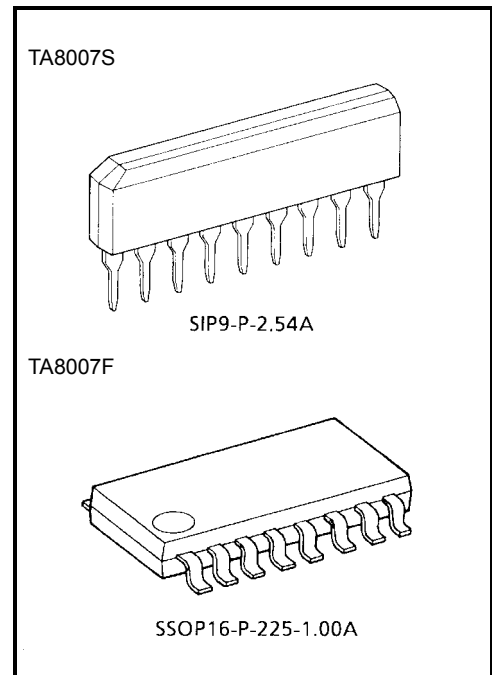
5 V Voltage Regulator With Watchdog Timer

The TA8007S, TA8007F is an IC specially designed for microcomputer systems. It incorporates a highly accurate constant-voltage power supply ($5\pm 0.25V$) and various system reset functions. For system reset, it monitors the output voltage of $V_{REG}\times 92\%$ and has a watchdog timer which can self-diagnose the microcomputer system so that program runaway can be prevented. It also has other monitor functions for checking the operation of the microcomputer system.

Since its standby current is as small as 1.2mA (max.), it can be connected directly to an automotive battery. An output voltage of $5\pm 0.15V$ is obtained for theTA8007F.

FEATURES

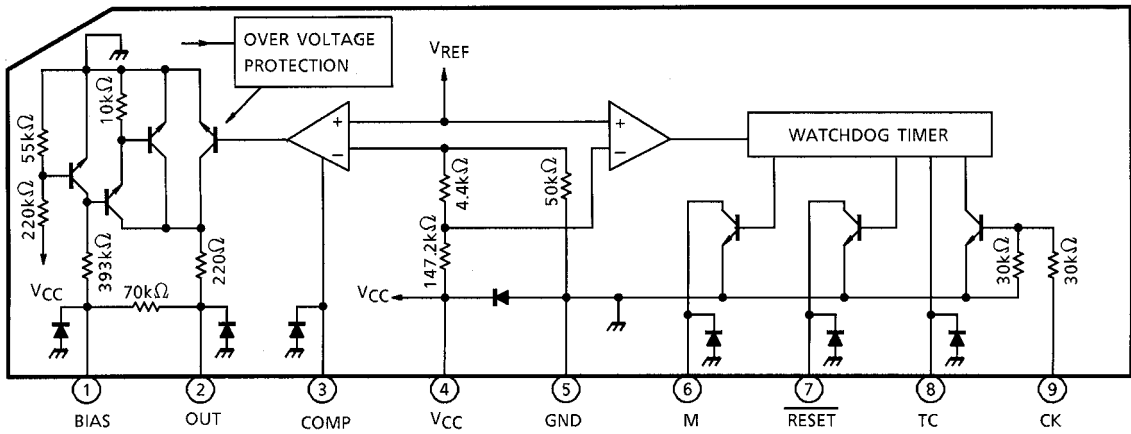
- Accurate output : $5 V\pm 0.25 V$ (TA8007S)
: $5 V\pm 0.15 V$ (TA8007F)
- Low standby current : 1.2 mA (max)
- Power-on reset timer and watchdog timer incorporated, as well as reset and monitor outputs
- Wide operating voltage range:35 V (max)
- Wide operating temperature range :from -40 to 105°C
- Small SIP9-PIN (TA8007S)
SSOP16-PIN (TA8007F)



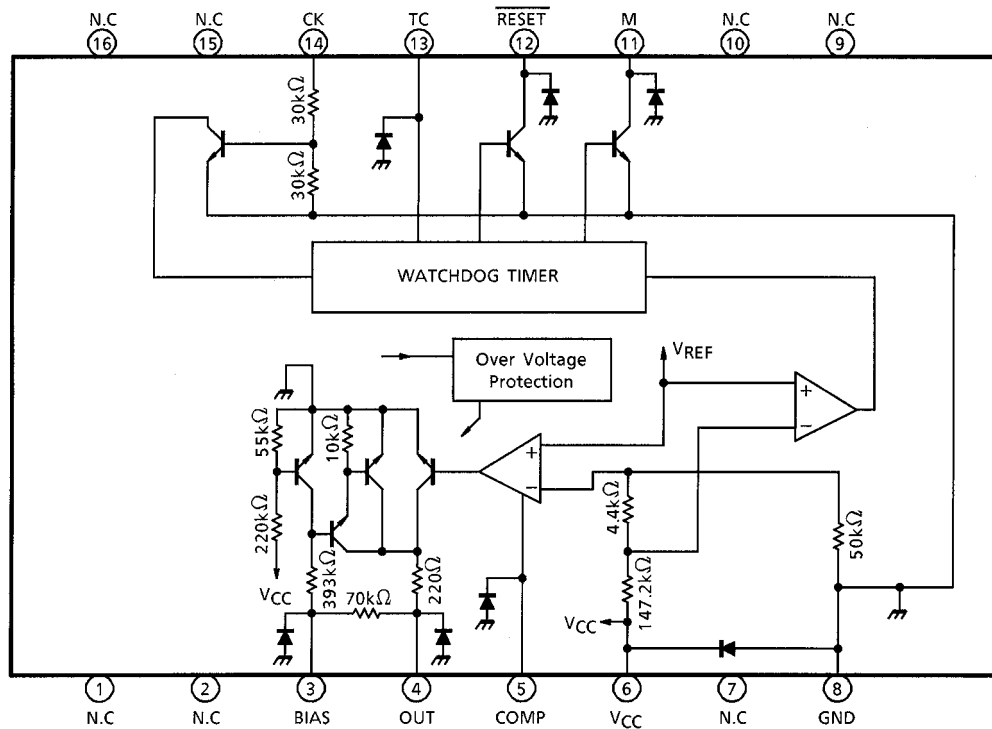
Weight:
 SIP9-P-2.54A : 0.92 g (Typ.)
 SSOP16-P-225-1.00A : 0.14 g (Typ.)

BLOCK DIAGRAM AND PIN LAYOUT

TA8007S



TA8007F



Note: The TA8007S and TA8007F are the same chip, only the packages are different.

PIN DESCRIPTION

PIN No.		SYMBOL	DESCRIPTION
TA8007S	TA8007F		
1	3	BIAS	Power supply pin for the start-up circuit which activates the overvoltage detection circuit and the 5V power supply.
2	4	OUT	Connected to the base of an external PNP transistor so that the output voltage is stabilized. Power supply design suitable for particular load capacities is thus possible. Since the recommended maximum I_{OUT} is 5mA, an output current of 300mA is assured if the external transistor has an h_{FE} of 60 or more.
3	5	COMP	Phase compensation pin for output stabilization.
4	6	V_{CC}	Power supply pin for the power supply section and reset timers. The output voltage VREG can also be detected at this pin.
5	8	GND	Grounded
6	11	M	PN transistor open-collector output This signal is low while pulses <u>come</u> from $\overline{\text{RESET}}$ pin (output) ; it becomes high when pulses no longer come from $\overline{\text{RESET}}$ pin. This function can be used for monitoring the operation of the microcomputer system.
7	12	$\overline{\text{RESET}}$	NPN transistor open-collector output. (1) The signal goes low when the output voltage drops below 92%. (2) The pin supplies a reset signal determined by the CR combination connected to the TC pin. (3) The pin supplies reset pulses intermittently if no clock is given to the CK pin.
8	13	TC	Time setting pin for the reset and watchdog timers. The resistor R_T leads to V_{CC} , and the capacitor C_T leads to GND.
9	14	CK	Input pin for watchdog timer. The pin is pulled up to V_{CC} if the IC is used only as a power-on reset timer.
—	1, 2, 7, 9, 10, 15, 16	NC	Not connected. (Electrically, this pin is completely open.)

Functional Description

The TA8007S/F incorporates a constant-voltage 5V power supply function to feed stable power to the CPU and the system reset and CPU monitor functions to ensure stable operation of the CPU, etc. These functions are explained below.

(1) Constant-voltage 5V power supply function

This constant-voltage function has the reference voltage V_{ref} in the IC that is insusceptible to temperature changes and input voltage fluctuations. The power supply circuit is designed in such a way that this voltage is stepped up to 5V by using an OP amp and a voltage-dividing resistor. These OP amp and dividing resistor and an output transistor connected to the OP amp output together configure a closed loop. If you are using only the reset timer and not this power supply function, connect the BIAS, OUT, and COMP pins to GND.

(2) System reset function (See Timing Chart)

- Voltage monitoring function

When powered on, the power-on reset timer starts counting the moment the voltage V_{CC} applied to the CPU exceeds 4.6V. When powered off, this voltage monitoring function outputs a reset signal immediately when V_{CC} drops below 4.6V. A reset signal also is output immediately when V_{CC} drops for some reason during normal operation. Then, when V_{CC} is restored to the normal voltage and exceeds 4.6V, the power-on reset timer starts counting.

- Power-on reset timer function

To allow the 5V constant voltage to stabilize at power-on, as well as provide a sufficient time for the clock oscillation in the CPU to stabilize, the device remains reset for a predetermined time before being released from the reset state. The duration of this time can be set as desired by choosing appropriate values for the external resistor and capacitor connected to the TC pin.

The system starts charging the capacitor when the V_{CC} voltage exceeds 4.6V. When this charge voltage exceeds 4V, the capacitor is discharged by the IC's internal transistor. When the capacitor is discharged down to 2V, the reset signal is inverted to deactivate the reset.

- Watchdog timer function

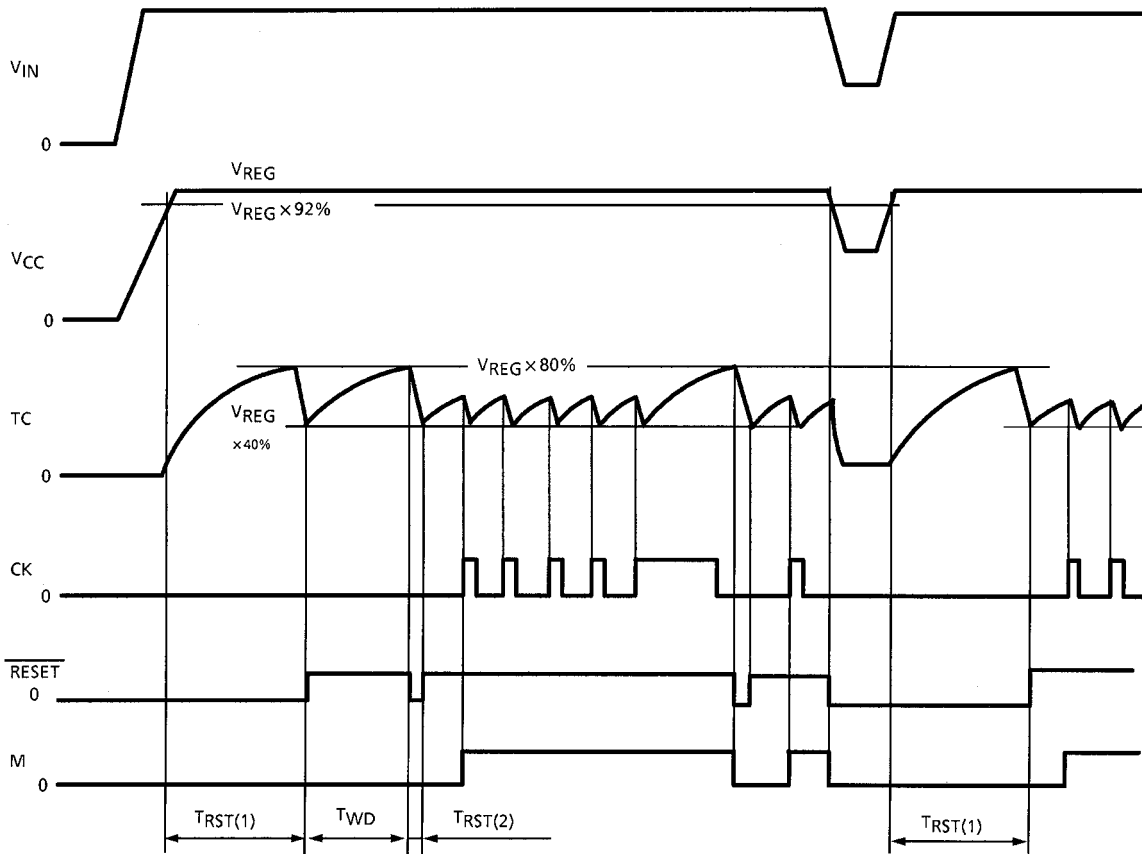
Program your system to output a clock each time one program routine is finished in the CPU system software, and input this clock to the CK pin of the IC. The IC's TC pin is repeatedly charged and discharged between 2V and 4V. However, when a clock is input, it switches over and starts discharging in the middle of charging and then starts charging from 2V again. Since the clock is generated at predetermined intervals when the CPU system is operating normally, the TC pin switches over and starts discharging before the charge voltage reaches 4V. However, if no clock is input while being charged from 2V to 4V, the clock is assumed to have stopped, i.e., the CPU system has gone wild, so that a reset signal is output to reset the CPU system.

The IC's CK pin is connected to the CPU system with a differential circuit. This is to ensure that when an erratic condition occurs in the CPU system, a low signal is always input to the CK pin regardless of whether the clock output from the CPU has stopped in the high or low state. When the CK pin is fixed high, no reset signal is output, in which case only the power-on reset timer is useful.

(3) CPU monitor function

The monitor output (M pin) uses the clock from the CK pin that is fed into the IC and the reset signal that is output from the IC to provide an easy way to verify the operating status of your application system.

The M output is generated by a flip-flop that receives as its inputs the said reset and clock signals. During normal operation, the output is held high by the clock fed to the CK pin. When the clock supply is stopped by an error condition and a reset signal is output from the IC, the flip-flop is inverted by the reset signal, causing the M output to go low. When the error condition is restored and the clock supply to CK restarts, the flip-flop is inverted by that signal again, causing the M output to go high.



Note: $T_{RST(1)}$ 、 $T_{RST(2)}$ 、 T_{WD} : See Electrical Characteristics.

MAXIMUM RATINGS (Ta = 25°C)

CHARACTERISTIC	SYMBOL	PIN	RATING	UNIT
Input Voltage	V_{IN1}	BIAS	60 (1s)	V
	V_{IN2}	CK	-5~ V_{CC}	
Output Current	I_{OUT1}	OUT	10	mA
	I_{OUT2}	\overline{RESET} , M	2	
Output Voltage	V_{OUT1}	OUT	60 (1s)	V
	V_{OUT2}	\overline{RESET}	16	
Power Dissipation	P_D	—	500/600	mW
Operating Temperature	T_{opr}	—	-40~105	°C
Storage Temperature	T_{stg}	—	-55~150	°C
Lead Temperature time	T_{sol}	—	260 (10s)	°C

Note: P_D : TA8007S/TA8007F

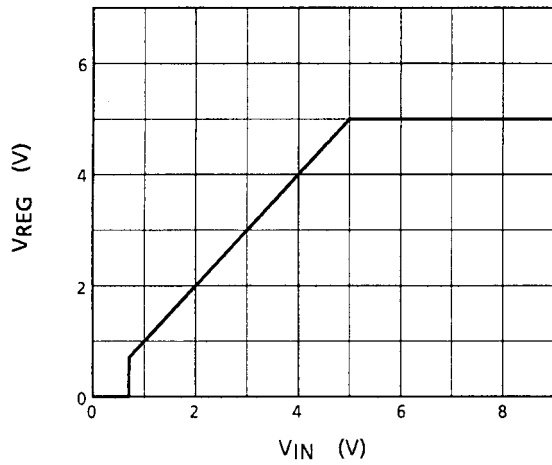
ELECTRICAL CHARACTERISTICS (Unless otherwise specified, $V_{IN}=6\sim 18\text{ V}$, $I_{LOAD}=10\text{ mA}$, $T_a=-40\sim 105^\circ\text{C}$)

CHARACTERISTIC	SYMBOL	PIN	TEST CIRCUIT	TEST CONDITION	MIN	TYP.	MAX	UNIT
Output Voltage	V_{REG}	V_{CC}	—	TA8007S	4.75	5.0	5.25	V
				TA8007F	4.85	5.0	5.15	
Line Regulation	V_{LINE}	V_{CC}	—	$V_{IN}=5.5\sim 35\text{ V}$	—	0.1	0.5	%
Load Regulation	V_{LOAD}	V_{CC}	—	$I_{LOAD}=1\sim 50\text{ mA}$	—	0.1	0.5	%
Temperature Coefficient		V_{CC}	—		—	0.01	—	%/°C
Output Voltage	V_{OL}	\overline{RESET} , M	—	$I_{OL}=1\text{ mA}$	—	—	0.5	V
Output Leakage Current	I_{LEAK}	\overline{RESET} , M	—	$V_{OUT}=10\text{ V}$	—	—	5	μA
Input Current	I_{IN}	TC	—	$V_{IN}=0\sim 3.5\text{ V}$	-3	—	3	μA
Threshold Voltage	V_{IH}	TC	—		—	$V_{REG}\times 80\%$	—	V
	V_{IL}				—	$V_{REG}\times 40\%$	—	
Input Current	I_{IN}	CK	—	$V_{IN}=5\text{ V}$	—	0.14	0.3	mA
Input Voltage	V_{IH}	CK	—		2	—	—	V
	V_{IL}				—	—	0.5	
Reset Detect Voltage		V_{CC}	—		$V_{REG}\times 89\%$	$V_{REG}\times 92\%$	$V_{REG}\times 95\%$	V
Standby Current	I_{ST}	V_{CC}	—	$V_{IN}=14\text{ V}$	—	0.6	1.2	mA
Overvoltage Detection	V_{SD}	BIAS	—		—	40	—	V
Watchdog Timer	T_{WD}	\overline{RESET}	—		$0.9\times C_T R_T$	$1.1\times C_T R_T$	$1.3\times C_T R_T$	ms
Reset Timer (1)	$T_{RST(1)}$	\overline{RESET}	—		$1.3\times C_T R_T$	$1.6\times C_T R_T$	$1.9\times C_T R_T$	
Reset Timer (2)	$T_{RST(2)}$	\overline{RESET}	—		$0.3\times C_T$	$0.7\times C_T$	$1.5\times C_T$	
Clock Pulse Width	T_W	CK	—		3	—	—	μs

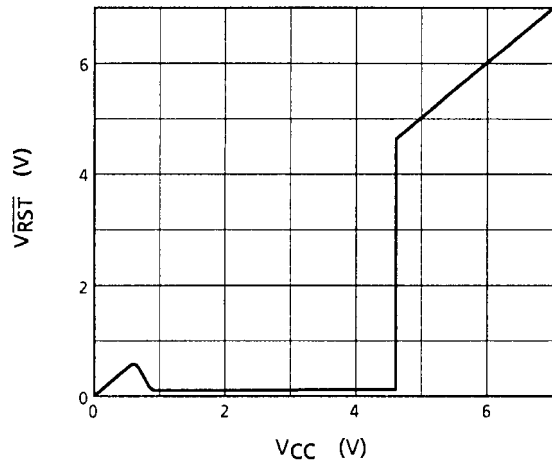
Note: The unit for C_T is μF, the unit for R_T is KΩ

TYPICAL CHARACTERISTICS

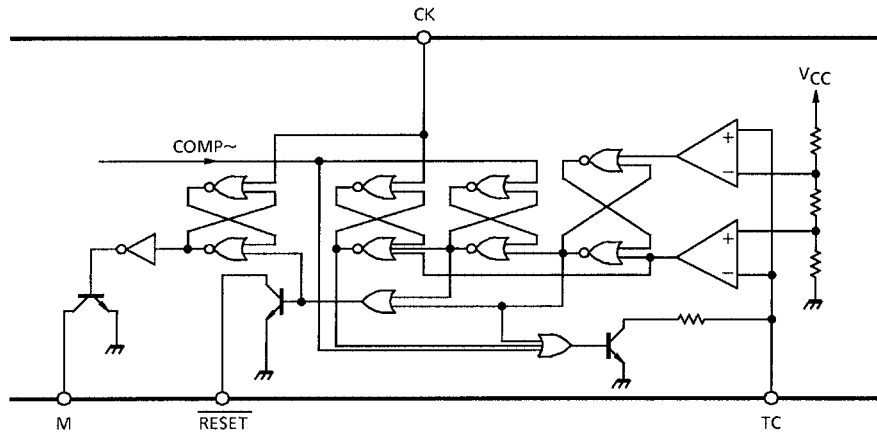
INPUT - OUTPUT VOLTAGE CHARACTERISTIC
(I_{LOAD} = 10mA)



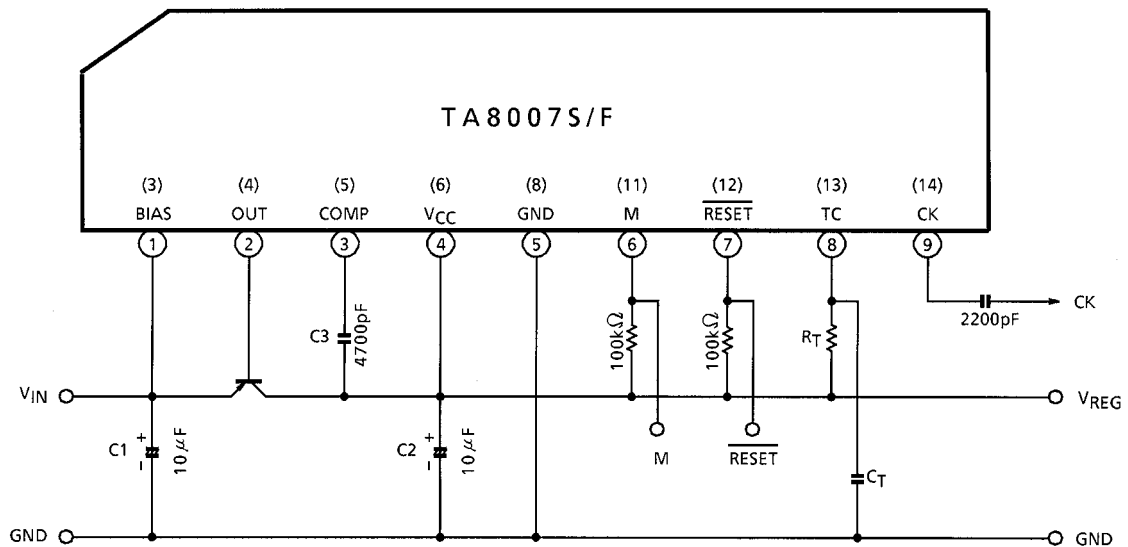
RESET OUTPUT CHARACTERISTIC



RESET TIMER EQUIVALENT CIRCUIT



EXAMPLE OF APPLICATION CIRCUIT (Number in ○ show pin number of the TA8007S, those in () show pin number of the TA8007F.)



***: Cautions for Wiring**

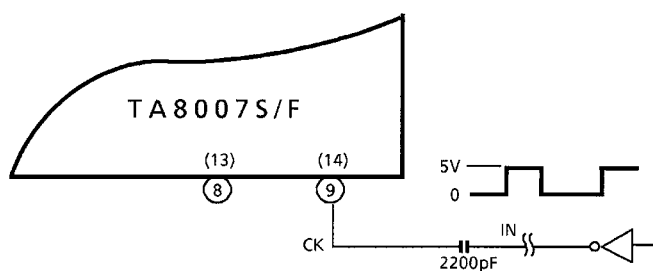
1. C₁ and C₂ are for absorbing disturbance, noise, etc. Connect them as close to the IC as possible.
2. C₃ is for phase compensation. Also, connect C₃ close to the IC.

RECOMMENDED CONDITIONS

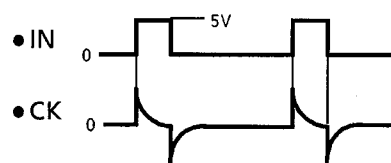
PART NAME	MIN	MAX	UNIT
C _T	0.01	100	μF
R _T	5	100	kΩ

APPLICATION CIRCUIT FOR CK INPUT

Capacitor Coupling



Timing Chart

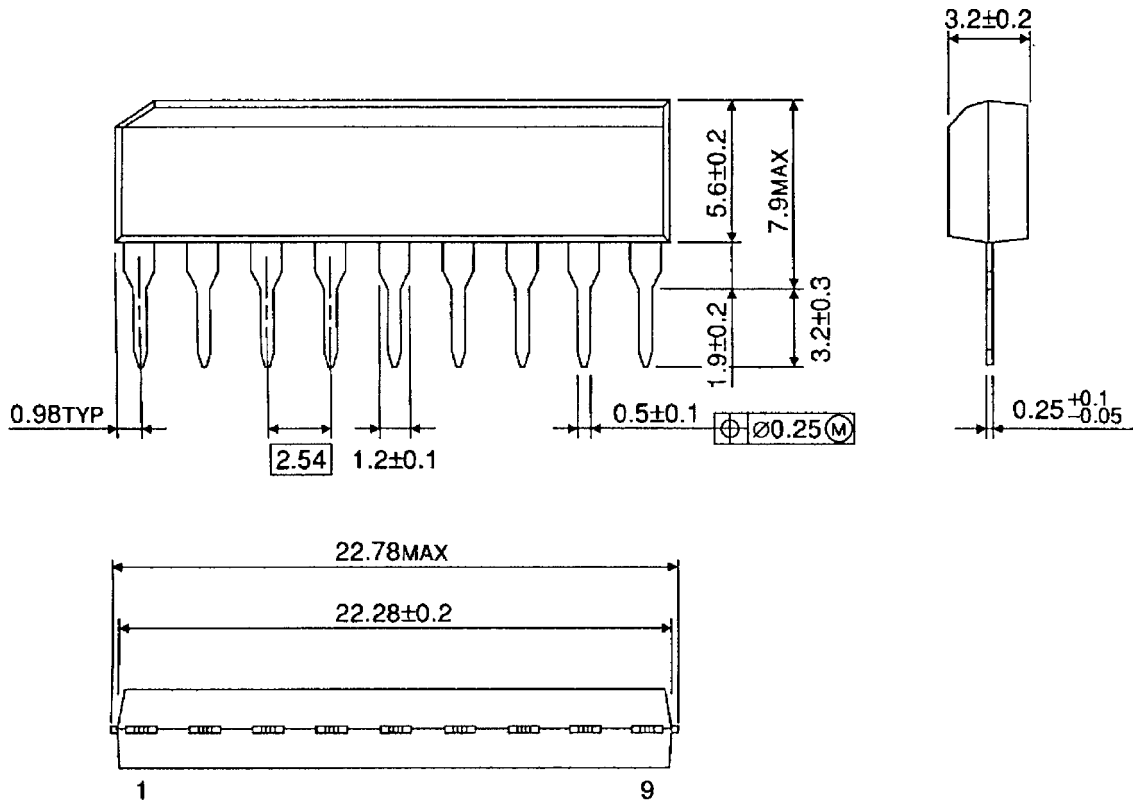


Even when the input level (IN) is fixed either high or low by capacitor decoupling, a reset pulse can be generated intermittently from the RESET output.

PACKAGE DIMENSIONS

SIP9-P-2.54A

Unit : mm

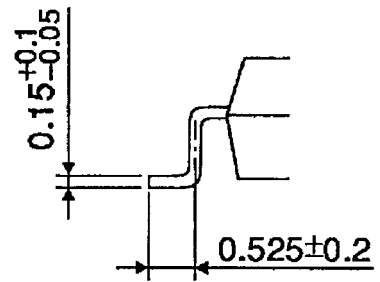
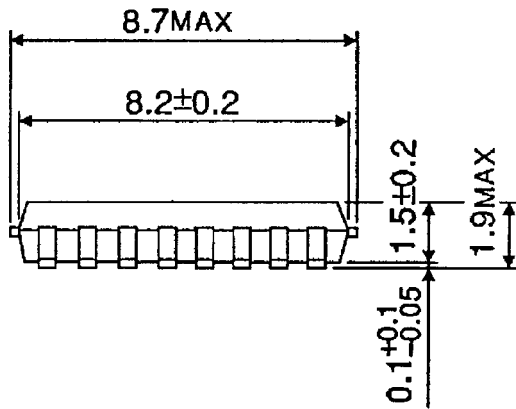
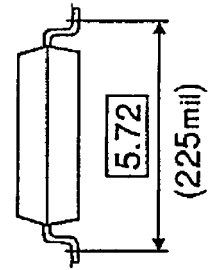
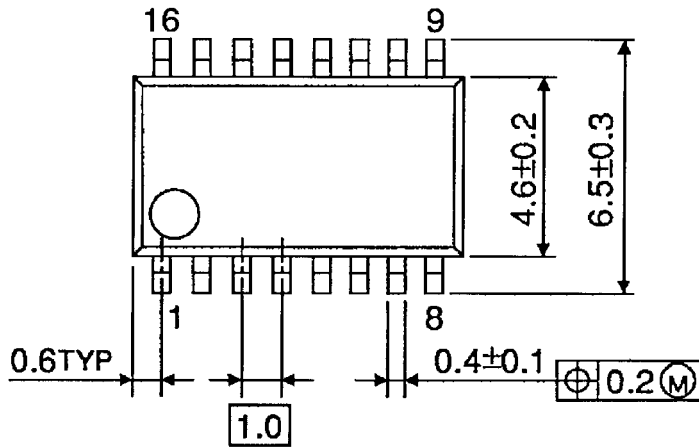


Weight: 0.92g (Typ.)

PACKAGE DIMENSIONS

SSOP16-P-225-1.00A

Unit : mm



Weight: 0.14 g (Typ.)

RESTRICTIONS ON PRODUCT USE

000707EAA_S

- TOSHIBA is continually working to improve the quality and reliability of its products. Nevertheless, semiconductor devices in general can malfunction or fail due to their inherent electrical sensitivity and vulnerability to physical stress. It is the responsibility of the buyer, when utilizing TOSHIBA products, to comply with the standards of safety in making a safe design for the entire system, and to avoid situations in which a malfunction or failure of such TOSHIBA products could cause loss of human life, bodily injury or damage to property.
In developing your designs, please ensure that TOSHIBA products are used within specified operating ranges as set forth in the most recent TOSHIBA products specifications. Also, please keep in mind the precautions and conditions set forth in the "Handling Guide for Semiconductor Devices," or "TOSHIBA Semiconductor Reliability Handbook" etc..
- The information contained herein is presented only as a guide for the applications of our products. No responsibility is assumed by TOSHIBA CORPORATION for any infringements of intellectual property or other rights of the third parties which may result from its use. No license is granted by implication or otherwise under any intellectual property or other rights of TOSHIBA CORPORATION or others.
- The information contained herein is subject to change without notice.