

TOSHIBA Bipolar Linear IC Silicon Monolithic

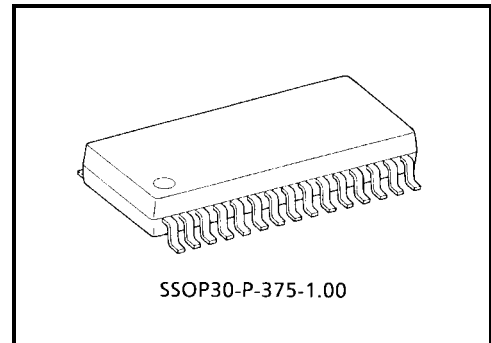
TA84005F

Three-Phase Wave Motor Driver IC

The TA84005F is a three-phase wave motor driver IC. Used with a three-phase sensorless controller (TB6548F), the TA84005F can provide PWM sensorless drive for three-phase brushless motors.

Features

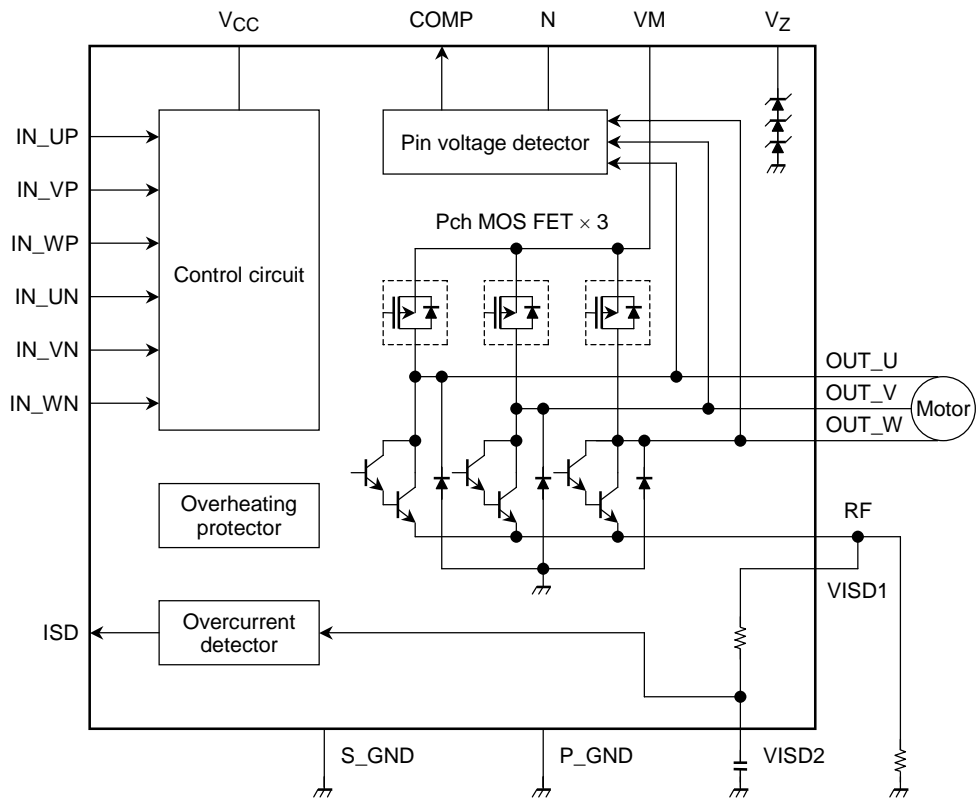
- Built-in voltage detector
- Overcurrent detector incorporated
- Overheating protector incorporated
- Multichip (MCH) structure
 - Uses Pch MOS for the upper output power transistor
- Rated at 25 V/1.0 A
- Package: SSOP30-P-375-1.00



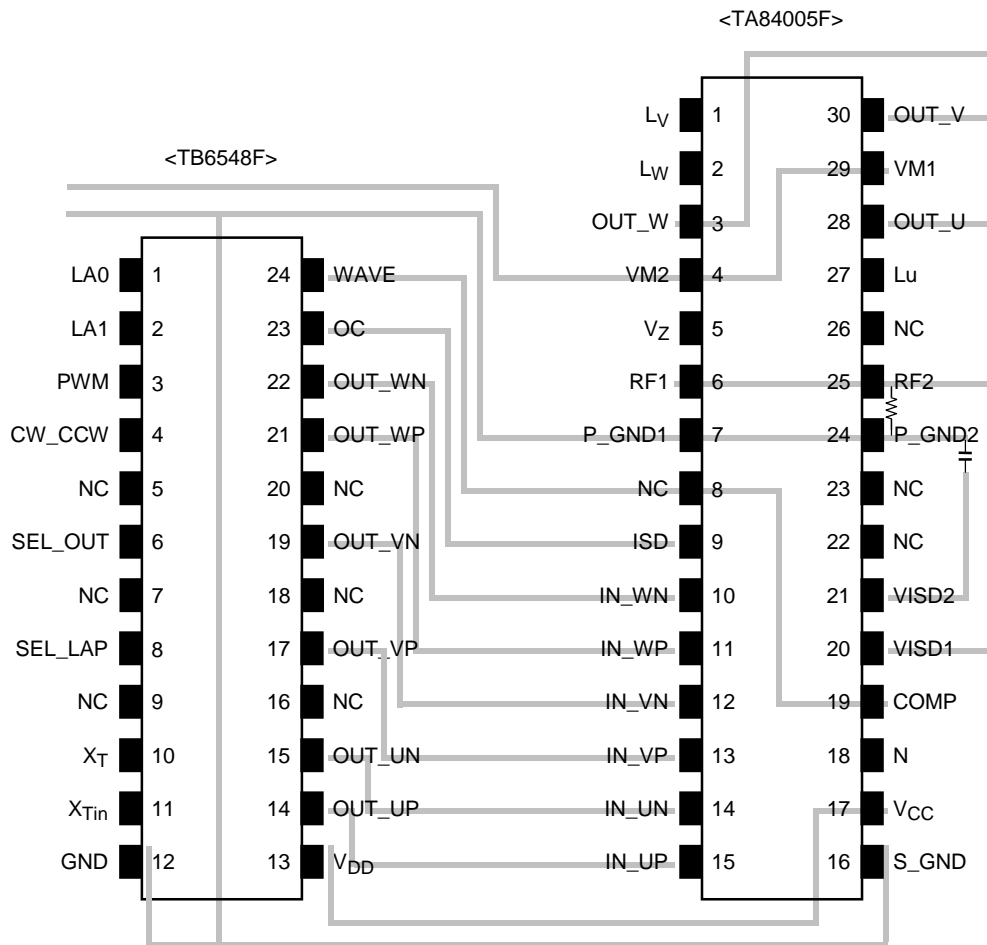
Weight: 0.63 g (typ.)

Note1: This product has a multichip (MCP) structure utilizing Pch MOS technology. Take care when handling because Pch MOS has low electrostatic resistance.

Block Diagram



Pin Assignment



Pin Description

Pin No.	Pin Symbol	Pin Function	Remarks
1	L _V	V-phase output upper Pch gate pin	Leave open.
2	L _W	W-phase output upper Pch gate pin	Leave open.
3	OUT_W	W-phase output pin	Connects motor.
4	VM2	Motor drive power supply pin	Externally connects to VM1.
5	V _Z	Reference voltage pin	Used as VM drop circuit's reference voltage when VM (max) ≥ 22 V. Left open when VM (max) ≤ 22 V.
6	RF1	Output current detection pin	Externally connected to RF2. (Connect a detection resistor between this pin and GND.)
7	P_GND1	Power GND pin	Externally connects to P_GND2.
8	NC	Not connected	—
9	ISD	Overcurrent detection output pin	Connects to TB6548F's OC pin.
10	IN_WN	W-phase upper drive input pin	Connects to TB6548F's OUT_WN pin; incorporates pull-down resistor.
11	IN_WP	W-phase lower drive input pin	Connects to TB6548F's OUT_WP pin; incorporates pull-up resistor.
12	IN_VN	V-phase upper drive input pin	Connects to TB6548F's OUT_VN pin; incorporates pull-down resistor.
13	IN_VP	V-phase lower drive input pin	Connects to TB6548F's OUT_VP pin; incorporates pull-up resistor.
14	IN_UN	U-phase upper drive input pin	Connects to TB6548F's OUT_UN pin; incorporates pull-down resistor.
15	IN_UP	U-phase lower drive input pin	Connects to TB6548F's OUT_UP pin; incorporates pull-up resistor.
16	S_GND	Signal GND pin	—
17	V _{CC}	Control power supply pin	V _{CC (opr)} = 4.5 to 5.5 V
18	N	Mid-point pin	Mid-point potential confirmation pin; left open
19	COMP	Location detection signal output pin	Connects to TB6548F's WAVE pin.
20	VISD1	Overcurrent detection input pin 1	Externally connects to RF2 pin.
21	VISD2	Overcurrent detection input pin 2	Connect a capacitor between this pin and GND. Internal resistor and capacitor used to reduce noise.
22	NC	Not connected	—
23	NC	Not connected	—
24	P_GND2	Power GND pin	Externally connects to P_GND1 pin.
25	RF2	Output current detection pin	Externally connects to RF1 pin. Connect a detection resistor between this pin and GND.
26	NC	Not connected	—
27	Lu	U-phase upper output Pch gate pin	Leave open.
28	OUT_U	U-phase output pin	Connects motor.
29	VM1	Motor drive power supply pin	Externally connects to VM2 pin.
30	OUT_V	V-phase output pin	Connects the motor.

Maximum Ratings (Ta = 25°C)

Characteristics	Symbol	Rating	Unit
Motor power supply voltage	VM	25	V
Control power supply voltage	V _{CC}	7	V
Output current	I _O	1.0	A/phase
Input voltage	V _{IN}	GND - 0.3 -V _{CC} + 0.3 V	V
Power dissipation	Pd	1.1 (Note2)	W
		1.4 (Note3)	
Operating temperature	T _{opr}	-30~85	°C
Storage temperature	T _{stg}	-55~150	°C

Note2: Standalone

Note3: When mounted on PCB (50 × 50 × 1.6 mm, Cu 30%)

Recommended Operating Conditions (Ta = -30~85°C)

Characteristics	Symbol	Test Circuit	Test Conditions	Min	Typ.	Max	Unit
Control power supply voltage	V _{CC}	—	—	4.5	5.0	5.5	V
Motor power supply voltage	VM	—	—	10	20	22	V
Output current	I _O	—	—	—	—	0.5	A
Input voltage	V _{IN}	—	—	GND	—	V _{CC}	V
Chopping frequency	f _{chop}	—	—	15	20	50	kHz
Vz current	I _Z	—	—	—	—	1.0	mA

Electrical Characteristics (Ta = 25°C, VCC = 5 V, VM = 20 V)

Characteristics	Symbol	Test Circuit	Test Conditions	Min	Typ.	Max	Unit
Input voltage	V _{IN} (H)	1	IN_UP, IN_VP, IV_WP IN_UN, IN_VN, IN_WN	2.5	—	5.0	V
	V _{IN} (L)	1	—	GND	—	0.8	
Input current	I _{IN1} (H)	2	V _{IN} = 5 V, IN_UP, IN_VP, IN_WP	—	—	20	μA
	I _{IN2} (H)	2	V _{IN} = 5V, IN_UN, IN_VN, IN_WN	300	450	600	
	I _{IN1} (L)	2	V _{IN} = GND, IN_UN, IN_VN, IN_WN	—	—	1	
	I _{IN2} (L)	2	V _{IN} = GND, IN_UP, IN_VP, IN_WP	300	450	600	
Power supply current	I _{CC1}	3	Upper phase 1 ON, lower phase 1 ON, output open	—	8.0	13.0	mA
	I _{CC2}	3	Upper phase 2 ON, synchronous regeneration mode, output open	—	7.0	12.0	
	I _{CC3}	3	All phases OFF, output open	—	6.0	11	
	IM1	3	Upper phase 1 ON, lower phase 1 ON, output open	—	2.0	3.5	
	IM2	3	Upper phase 2 ON, synchronous regeneration mode, output open	—	2.0	3.5	
	IM3	3	All phases OFF, output open	—	1.8	3.2	
Lower output saturation voltage	VSAT	4	I _O = 0.5 A	—	1.0	1.5	V
Upper output ON resistance	R _{on}	5	I _O = ±0.5 A, bi-directional	—	0.65	1.0	Ω
Lower diode forward voltage	V _F (L)	6	I _F = 0.5 A	—	1.2	1.6	V
Upper diode forward voltage	V _F (H)	7	I _F = 0.5 A	—	0.9	1.4	V
Mid-point voltage	V _N	8	VM = 20 V V _{RF} = 0 V	9.88	10.4	10.92	V
Pin voltage detection level	VCMP	9	VM = 20 V V _{RF} = 0 V	9.88	10.4	10.92	V
Pin voltage detection output voltage	VOL (CMP)	9	I _{OL} = 1 mA	GND	—	0.5	V
	ROH (CMP)	9	—	7	10	13	kΩ
Overcurrent detection level	V _{RF}	10	—	0.45	0.5	0.55	V
Overcurrent detection output voltage	VOH (ISD)	10	I _{OH} = 0.1 mA	4.5	—	5.0	V
	ROL (ISD)	10	—	14	20	26	kΩ
Reference voltage	V _Z	11	I _Z = 0.5 mA, T _j = 25°C	20.9	22.0	23.1	V
TSD temperature	TSD	—	T _j	—	180	—	°C
TSD hysteresis width	ΔT	—	—	—	30	—	°C
Output leakage current	I _L (H)	12	Pch MOS	—	0	100	μA
	I _L (L)	13	—	—	0	50	

Functions

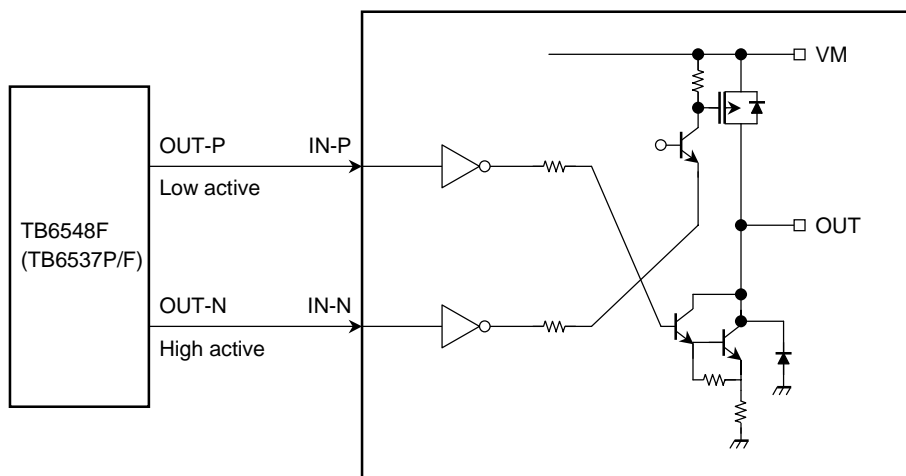
Input		Output		
IN-P	IN-N	Upper Power Transistor	Lower Power Transistor	
High	High	ON	OFF	High
Low	High	ON	ON	Prohibit Mode (Note4)
High	Low	OFF	OFF	High impedance
Low	Low	OFF	ON	Low

Connecting TB6548F (or TB6537P/F) to TA84005F allows electric motors to be controlled by PWM.

Note4: In Prohibit Mode, the output power transistor goes into vertical ON mode and through current may damage the circuit. Do not use TA84005F in this mode.

When TA84005F is connected to TB6548F or TB6537P/F, this mode does not occur but can be triggered by input noise during standalone testing.

<Schematic>

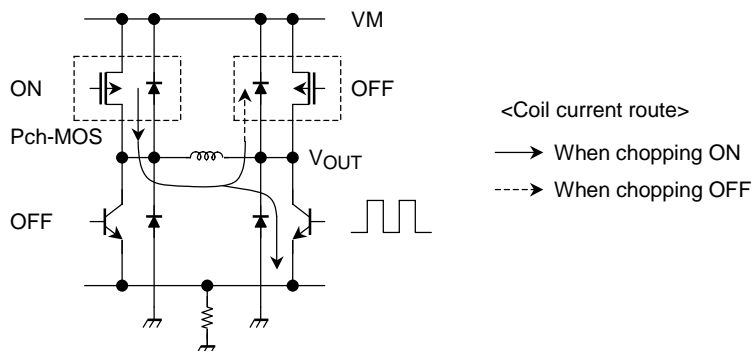


<Lower PWM>

Connecting TA84005F to TB6537P/F controls lower PWM.

At chopping ON, the diagonally output power transistors are ON.

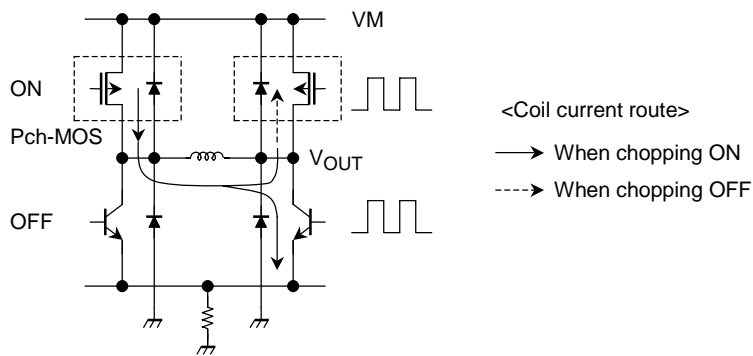
At chopping OFF, the lower transistor is OFF, regenerating the motor current via the upper diode (incorporates Pch MOS).



<Synchronous rectification PWM>

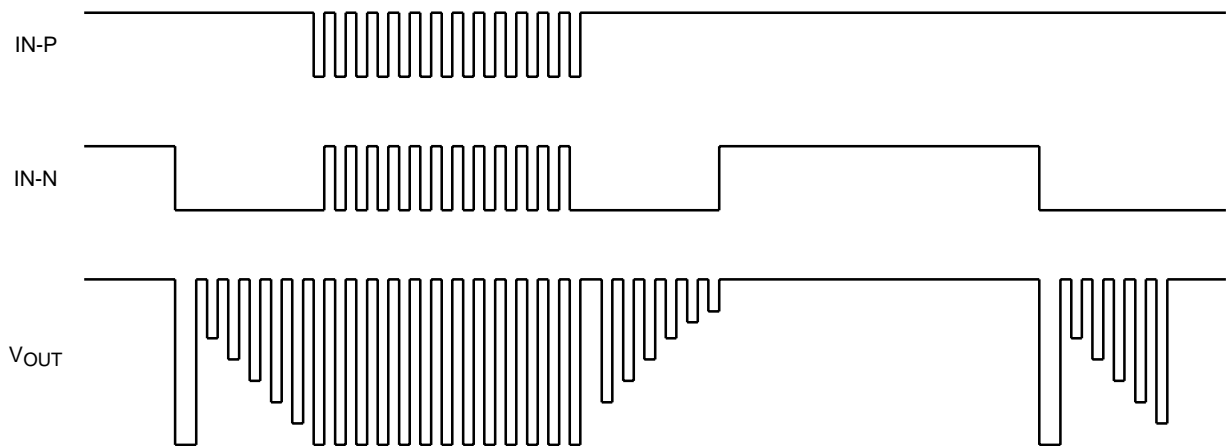
Connecting TA84005F to TB6548F controls synchronous rectification PWM.

At chopping OFF, power dissipation is reduced by operating the Pch MOS in reverse and regenerating the motor's current.



<Timing Chart>

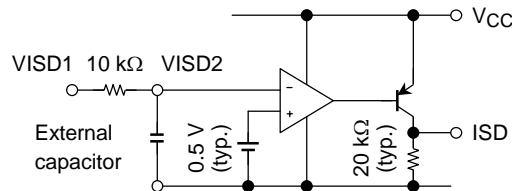
When controlling synchronous rectification PWM



Equivalent Circuit

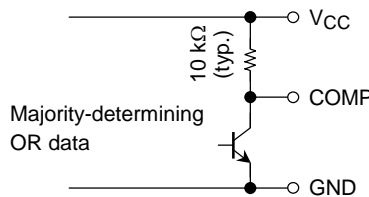
<Overcurrent detector (RF, VISD, ISD) >

- Input to the VISD1 pin the voltage generated at the overcurrent detection resistor RF connected to the RF pin.)
 - At chopping ON, voltage spikes at the RF pin as a result of the Pch MOS output capacitance. To cancel the spike, externally connect a capacitor to the VISD2 pin. (10 kΩ resistor built-in)
 - If the VISD2 pin voltage exceeds the internal reference voltage (VRF = 0.5 V), the overcurrent detection output ISD pin goes High.
- Inputting the ISD pin output to the TB6537P/F or TB6548F OC pin limits the PWM ON time and the current at the ISD output rising edge.



<Pin voltage detector (COMP) >

- The pin voltage detector outputs the result of ORing the output pin voltages and the virtual mid-point N voltage to determine the majority. (If at least two phases of the three-phase output are larger than the mid-point potential, the detector outputs “Low”. Conversely, if at least two phases are smaller than the mid-point potential, the circuit outputs “High”.)



- Regarding the virtual mid-point potential VN used as the reference for the pin voltage detection circuit as half the voltage applied to the motor,

$$VN = [(VM - Ron (upper) *IO) - (Vsat (lower) + VRF)]/2 + Vsat + VRF$$

$$= [VM - VRF + Vsat (lower) - Ron (upper) *IO]/2 + VRF$$

Here, considering that: $V_{sat} (lower) - Ron (upper) *IO \approx VF$,
 setting is: $VN = [VM - VRF + VF]/2 + VRF$

<Overheating protector>

- Automatic restoration TSD (ON) = 180°C TSD (OFF) = 150°C
- Temperature hysteresis supported TSD (HYS) = 30°C

<Example of 24 V support>

- Incorporate a Zener diode and make external connections shown in the diagram below, and design the device so that the voltage applied to the VM is clamped at 22 V below the maximum operating power supply voltage.
- A capacitor is needed to control the effect of the counter electromotive force. Verification is particularly necessary when the motor current is large at startup or at shut down (output OFF).

V_z pin fluctuation width

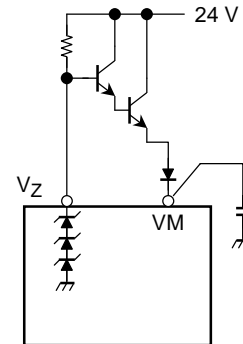
20.9 V to 23.1 V

Because of the temperature characteristics ($3.5 \times 3 \text{ mV}/^\circ\text{C}$),
at an ambient temperature of 85°C :

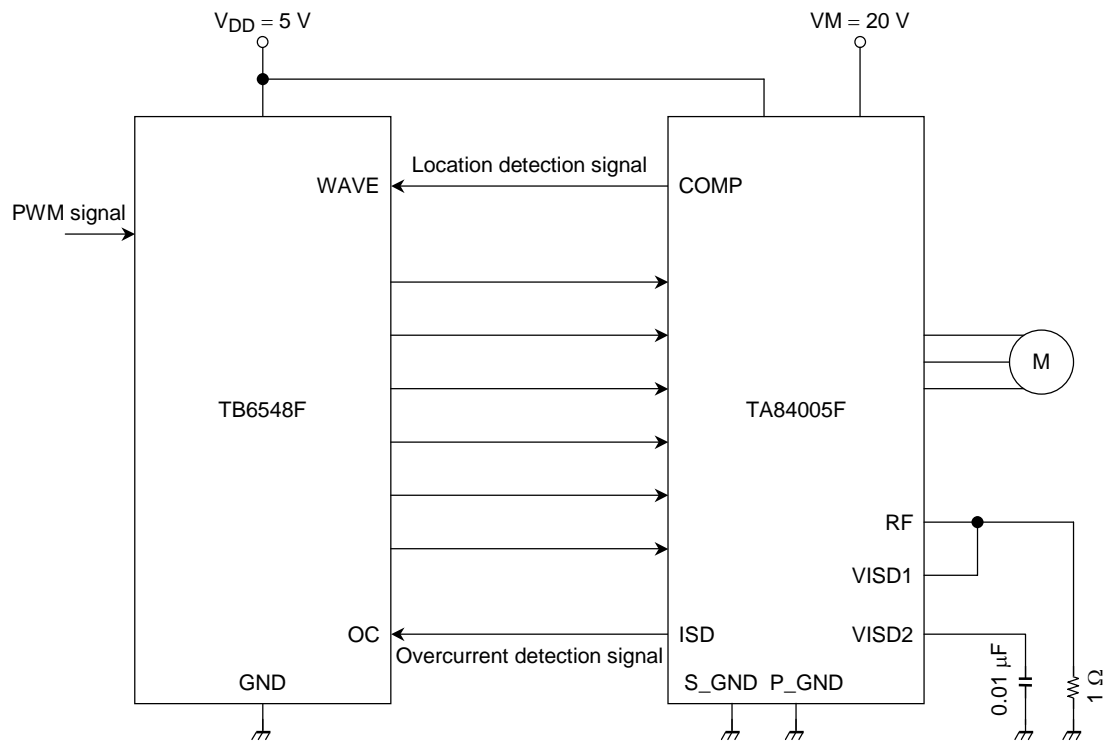
$$V_z (\text{max}) = 23.1 + (85 - 25) \times 3.5 \times 3 \text{ mV} \\ = 23.73 \text{ V}$$

By taking the measures in the diagram at right to bring
the voltage down to 22 V:

$$V_z (\text{max}) = 23.73 - (0.7 - 2 \text{ mV} \times (85 - 25)) \times 3 \\ = 21.99 \text{ V}$$

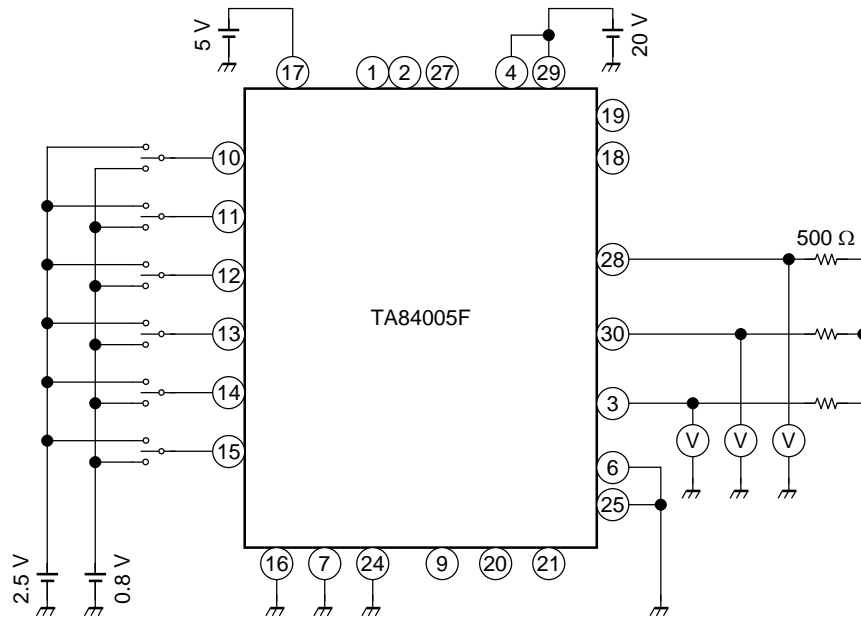


Example of Application Circuit



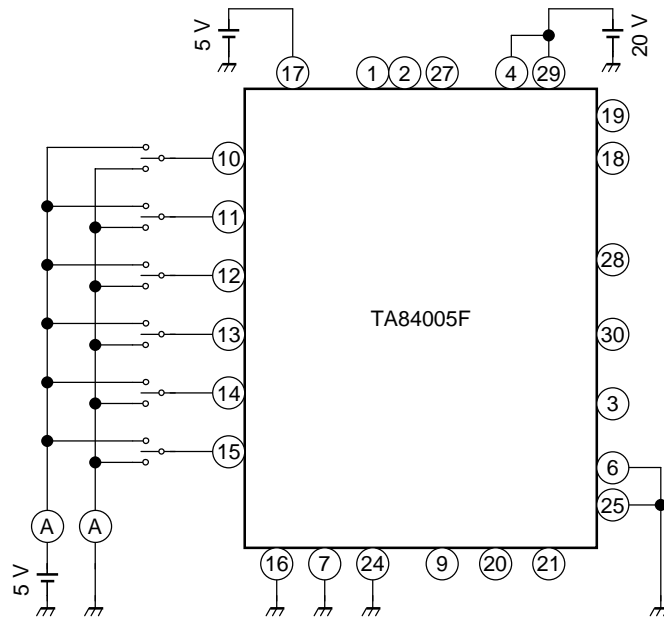
Note5: A short circuit between the outputs, or between output and supply or ground may damage the device. Design the output lines, V_{CC}, V_S, and GND lines so that short circuits do not occur.

Test Circuit 1: V_{IN} (H), V_{IN} (L)

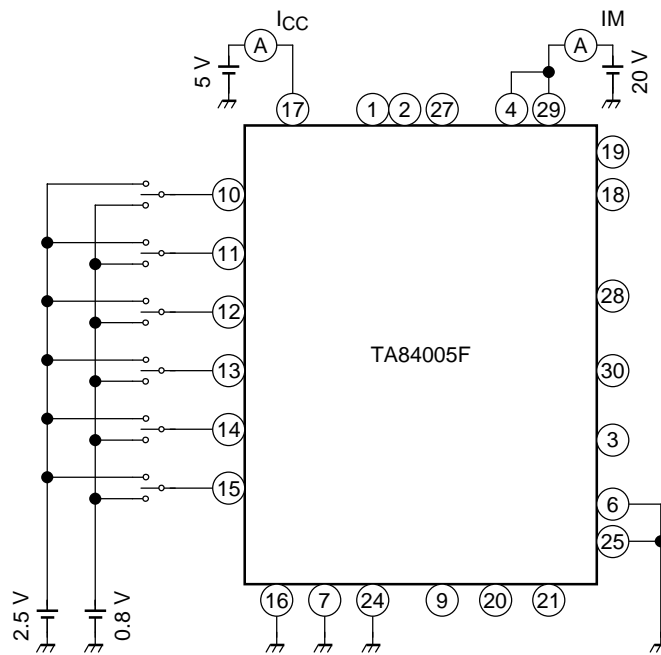


Input $V_{IN} = 0.8\text{ V}/2.5\text{ V}$, measure the output voltage, and test the function.

Test Circuit 2: I_{IN} (H), I_{IN} (L)

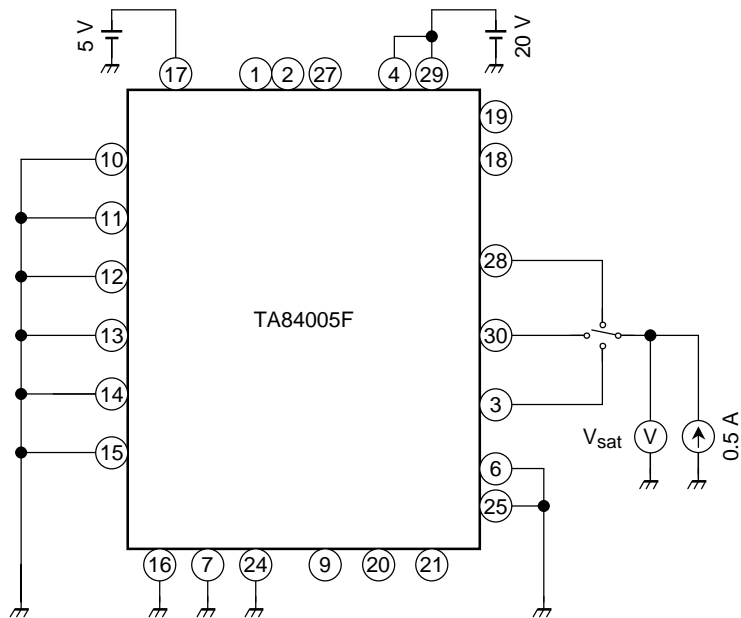


Test Circuit 3: I_{CC1}, I_{CC2}, I_{CC3}, I_{M1}, I_{M2}, I_{M3}

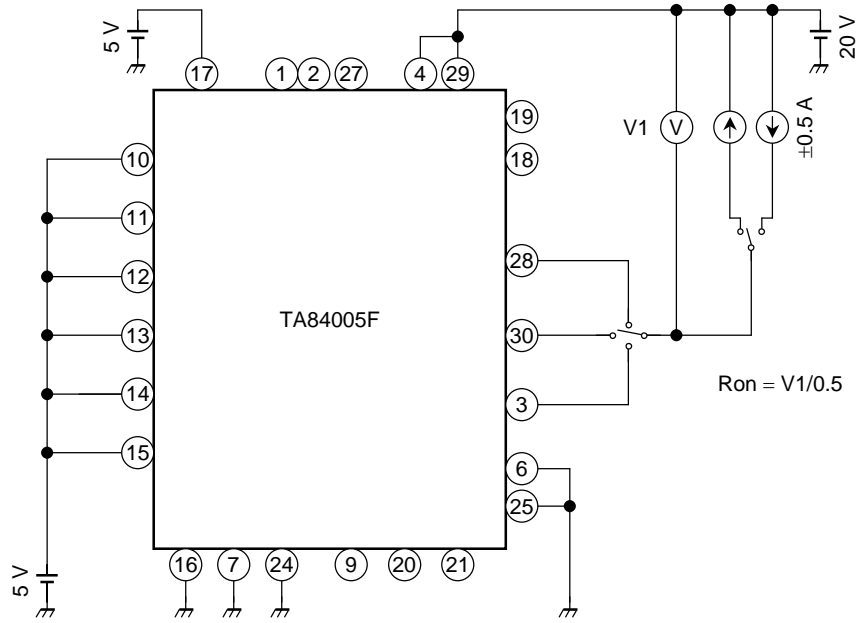


- I_{CC1}, I_{M1}: Upper phase 1 ON, lower phase 1 ON (eg, U-phase: H; V-phase: L; W-phase: Z)
- I_{CC2}, I_{M2}: Upper phase 1 ON, synchronous regeneration mode (eg, U-phase: H; V-phase: H; W-phase: Z)
- I_{CC3}, I_{M3}: All phases OFF

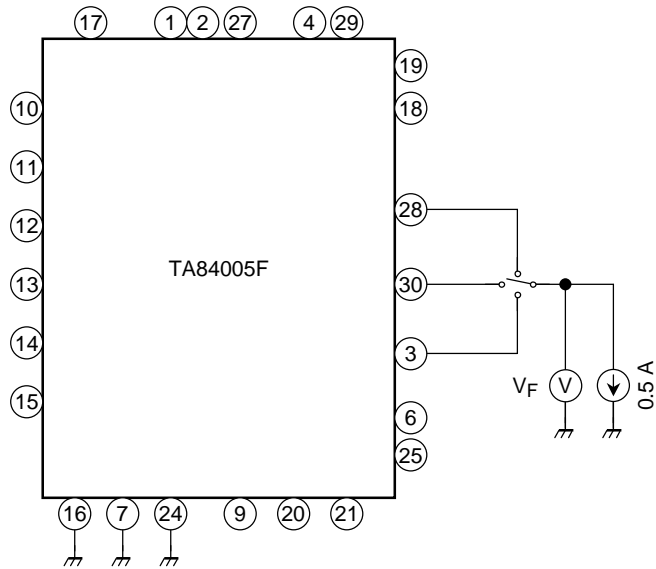
Test Circuit 4: V_{sat}



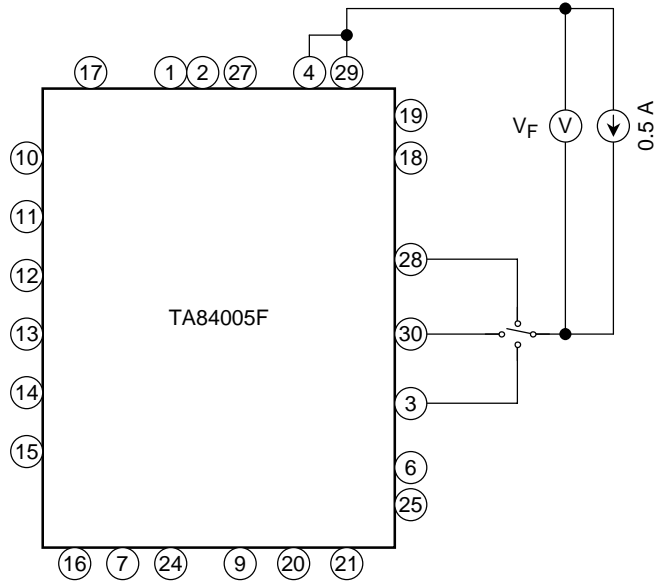
Test Circuit 5: Ron



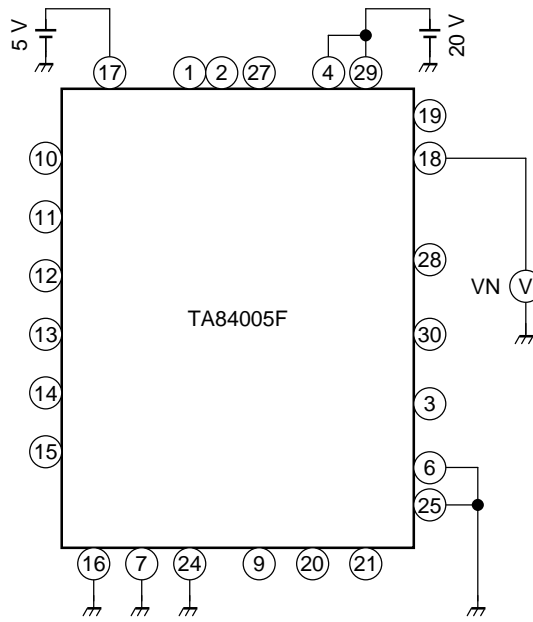
Test Circuit 6: VF (L)



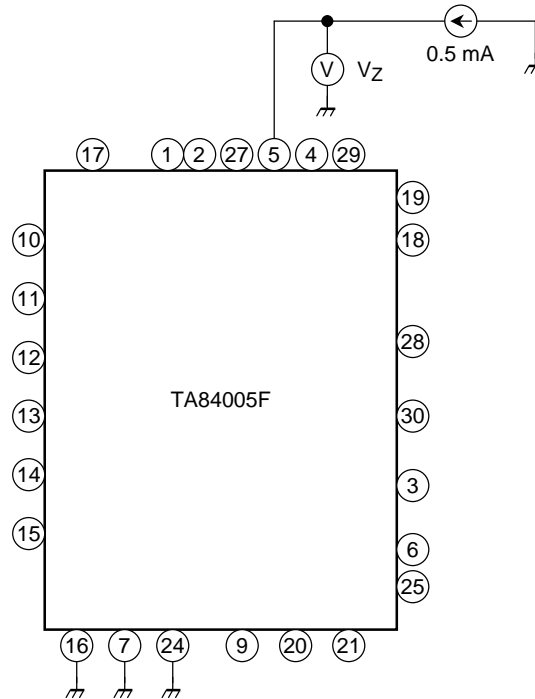
Test Circuit 7: V_F (H)



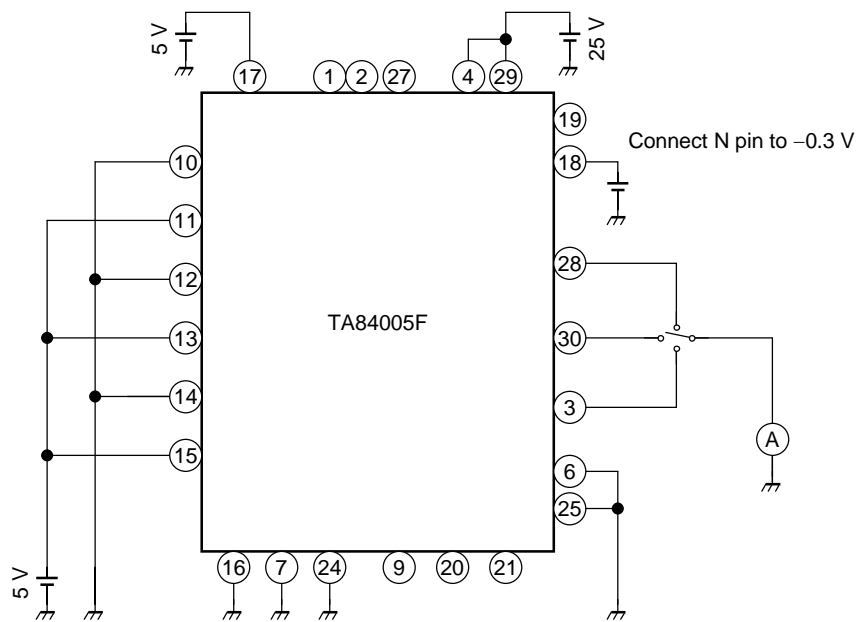
Test Circuit 8: V_N



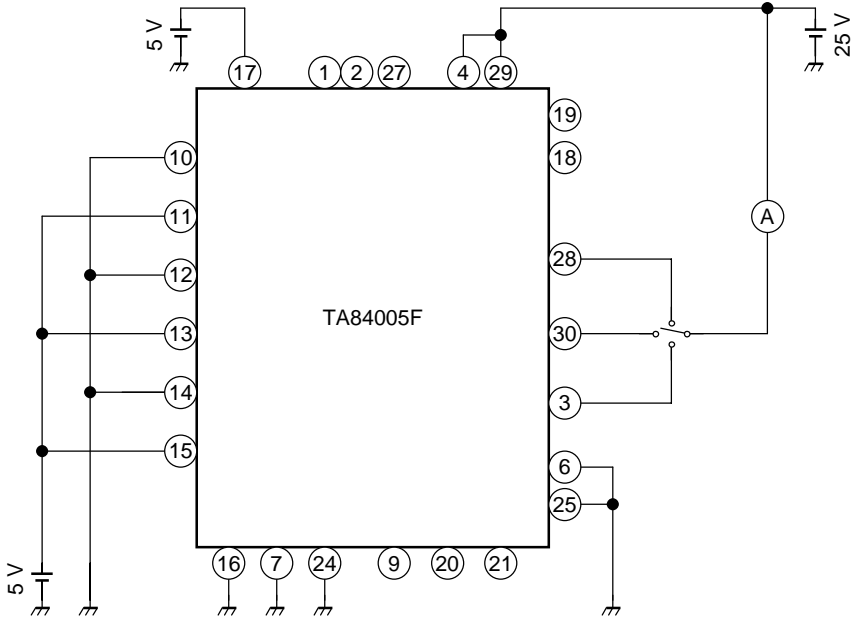
Test Circuit 11: V_Z



Test Circuit 12: $I_L (H)$



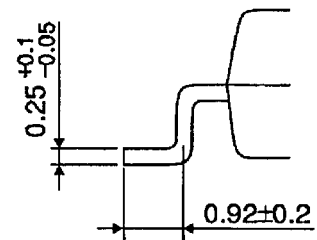
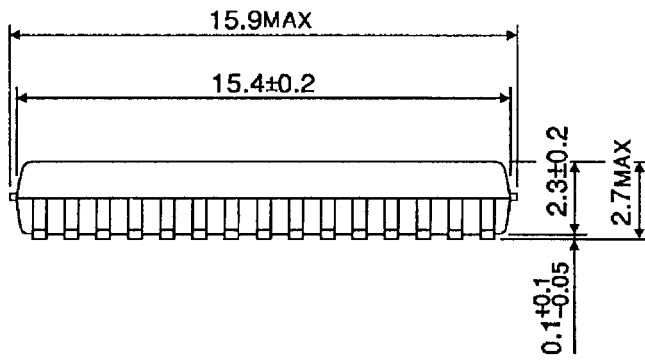
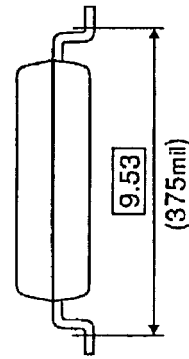
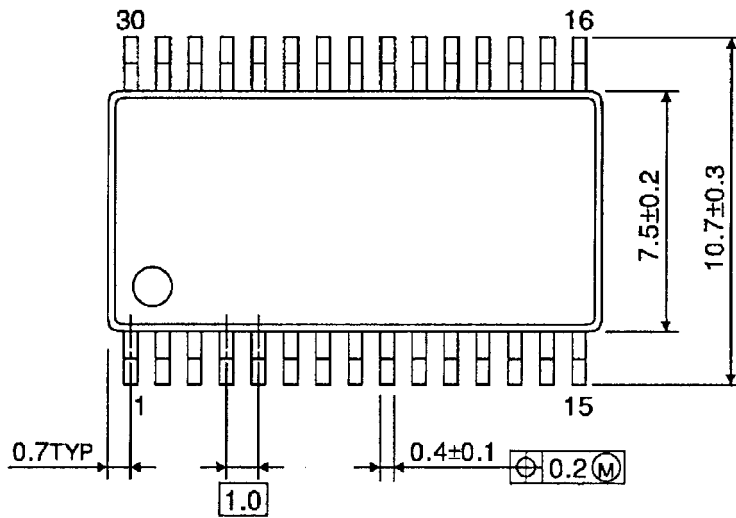
Test Circuit Test Circuit 13: I_L (L)



Package Dimensions

SSOP30-P-375-1.00

Unit : mm



Weight: 0.63 g (typ.)

RESTRICTIONS ON PRODUCT USE

000707EBA

- TOSHIBA is continually working to improve the quality and reliability of its products. Nevertheless, semiconductor devices in general can malfunction or fail due to their inherent electrical sensitivity and vulnerability to physical stress. It is the responsibility of the buyer, when utilizing TOSHIBA products, to comply with the standards of safety in making a safe design for the entire system, and to avoid situations in which a malfunction or failure of such TOSHIBA products could cause loss of human life, bodily injury or damage to property.
In developing your designs, please ensure that TOSHIBA products are used within specified operating ranges as set forth in the most recent TOSHIBA products specifications. Also, please keep in mind the precautions and conditions set forth in the "Handling Guide for Semiconductor Devices," or "TOSHIBA Semiconductor Reliability Handbook" etc..
- The TOSHIBA products listed in this document are intended for usage in general electronics applications (computer, personal equipment, office equipment, measuring equipment, industrial robotics, domestic appliances, etc.). These TOSHIBA products are neither intended nor warranted for usage in equipment that requires extraordinarily high quality and/or reliability or a malfunction or failure of which may cause loss of human life or bodily injury ("Unintended Usage"). Unintended Usage include atomic energy control instruments, airplane or spaceship instruments, transportation instruments, traffic signal instruments, combustion control instruments, medical instruments, all types of safety devices, etc.. Unintended Usage of TOSHIBA products listed in this document shall be made at the customer's own risk.
- The products described in this document are subject to the foreign exchange and foreign trade laws.
- The information contained herein is presented only as a guide for the applications of our products. No responsibility is assumed by TOSHIBA CORPORATION for any infringements of intellectual property or other rights of the third parties which may result from its use. No license is granted by implication or otherwise under any intellectual property or other rights of TOSHIBA CORPORATION or others.
- The information contained herein is subject to change without notice.