

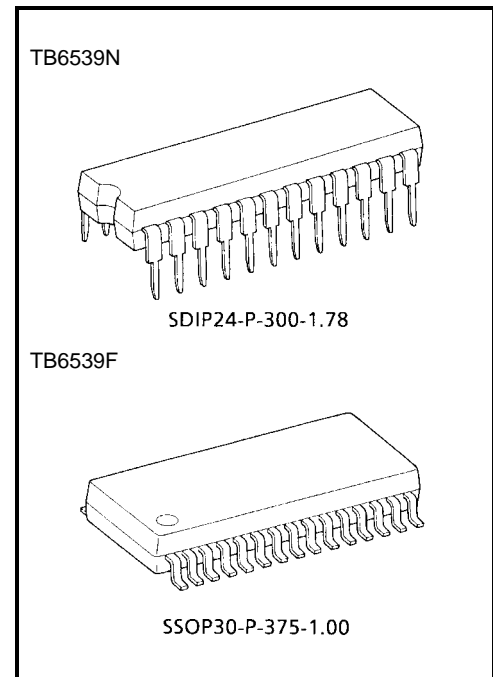
TOSHIBA Bi-CMOS Integrated Circuit Silicon Monolithic

# TB6539N, TB6539F

3-Phase Full-Wave Sine-Wave PWM Brushless Motor Control

## Features

- Sine-wave PWM control
- Built-in triangular-wave generator  
(carrier cycle =  $f_{osc}/252$  (Hz))
- Built-in lead angle control function (0 to 58° in 32 steps)
- Built-in dead time function
- Supports bootstrap circuit
- Overcurrent protection signal input pin
- Built-in regulator ( $V_{refout} = 5$  V (typ.), 30 mA (max))
- Operating supply voltage range:  $V_{CC} = 10$  to 18 V  
 $V_M = 4.5$  to 18 V

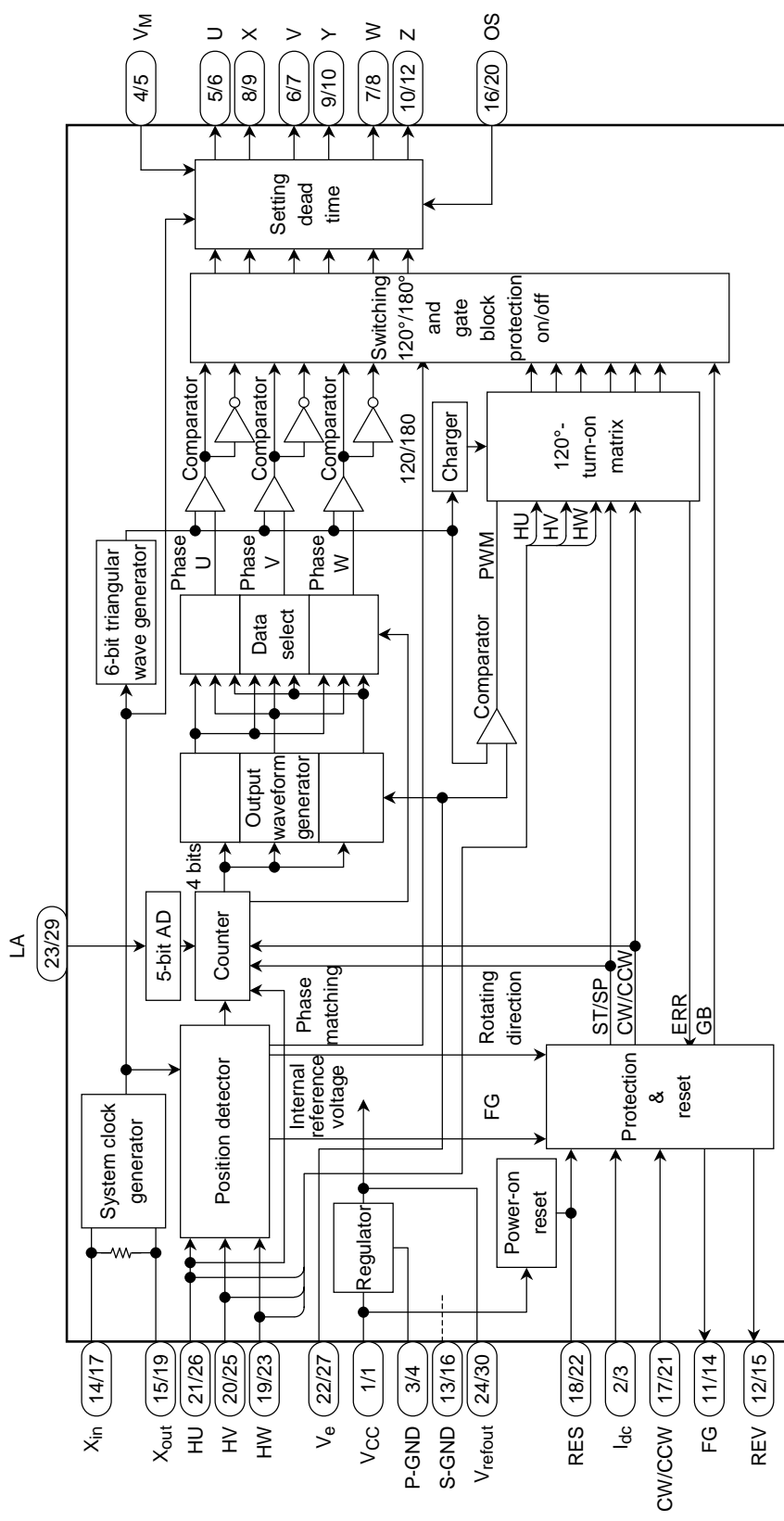


Weight

SDIP24-P-300-1.78 : 1.62 g (typ.)

SSOP30-P-375-1.00 : 0.63 g (typ.)

**Block Diagram**



※ The pin numbers shown above are for the TB6539N/TB6539F

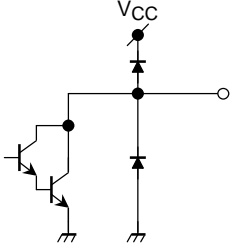
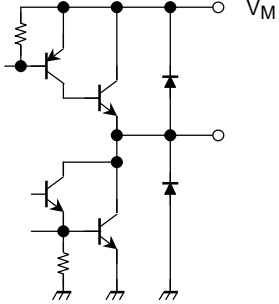
## Pin Description

Pin No.		Symbol	Description	Remarks
TB6539N	TB6539F			
21	26	HU	Positional signal input pin U	When positional signal is HHH or LLL, gate block protection operates. With built-in pull-up resistor
20	25	HV	Positional signal input pin V	
19	13	HW	Positional signal input pin W	
17	21	CW/CCW	Rotation direction signal input pin	L: Forward H: Reverse
18	22	RES	Reset-signal-input pin	L: Reset (Output is non-active) Operation/Halt operation Also used for gate block protection
22	27	V <sub>e</sub>	Inputs voltage instruction signal	With built-in pull-down resistor
23	29	LA	Lead angle setting signal input pin	Sets 0 to 58° in 32 steps
16	20	OS	Inputs output logic select signal	L: Active low H: Active high
2	3	I <sub>dc</sub>	Inputs overcurrent-protection-signal	Inputs DC link current. Reference voltage: 0.5 V With built-in filter (≈ 1 μs)
14	17	X <sub>in</sub>	Inputs clock signal	With built-in feedback resistor
15	19	X <sub>out</sub>	Outputs clock signal	
24	30	V <sub>refout</sub>	Outputs reference voltage signal	5 V (typ.), 30 mA (max)
11	14	FG	FG signal output pin	Outputs 3PPR of positional signal
12	15	REV	Reverse rotation detection signal	Detects reverse rotation.
5	6	U	Outputs turn-on signal	Select active high or active low using the output logic select pin.
6	7	V	Outputs turn-on signal	
7	8	W	Outputs turn-on signal	
8	9	X	Outputs turn-on signal	
9	10	Y	Outputs turn-on signal	
10	12	Z	Outputs turn-on signal	
1	1	V <sub>CC</sub>	Power supply voltage pin	V <sub>CC</sub> = 10~18 V
4	5	V <sub>M</sub>	Apply power supply for output circuit.	V <sub>M</sub> = 4.5~18 V
3	4	P-GND	Ground for power supply	Ground pin
13	16	S-GND	Ground for signals	Ground pin

**Input/Output Equivalent Circuits**

Pin Description	Symbol	Input/Output Signal	Input/Output Internal Circuit
Positional signal input pin U Positional signal input pin V Positional signal input pin W	HU HV HW	Digital With Schmitt trigger Hysteresis 300 mV (typ.) L: 0.8 V (max) H: $V_{refout} - 1\text{ V}$ (min)	
Forward/reverse switching input pin L: Forward (CW) H: Reverse (CCW)	CW/CCW	Digital With Schmitt trigger Hysteresis 300 mV (typ.) L: 0.8 V (max) H: $V_{refout} - 1\text{ V}$ (min)	
Reset input L: Stops operation (reset). H: Operates.	RES	Digital With Schmitt trigger Hysteresis 300 mV (typ.) L: 0.8 V (max) H: $V_{refout} - 1\text{ V}$ (min)	
Voltage instruction signal input pin Turn on the lower transistor at 0.2 V or less. (X, Y, Z pins: ON duty of 8%)	$V_e$	Analog Input range 0 to 5.0 V Input voltage of $V_{refout}$ or higher is clipped to $V_{refout}$ .	
Lead angle setting signal input pin 0 V: 0° 5 V: 58° (5-bit AD)	LA	Analog Input range 0 to 5.0 V Input voltage of $V_{refout}$ or higher is clipped to $V_{refout}$ .	

Pin Description	Symbol	Input/Output Signal	Input/Output Internal Circuit
Output logic select signal input pin  L: Active low H: Active high	OS	Digital  L: 0.8 V (max) H: $V_{refout} - 1$ V (min)	
Overcurrent protection signal input pin	$I_{dc}$	Analog  Gate block protected at 0.5 V or higher (released at carrier cycle)	
Clock signal input pin	$X_{in}$	Operating range  2 to 8 MHz (crystal oscillation)	
Clock signal output pin	$X_{out}$		
Reference voltage signal output pin	$V_{refout}$	$5 \pm 0.5$ V (max 30 mA)	
Reverse-rotation-detection signal output pin	REV	Digital  Open collector output: 20 mA (max)	

Pin Description	Symbol	Input/Output Signal	Input/Output Internal Circuit
FG signal output pin	FG	Digital Open collector output: 20 mA (max)	
Turn-on signal output pin U Turn-on signal output pin V Turn-on signal output pin W Turn-on signal output pin X Turn-on signal output pin Y Turn-on signal output pin Z	U V W X Y Z	Analog Push-pull output: 20 mA (max) L: 1.3 V (max) H: $V_M - 1.3$ V (min)	

## Maximum Ratings (Ta = 25°C)

Characteristics		Symbol	Rating	Unit
Supply voltage		V <sub>CC</sub>	18	V
		V <sub>M</sub>	18	
Input voltage		V <sub>in</sub> (1)	-0.3~V <sub>CC</sub> (Note 1)	V
		V <sub>in</sub> (2)	-0.3~5.5 (Note 2)	
Turn-on signal output current		I <sub>OUT</sub>	20	mA
Power dissipation	N T y p e	P <sub>D</sub>	1.75 (Note 3)	W
	F T y p e		1.50 (Note 4)	
Operating temperature		T <sub>opr</sub>	-30~115 (Note 5)	°C
Storage temperature		T <sub>stg</sub>	-50~150	°C

Note 1: V<sub>in</sub> (1) pin: V<sub>e</sub>, LA, REV, FG

Note 2: V<sub>in</sub> (2) pin: HU, HV, HW, CW/CCW, RES, OS, I<sub>dc</sub>

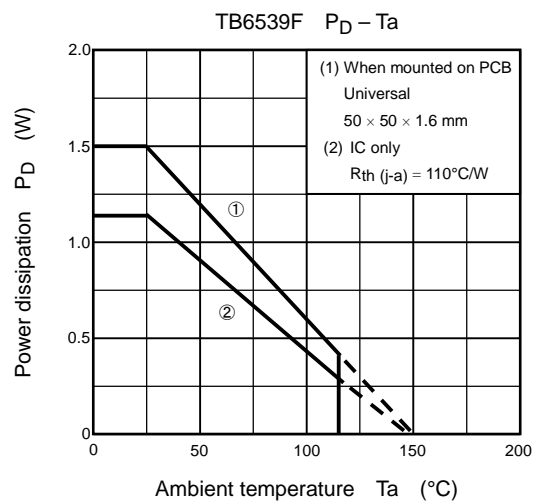
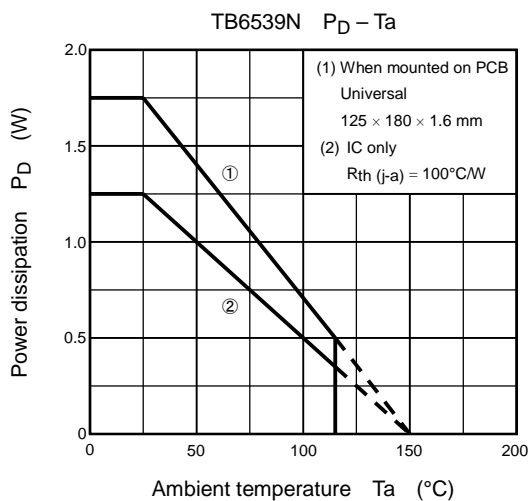
Note 3: When mounted on PCB (universal 125 × 180 × 1.6 mm)

Note 4: When mounted on PCB (universal 50 × 50 × 1.6 mm)

Note 5: Operating temperature range is determined by the P<sub>D</sub> – Ta characteristic.

## Recommended Operating Conditions (Ta = 25°C)

Characteristics	Symbol	Min	Typ.	Max	Unit
Supply voltage	V <sub>CC</sub>	10	15	18	V
	V <sub>M</sub>	4.5	5	18	
Crystal oscillation frequency	X <sub>in</sub>	2	4	8	MHz

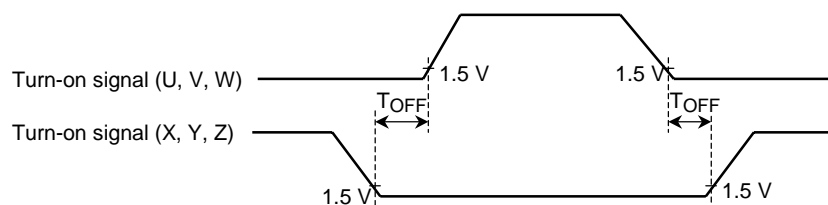


## Electrical Characteristics (Ta = 25°C, VCC = 15 V)

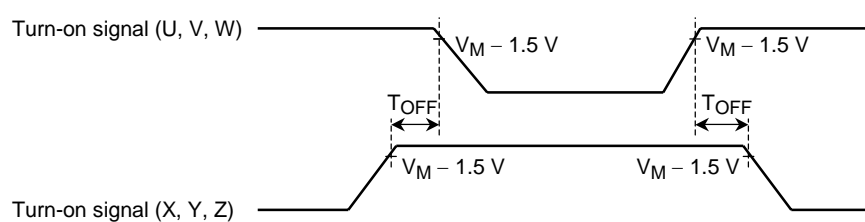
Characteristics	Symbol	Test Circuit	Test Condition	Min	Typ.	Max	Unit
Supply current	I <sub>CC</sub>	—	V <sub>refout</sub> = OPEN	—	20	30	mA
	I <sub>M</sub>	—	V <sub>M</sub> = 5 V	—	8	12	
Input current	I <sub>in</sub> (1)	—	V <sub>in</sub> = 5 V V <sub>e</sub> , LA	—	25	40	μA
	I <sub>in</sub> (2)-1		V <sub>in</sub> = 0 V HU, HV, HW	-40	-25	—	
	I <sub>in</sub> (2)-2		V <sub>in</sub> = 0 V CW/CCW, OS	-80	-50	—	
	I <sub>in</sub> (2)-3		V <sub>in</sub> = 5 V RES	—	50	80	
Input voltage	V <sub>in</sub>	High	HU, HV, HW, CW/CCW, RES, OS	V <sub>refout</sub> - 1	—	V <sub>refout</sub>	V
		Low		—	—	0.8	
Input hysteresis voltage	V <sub>H</sub>	—	HU, HV, HW, CW/CCW, RES	—	0.3	—	V
Output voltage	V <sub>OUT</sub> (H)-1	—	I <sub>OUT</sub> = 20 mA U, V, W, X, Y, Z V <sub>M</sub> = 5 V	V <sub>M</sub> - 1.3	V <sub>M</sub> - 1.0	—	V
	V <sub>OUT</sub> (L)-1		I <sub>OUT</sub> = -20 mA U, V, W, X, Y, Z V <sub>M</sub> = 5 V	—	1.0	1.3	
	V <sub>REV</sub>		I <sub>OUT</sub> = -20 mA REV	—	1.0	1.3	
	V <sub>refout</sub>		I <sub>OUT</sub> = 30 mA V <sub>refout</sub>	4.5	5.0	5.5	
	V <sub>FG</sub>		I <sub>OUT</sub> = -20 mA FG	—	1.0	1.3	
Output leakage current	I <sub>L</sub> (H)	—	V <sub>M</sub> = 15 V, V <sub>OUT</sub> = 0 V U, V, W, X, Y, Z	—	0	10	μA
	I <sub>L</sub> (L)		V <sub>M</sub> = 15 V, V <sub>OUT</sub> = 15 V U, V, W, X, Y, Z	—	0	10	
Output off-time by upper/lower transistor	T <sub>OFF</sub>	—	V <sub>M</sub> = 5 V/15 V, I <sub>OUT</sub> = ± 20 mA OS = High/Low, X <sub>in</sub> = 4.19 MHz (Note 1)	3.0	3.8	—	μs
Overcurrent detection	V <sub>dc</sub>	—	I <sub>dc</sub>	0.45	0.5	0.55	V
Lead angle correction	T <sub>LA</sub> (0)	—	L <sub>A</sub> = 0 V or Open, Hall IN = 100 Hz	—	0	—	°
	T <sub>LA</sub> (2.5)		L <sub>A</sub> = 2.5 V, Hall IN = 100 Hz	27.5	32	34.5	
	T <sub>LA</sub> (5)		L <sub>A</sub> = 5 V, Hall IN = 100 Hz	53.5	59	62.5	
V <sub>CC</sub> monitor	V <sub>CC</sub> (H)	—	Output start operation point	7.5	8.5	9.5	V
	V <sub>CC</sub> (L)		No output operation point	6.5	7.5	8.5	
	V <sub>HYS</sub>			—	1.0	—	

Note 1:

OS = High



OS = Low





## Functional Description

### 1. Basic operation

The motor is driven by the square-wave turn-on signal based on a positional signal. When the positional signal reaches number of rotations  $f = 5$  Hz or higher, the rotor position is assumed according to the positional signal and a modulation wave is generated. The modulation wave and the triangular wave are compared then the sine-wave PWM signal is generated and the motor is driven.

From start to 5 Hz: When driven by square wave (120° turn-on)  $f = f_{osc}/(2^{12} \times 32 \times 6)$

5 Hz~: When driven by sine-wave PWM (180° turn-on) When  $f_{osc} = 4$  MHz, approx. 5 Hz

### 2. Function to stabilize bootstrap voltage

- (1) When voltage instruction is input at  $V_e \leq 0.2$  V:  
Turns on the lower transistor at regular (carrier) cycle. (On duty is approx. 8%)
- (2) When voltage instruction is input at  $V_e > 0.2$  V:  
During sine-wave drive, outputs drive signal as it is.  
During square-wave drive, forcibly turns on the lower transistor at regular (carrier) cycle.  
(On duty is approx. 8%)

Note: At startup, to charge the upper transistor gate power supply, turn the lower transistor on for a fixed time with  $V_e \leq 0.2$  V.

### 3. Dead time function: upper/lower transistor output off-time

When driving the motor by sine-wave PWM, to prevent a short circuit caused by simultaneously turning on upper and lower external power devices, digitally generates dead time in the IC.

Dead time:  $T_d = 16/f_{osc}$  (s) When  $f_{osc} = 4$  MHz, approx.  $T_d = 4 \mu\text{s}$ .

$f_{osc}$  = reference clock (crystal oscillation)

### 4. Correcting lead angle

The lead angle can be corrected in the turn-on signal range from 0 to 58° in relation to the induced voltage.

Analog input from LA pin (0 to 5 V divided by 32)

0 V = 0°

5 V = 58° (when more than 5 V is input, 58°)

### 5. Setting carrier frequency

Sets triangular wave cycle (carrier cycle) necessary for generating PWM signal.

(The triangular wave is used for forcibly turning on the lower transistor when driving the motor by square wave.)

Carrier cycle =  $f_{osc}/252$  (Hz)  $f_{osc}$  = reference clock (crystal oscillation)

### 6. Switching the output of turn-on signal

Switches the output of turn-on signal between high and low.

Pin OS:

High = active high

Low = active low

### 7. Outputting reverse rotation detection signal

Detects motor rotation direction every electrical angle of 360°. (The output is high immediately after reset)

REV terminal increases with a 180° turn-on mode at the time of High-Z.

CW/CCW Pin	Actual Motor Rotating Direction	REV Pin
Low (CW)	CW (forward)	High-Z
	CCW (reverse)	Low
High (CCW)	CW (forward)	Low
	CCW (reverse)	High-Z

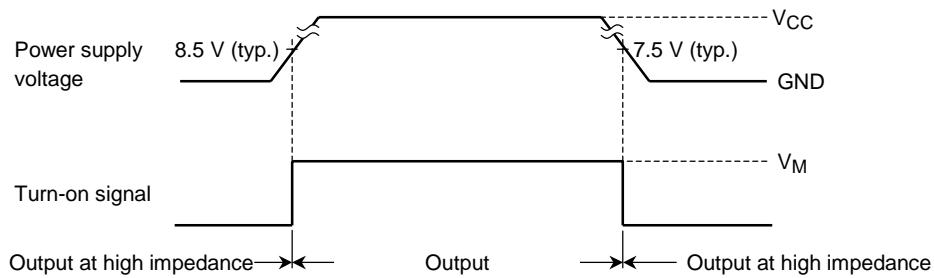
**8. Protecting input pin**

1. Overcurrent protection (Pin  $I_{dc}$ )  
 When the DC-link-current exceeds the internal reference voltage, performs gate block protection.  
 Overcurrent protection is released for each carrier frequency.  
 Reference voltage = 0.5 V (typ.)
2. Gate block protection (Pin RES)  
 When the input signal level is Low, turns off the output; when High, restarts the output.  
 Detects abnormality externally and inputs the signal to the pin RES.

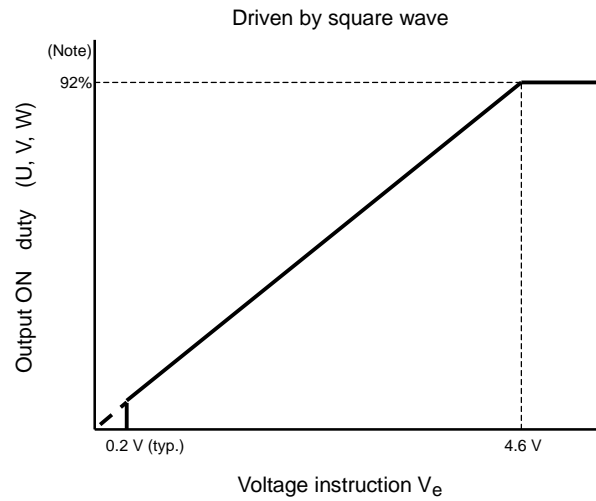
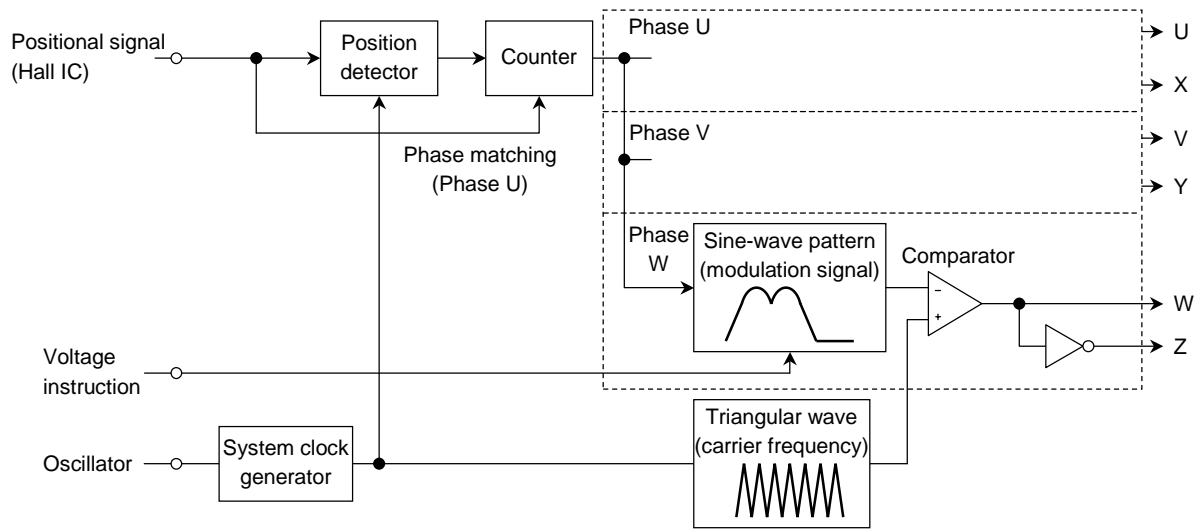
RES Pin	OS Pin	Output Turn-on Signal (U, V, W, X, Y, Z)
Low	Low	High
	High	Low

(When RES = Low, bootstrap capacitor charging stops.)

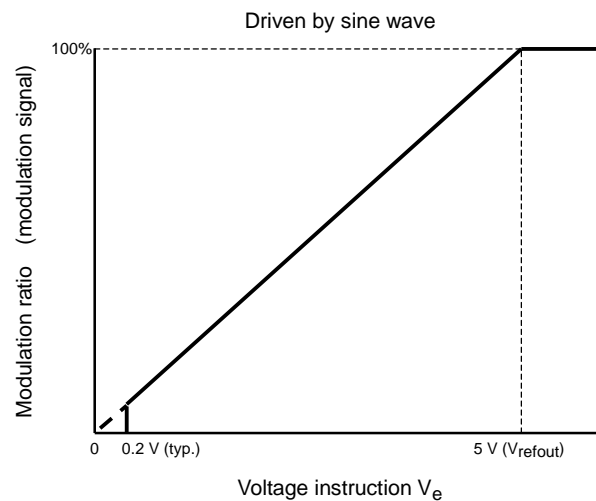
3. Internal protection
  - Positional signal abnormality protection  
 When the positional signal is HHH or LLL, turns off the output; otherwise, restarts the output.
  - Low power supply voltage protection (VCC monitor)  
 When power supply is on/off, prevents damage caused by short-circuiting power device by keeping the turn-on signal output at high impedance outside the operating voltage range.



## Operation Flow



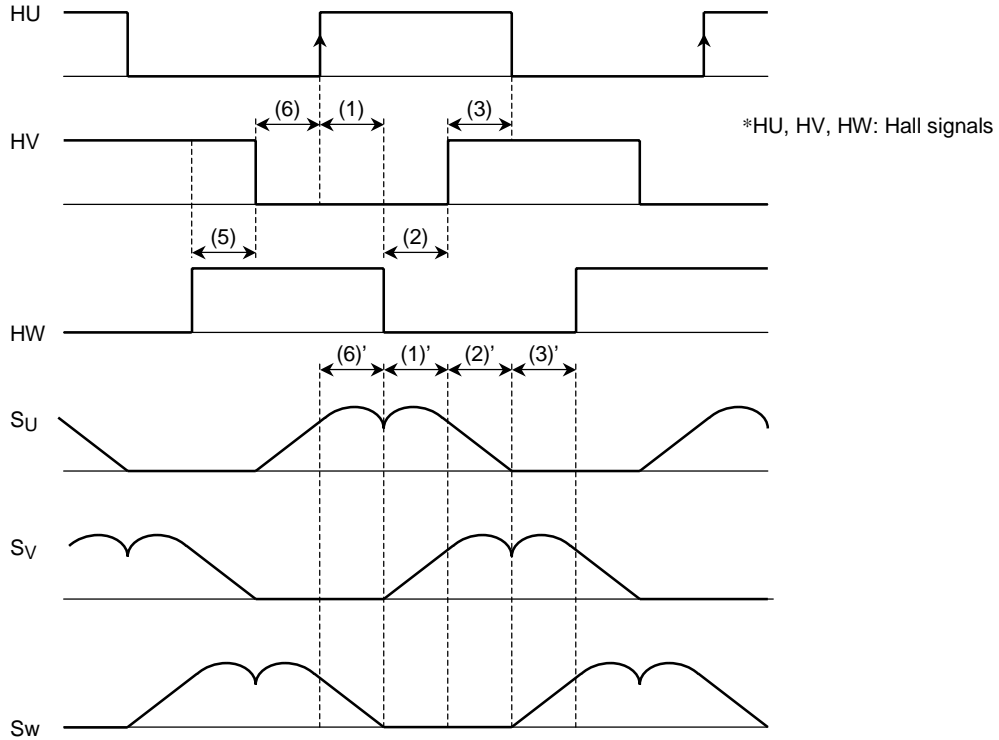
Note: Output ON time is decreased by the dead time.  
 $(\text{carrier frequency} \times 92\% - T_d \times 2)$



The modulation waveform is generated using Hall signals. Then, the modulation waveform is compared with the triangular wave and a sine-wave PWM signal is generated.

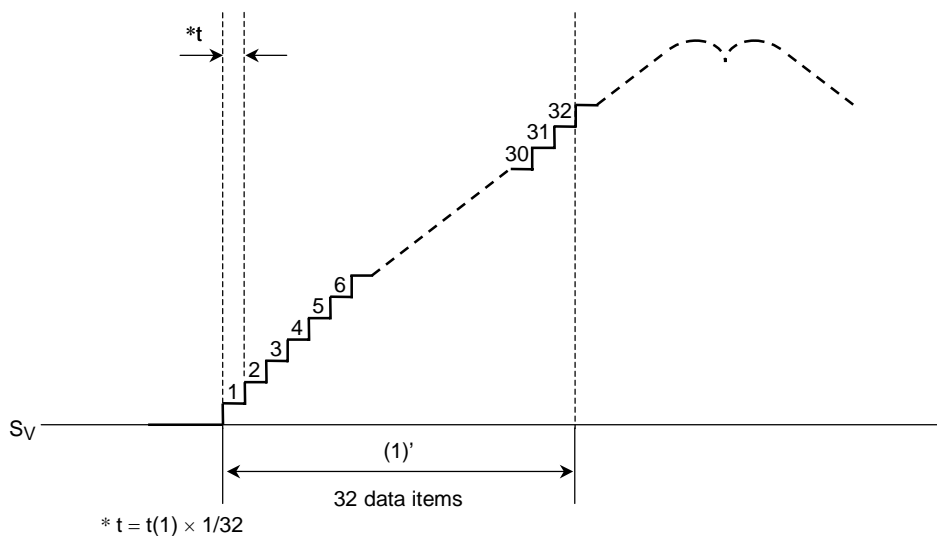
The time (electrical angle: 60°) from the rising (or falling) edges of the three Hall signals to the next rising (or falling) edges are counted. The counted time is used as the data for the next 60° phase of the modulation waveform.

There are 32 items of data for the 60° phase of the modulation waveform. The time width of one data item is 1/32 of the time width of the 60° phase of the previous modulation waveform. The modulation waveform moves forward by the width.



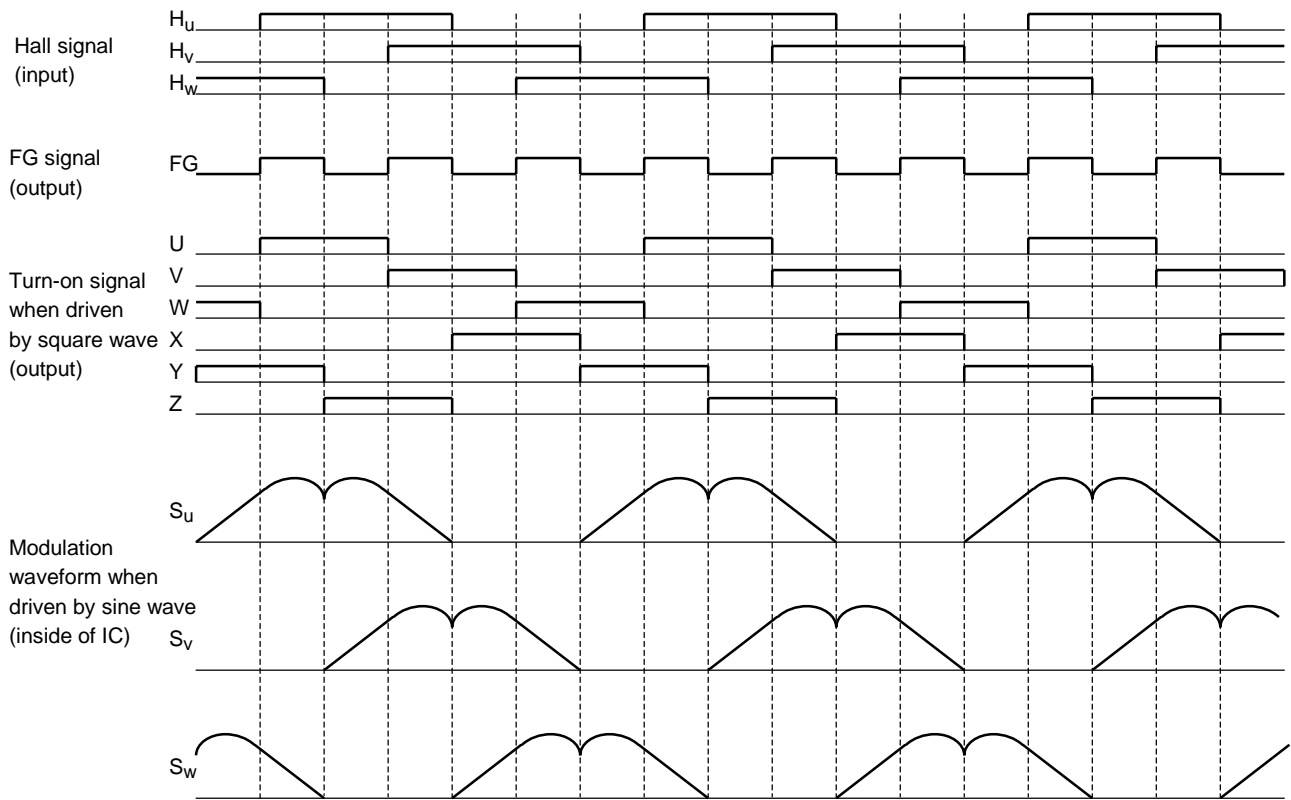
In the above diagram, the modulation waveform (1)' data moves forward by the 1/32 time width of the time (1) from HU: ↑ to HW: ↓. Similarly, data (2)' moves forward by the 1/32 time width of the time (2) from HW: ↓ to HV: ↑.

If the next edge does not occur after the 32 data items end, the next 32 data items move forward by the same time width until the next edge occurs.

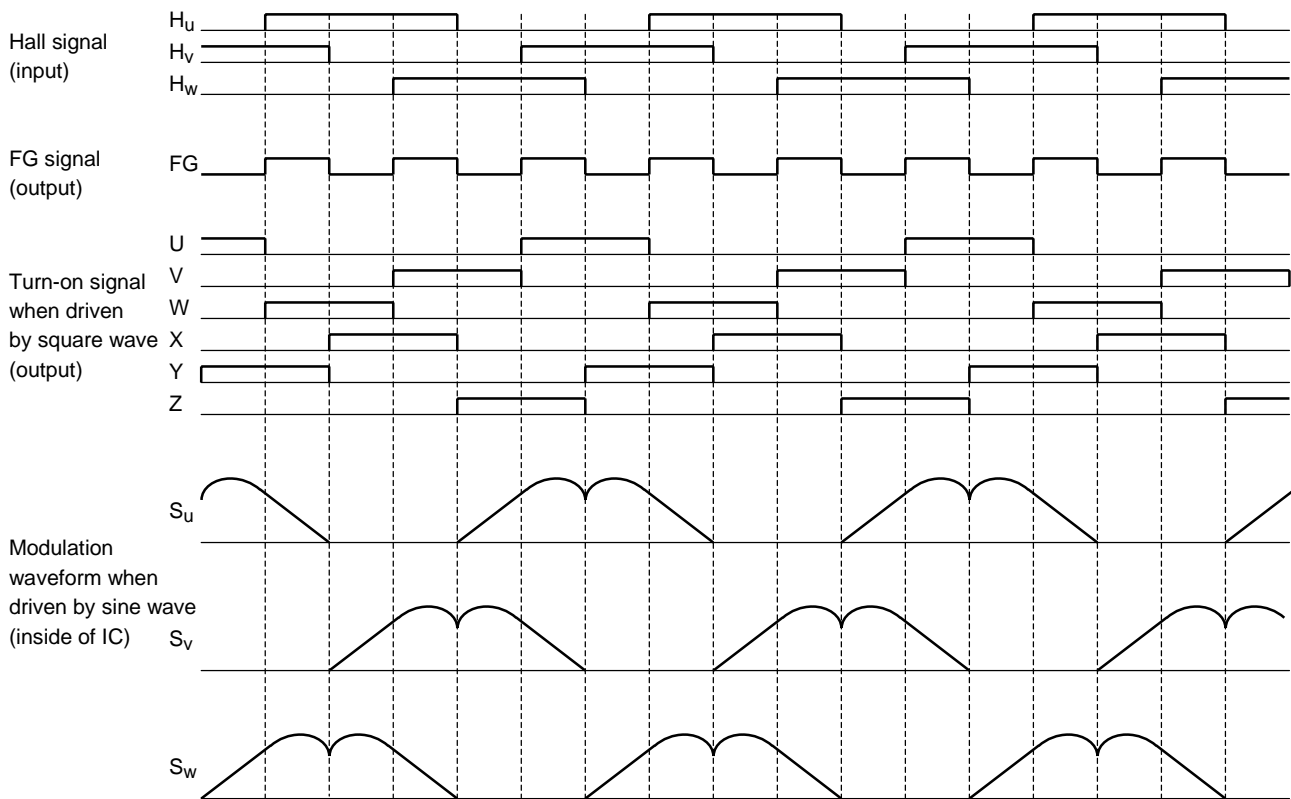


The phases are matched between every rising edge of the HU signal and the modulation waveform. The modulation waveform is reset in sync with the rising edge of the HU signal at every electrical angle of 360°. Thus, when the Hall signal rising edge is mispositioned or at acceleration/deceleration, the modulation waveform is non-consecutive at every reset.

**Timing Charts**



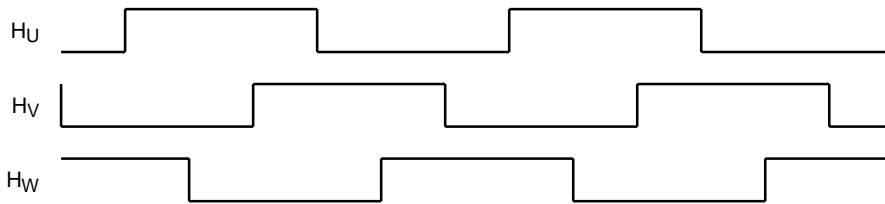
Forward



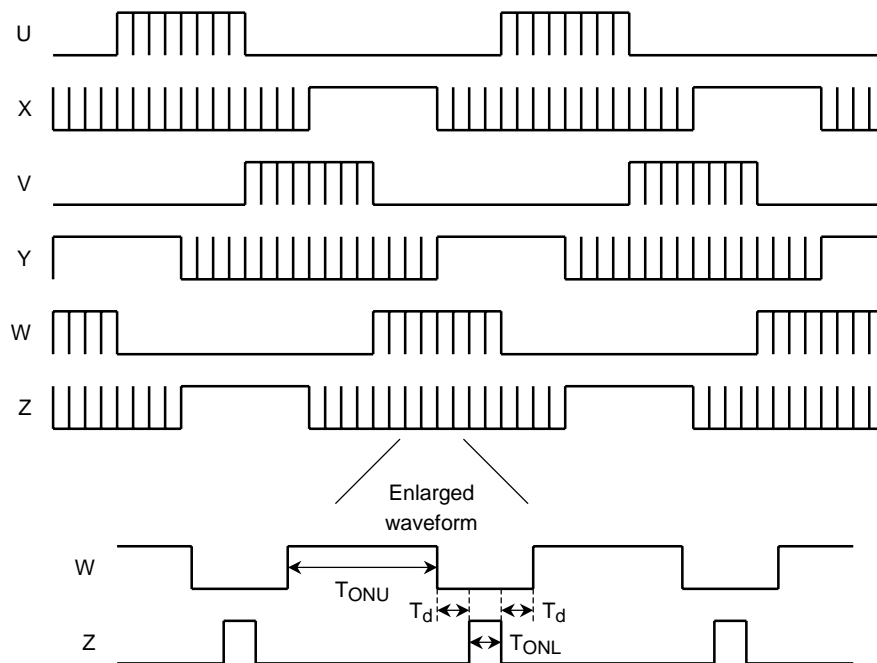
Reverse

## Operating Waveform When Driven by Square Wave (CW/CCW = Low, OS = High)

Hall signal



Output waveform



To stabilize the bootstrap voltage, the lower outputs (X, Y, and Z) are always turned on at the carrier cycle even during off time. At that time, the upper outputs (U, V, and W) are assigned dead time and turned off at the timing when the lower outputs are turned on. ( $T_d$  varies with input  $V_e$ )

$$\text{Carrier cycle} = f_{osc}/252 \text{ (Hz)}$$

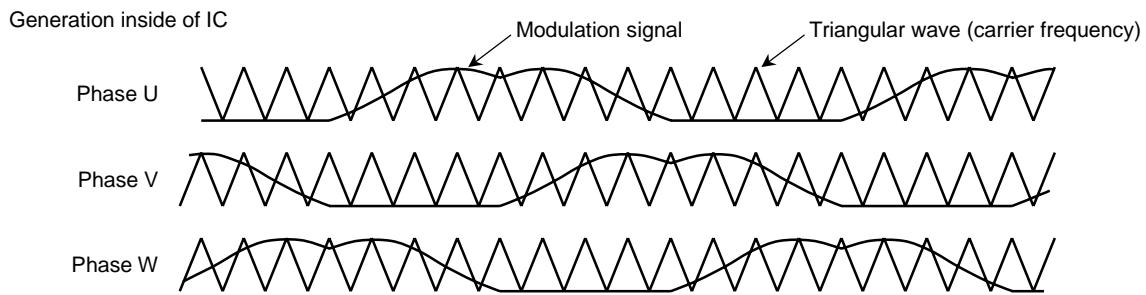
$$\text{Dead time: } T_d = 16/f_{osc} \text{ (s) (In more than } V_e = 4.6 \text{ V)}$$

$$T_{ONL} = \text{carrier cycle} \times 8\% \text{ (s) (Uniformity)}$$

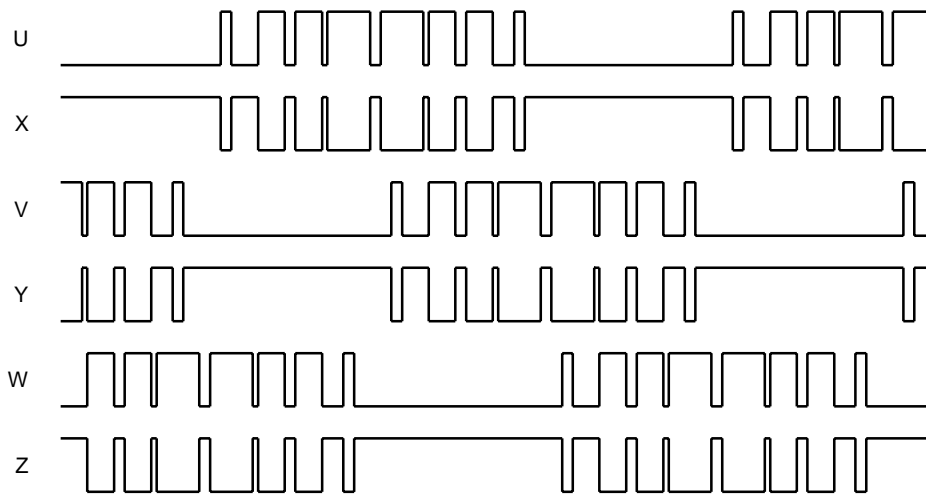
When the motor is driven by a square wave, acceleration/deceleration is determined by voltage  $V_e$ . The motor accelerates/decelerates according to the On duty of  $T_{ONU}$  (see the diagram of output On duty on page 11).

Note: At startup, the motor is driven by a square wave when the Hall signals are 5 Hz or lower ( $f_{osc} = 4 \text{ MHz}$ ) and the motor is rotating in the reverse direction as the TB651F controls it (REV = High).

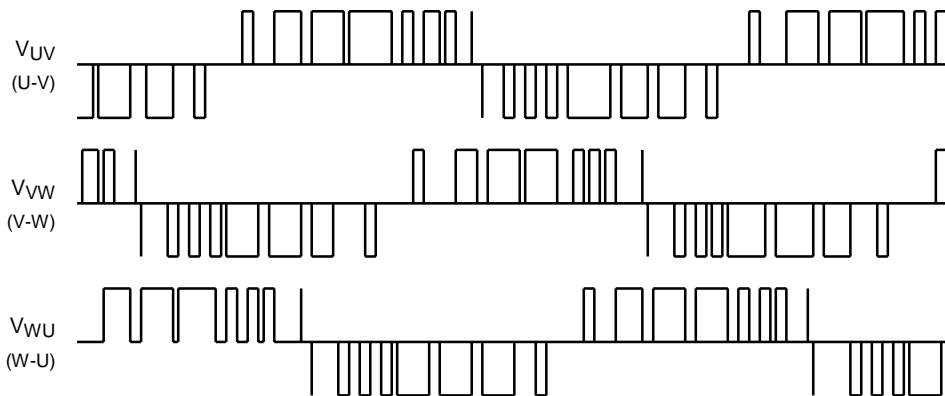
## Operating Waveform When Driven by Sine-Wave PWM (CW/CCW = Low, OS = High)



Output waveform



Inter-line voltage

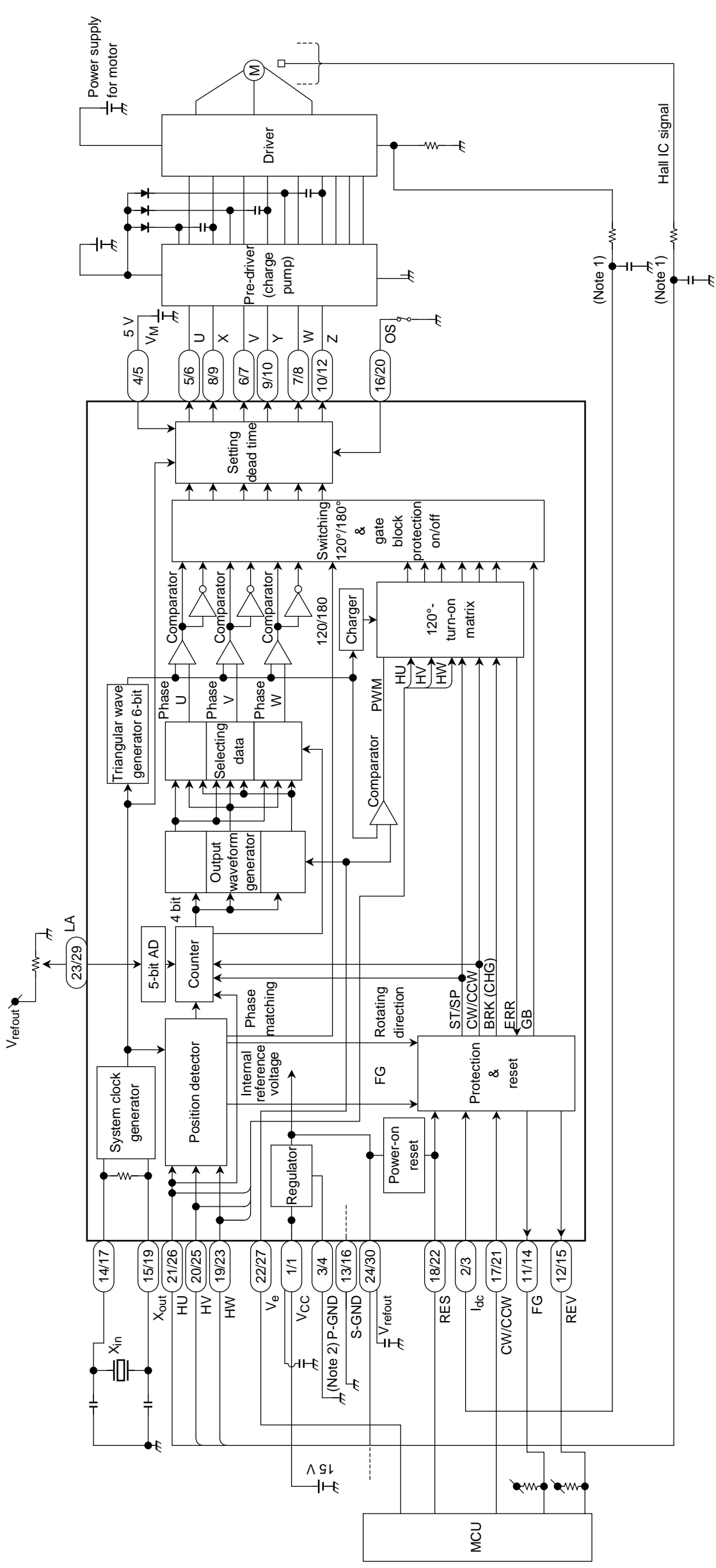


When the motor is driven by a sine wave, the motor is accelerated/decelerated according to the On duty of TONU when the amplitude of the modulation symbol changes by voltage  $V_e$  (see the diagram of output On duty on page 11).

$$\text{Triangular wave frequency} = \text{carrier frequency} = f_{osc}/252 \text{ (Hz)}$$

Note: At startup, the motor is driven by a sine wave when the Hall signals are 5 Hz or higher ( $f_{osc} = 4 \text{ MHz}$ ) and the motor is rotating in the same direction as the TB651F controls it (REV = Low).

**Example of Application Circuit**



※ The pin numbers shown above are for the TB6539N/TB6539F

Note 1: For preventing the IC from misoperation caused by noise for example connect to ground as required.

Note 2: Connect P-GND to signal ground on an application circuit.

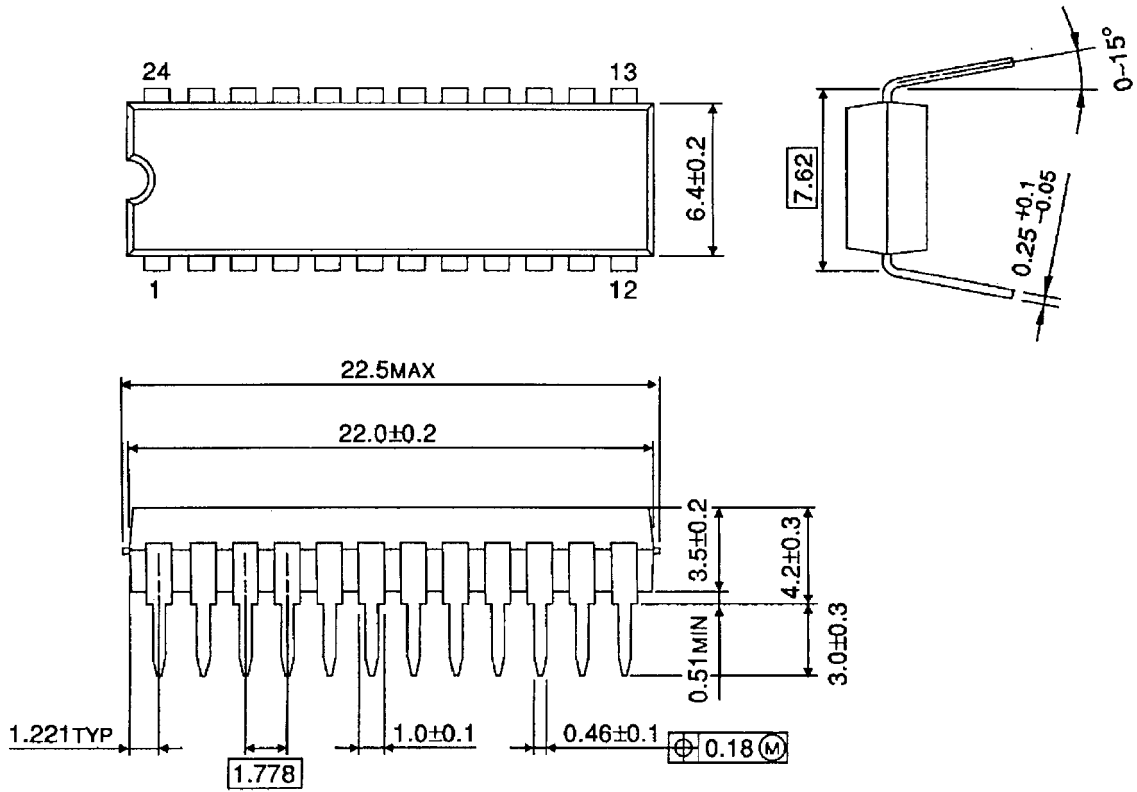
Note 3: The IC may be destroyed by short-circuiting outputs, or connecting outputs to the supply or ground. Thus, take great care when designing output lines,  $V_{CC}$ ,  $V_M$ , and  $GND$  lines. Also be careful not to insert the IC in the wrong direction because this could destroy the IC.



## Package Dimensions

SDIP24-P-300-1.78

Unit : mm

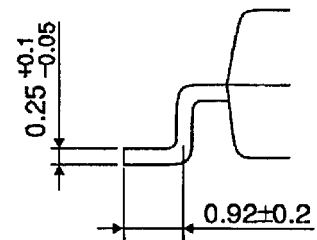
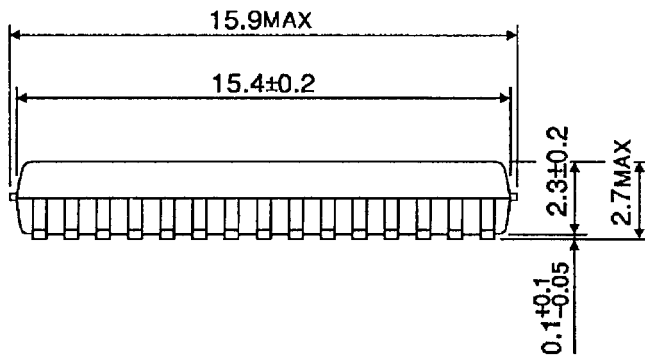
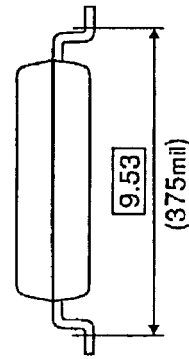
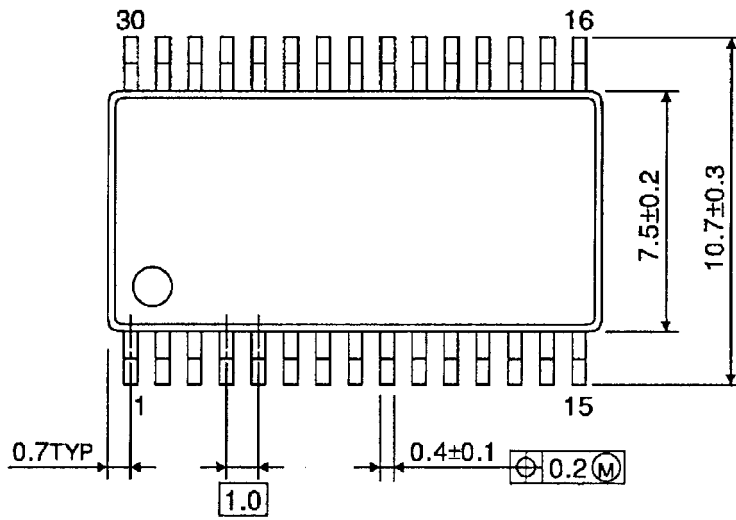


Weight: 1.62 g (typ.)

**Package Dimensions**

SSOP30-P-375-1.00

Unit : mm



Weight: 0.63 g (typ.)

**RESTRICTIONS ON PRODUCT USE**

000707EBA

- TOSHIBA is continually working to improve the quality and reliability of its products. Nevertheless, semiconductor devices in general can malfunction or fail due to their inherent electrical sensitivity and vulnerability to physical stress. It is the responsibility of the buyer, when utilizing TOSHIBA products, to comply with the standards of safety in making a safe design for the entire system, and to avoid situations in which a malfunction or failure of such TOSHIBA products could cause loss of human life, bodily injury or damage to property.  
In developing your designs, please ensure that TOSHIBA products are used within specified operating ranges as set forth in the most recent TOSHIBA products specifications. Also, please keep in mind the precautions and conditions set forth in the "Handling Guide for Semiconductor Devices," or "TOSHIBA Semiconductor Reliability Handbook" etc..
- The TOSHIBA products listed in this document are intended for usage in general electronics applications (computer, personal equipment, office equipment, measuring equipment, industrial robotics, domestic appliances, etc.). These TOSHIBA products are neither intended nor warranted for usage in equipment that requires extraordinarily high quality and/or reliability or a malfunction or failure of which may cause loss of human life or bodily injury ("Unintended Usage"). Unintended Usage include atomic energy control instruments, airplane or spaceship instruments, transportation instruments, traffic signal instruments, combustion control instruments, medical instruments, all types of safety devices, etc.. Unintended Usage of TOSHIBA products listed in this document shall be made at the customer's own risk.
- The products described in this document are subject to the foreign exchange and foreign trade laws.
- The information contained herein is presented only as a guide for the applications of our products. No responsibility is assumed by TOSHIBA CORPORATION for any infringements of intellectual property or other rights of the third parties which may result from its use. No license is granted by implication or otherwise under any intellectual property or other rights of TOSHIBA CORPORATION or others.
- The information contained herein is subject to change without notice.