

POWER CMOS DRIVERS WITH VOLTAGE TRIPLER

FEATURES

- Power driver with on Board Voltage Booster
- Low I_{DD} < 4mA
- Small Package 8-Pin PDIP
- Under-Voltage Circuitry
- Fast Rise-Fall Time < 40nsec @ 1000pF
- Below-Rail Input Protection

APPLICATIONS

- Raises 5V to drive higher-V_{gs} (ON) MOSFETs
- Eliminates one system power supply

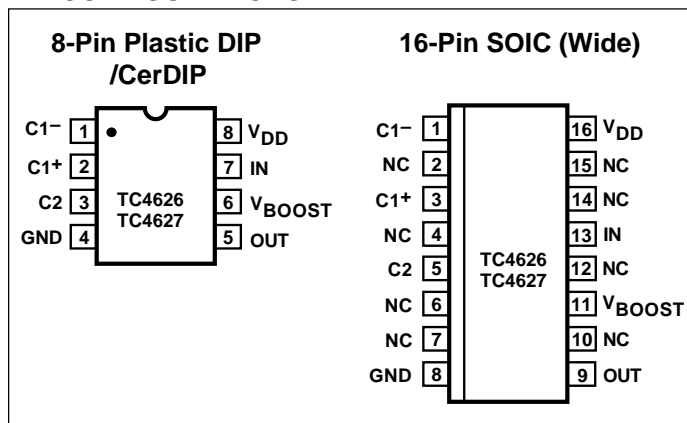
GENERAL DESCRIPTION

The TC4626/4627 are single CMOS high speed drivers with an on-board voltage boost circuit. These parts work with an input supply voltage from 4 to 6 volts. The internal voltage booster will produce a V_{BOOST} potential up to 12 volts above V_{IN} . This V_{BOOST} is not regulated, so its voltage is dependent on the input V_{DD} voltage and output drive loading requirements. An internal undervoltage lockout circuit keeps the output in a low state when V_{BOOST} drops below 7.8 volts. Output is enabled when V_{BOOST} is above 11.3 volts.

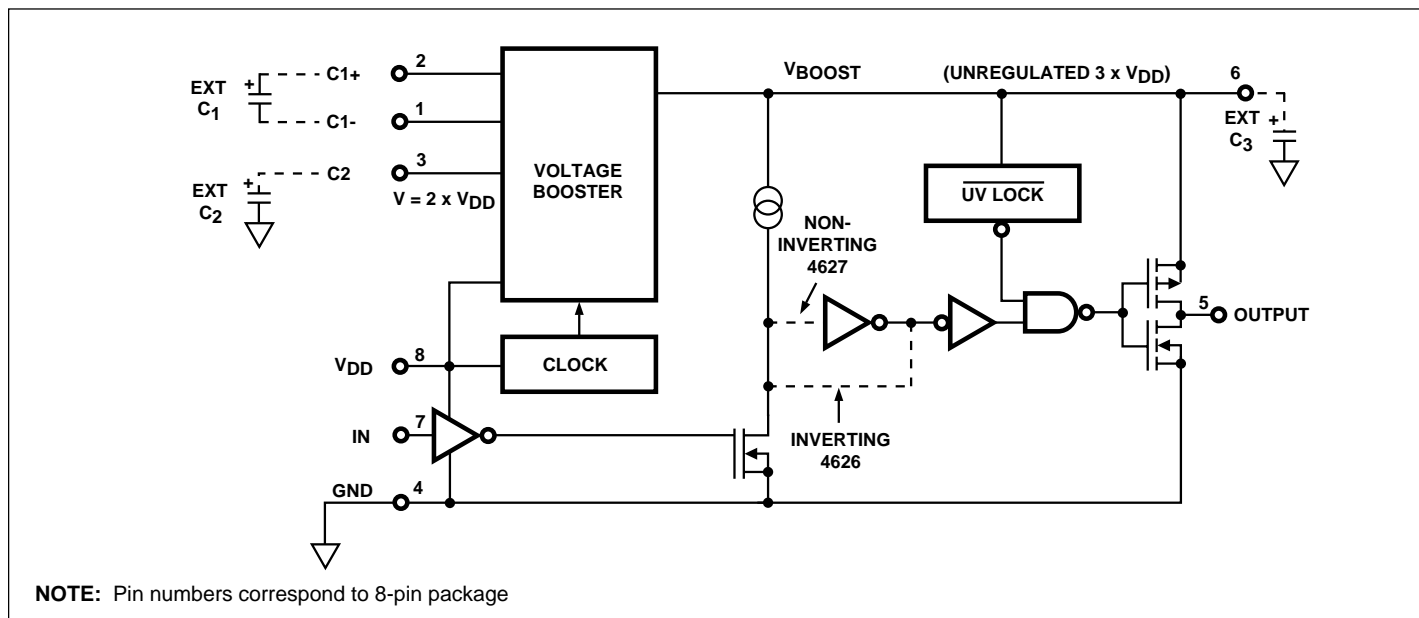
ORDERING INFORMATION

Part No.	Package	Temp. Range
TC4626COE	16-Pin SOIC (Wide)	- 55°C to +125°C
TC4626CPA	8-Pin Plastic DIP	- 40°C to +85°C
TC4626EOE	16-Pin SOIC (Wide)	- 40°C to +85°C
TC4626EPA	8-Pin Plastic DIP	- 0°C to +70°C
TC4626MJA	8-Pin CerDIP	- 0°C to +70°C
TC4627COE	16-Pin SOIC (Wide)	- 55°C to +125°C
TC4627CPA	8-Pin Plastic DIP	- 40°C to +85°C
TC4627EOE	16-Pin SOIC (Wide)	- 40°C to +85°C
TC4627EPA	8-Pin Plastic DIP	- 0°C to +70°C
TC4627MJA	8-Pin CerDIP	- 0°C to +70°C

PIN CONFIGURATIONS



FUNCTIONAL BLOCK DIAGRAM



POWER CMOS DRIVERS WITH VOLTAGE TRIPLER

TC4626 TC4627

ABSOLUTE MAXIMUM RATINGS

Package Power Dissipation ($T_A \leq 70^\circ\text{C}$)	
PDIP	730mW
CerDIP	800mW
SOIC	760mW
Derating Factor	
PDIP	5.6 mW/ $^\circ\text{C}$ Above 36°C
CerDIP	6.0 mW/ $^\circ\text{C}$

Supply Voltage	6.2V
Input Voltage, Any Terminal	$V_S + 0.3\text{V}$ to GND $- 0.3\text{V}$
Operating Temperature	M Version
- 55°C to $+125^\circ\text{C}$	
E Version	- 40°C to $+85^\circ\text{C}$
C Version	0°C to $+70^\circ\text{C}$
Maximum Chip Temperature	$+150^\circ\text{C}$
Storage Temperature	- 65°C to $+150^\circ\text{C}$
Lead Temperature (10 sec)	$+300^\circ\text{C}$

ELECTRICAL CHARACTERISTICS: $T_A = 25^\circ\text{C}$ $V_{DD} = 5\text{V}$ $C_1 = C_2 = C_3 = 10\mu\text{F}$ unless otherwise specified.

Symbol	Parameter	Test Conditions	Min	Typ	Max	Unit
Driver Input						
V_{IH}	Logic 1, Input Voltage		2.4	—	—	V
V_{IL}	Logic 0, Input Voltage		—	—	0.8	V
I_{IN}	Input Current	$0\text{V} \leq V_{IN} \leq V_{DRIVE}$	-1	—	1	μA
Driver Output						
V_{OH}	High Output Voltage		$V_{BOOST} - 0.025$	—	—	V
V_{OL}	Low Output Voltage		—	—	0.025	V
R_O	Output Resistance, High	$I_{OUT} = 10\text{mA}$, $V_{DD} = 5\text{V}$	—	10	15	Ω
R_O	Output Resistance, Low	$I_{OUT} = 10\text{mA}$, $V_{DD} = 5\text{V}$	—	8	10	Ω
I_{PK}	Peak Output Current		—	1.5	—	A
Switching Time						
t_R	Rise Time	Test Figure 1,2	—	33	40	nsec
t_F	Fall Time	Test Figure 1,2	—	27	35	nsec
t_{D1}	Delay Time	Test Figure 1,2	—	35	45	nsec
t_{D2}	Delay Time	Test Figure 1,2	—	45	55	nsec
F_{MAX}	Maximum Switching Frequency	Test Figure 1 $V_{DD} = 5\text{V}$, $V_{BOOST} > 8.5\text{V}$	1.0	—	—	MHz
Voltage Booster						
R_3	Voltage Tripler Output Source Resistance	$I_L = 10\text{mA}$, $V_{DD} = 5\text{V}$	—	300	400	Ω
R_2	Voltage Doubler Output Source Resistance		—	120	200	Ω
F_{OSC}	Oscillator Frequency		12	—	28	kHz
V_{OSC}	Oscillator Amplitude Measured at C1-	$R_{LOAD} = 10\text{k}\Omega$	4.5	—	10	V
UV @ V_{BOOST}	Undervoltage Threshold		7.0	7.8	8.5	V
V_{START} @ V_{BOOST}	Start Up Voltage		10.5	11.3	12	V
V_{BOOST}	@ $V_{DD} = 5\text{V}$	No Load	14.6	—	—	V
Power Supply						
I_{DD}	Power Supply Current	$V_{IN} = \text{LOW or HIGH}$	—	—	2.5	mA
V_{DD}	Supply Voltage		4.0	—	6.0	V

POWER CMOS DRIVERS WITH VOLTAGE TRIPLER

TC4626
TC4627

ELECTRICAL CHARACTERISTICS: T_A = Over Operating Temperature Range $V_{DD} = 5V$ $C_1 = C_2 = C_3 = 10\mu F$ unless otherwise specified.

Symbol	Parameter	Test Conditions	Min	Typ	Max	Unit
Driver Input						
V_{IH}	Logic 1, Input Voltage		2.4	—	—	V
V_{IL}	Logic 0, Input Voltage		—	—	0.8	V
I_{IN}	Input Current	$0V \leq V_{IN} \leq V_{BOOST}$	-10	—	10	μA
Driver Output						
V_{OH}	High Output Voltage		$V_{DRIVE} - 0.025$	—	—	V
V_{OL}	Low Output Voltage		—	—	0.025	V
R_O	Output Resistance, High	$I_{OUT} = 10mA, V_{DD} = 5V$ C & E Version ($T_A = 70^\circ C$ or $85^\circ C$) M Version ($T_A = 125^\circ C$)	— —	15 15	20 25	Ω
R_O	Output Resistance, Low	$I_{OUT} = 10mA, V_{DD} = 5V$ C & E Version ($T_A = 70^\circ C$ or $85^\circ C$) M Version ($T_A = 125^\circ C$)	— —	10 10	13 15	Ω
I_{PK}	Peak Output Current		—	1.5	—	A
Switching Time						
t_R	Rise Time	Test Figure 1,2	—	—	55	nsec
t_F	Fall Time	Test Figure 1,2	—	—	50	nsec
t_{D1}	Delay Time	Test Figure 1,2	—	—	60	nsec
t_{D2}	Delay Time	Test Figure 1,2	—	—	70	nsec
F_{MAX}	Maximum Switching Frequency	Test Figure 1	750	—	—	kHz
		$V_{DD} = 5V, V_{Boost} > 8.5V$				
Voltage Booster						
R_3	Voltage Boost Output Source Resistance	$I_L = 10mA, V_{DD} = 5V$	—	400	500	Ω
R_2	Voltage Doubler Output Source Resistance		—	170	300	Ω
F_{OSC}	Oscillator Frequency		5	—	50	kHz
V_{OSC}	Oscillator Amplitude Measured at C1-	$R_{LOAD} = 10k\Omega$	4.5	—	10	V
UV @ V_{BOOST}	Undervoltage Threshold		7.0	7.8	8.5	V
V_{START} @ V_{BOOST}	Start Up Voltage		10.5	11.3	12	V
V_{BOOST} @ $V_{DD} = 5V$		No Load	14.6	—	—	V
Power Supply						
I_{DD}	Power Supply Current	$V_{IN} = LOW$ or $HIGH$	—	—	4	mA
V_{DD}	Supply Voltage		4.0	—	6.0	V

POWER CMOS DRIVERS WITH VOLTAGE TRIPLER

TC4626
TC4627

SWITCHING TIME TEST CIRCUITS

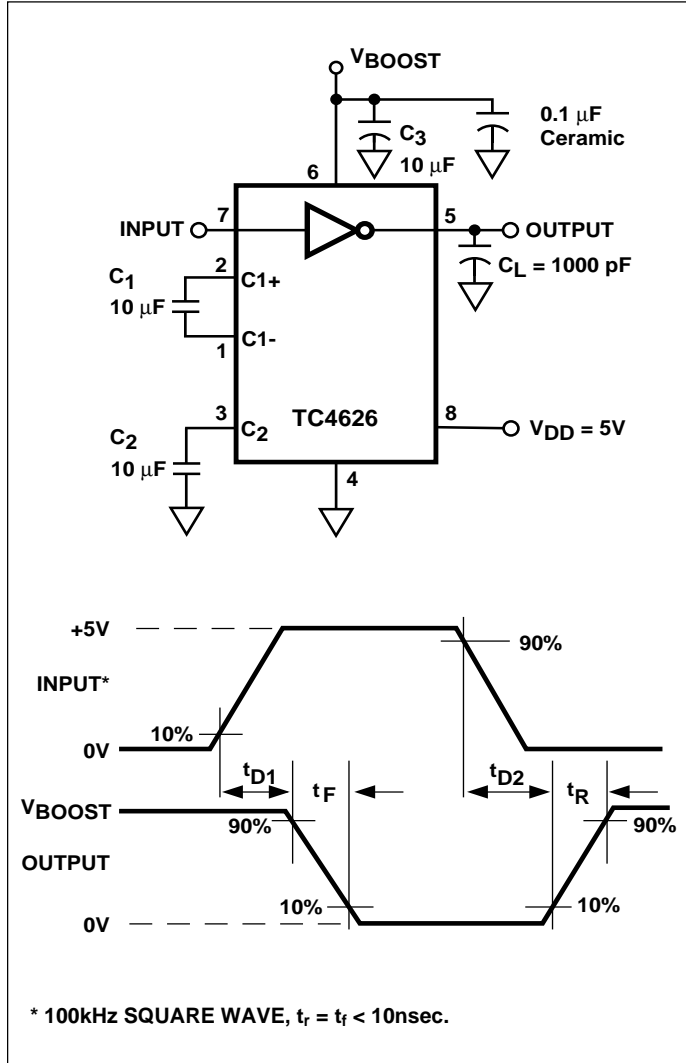


Figure 1. Inverting Driver Switching Time

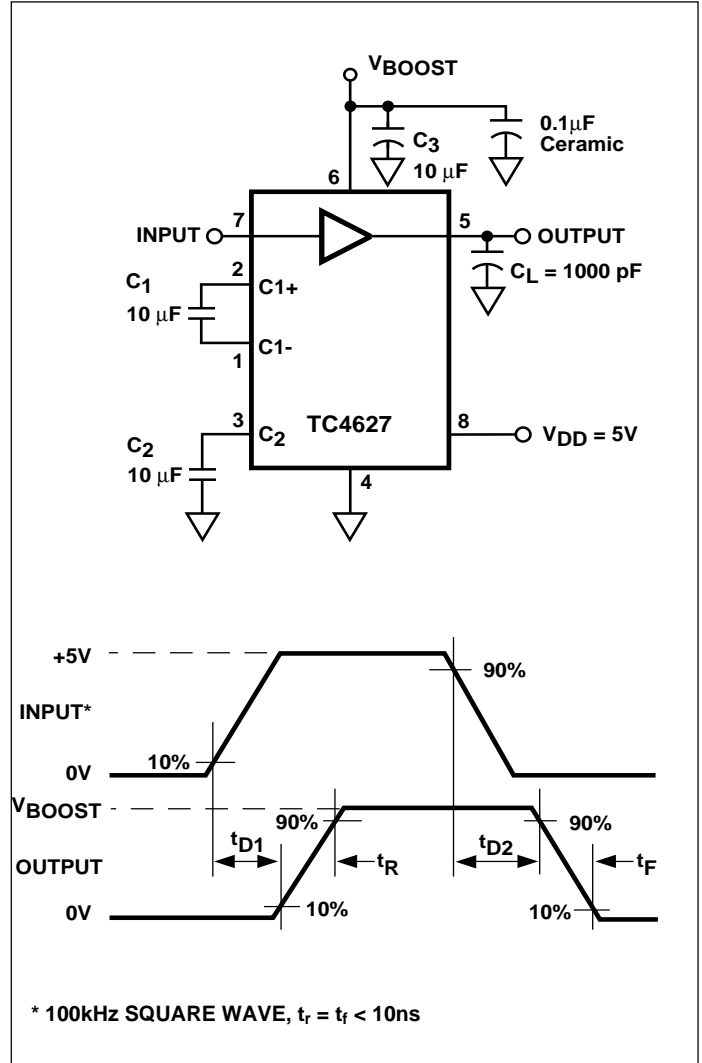
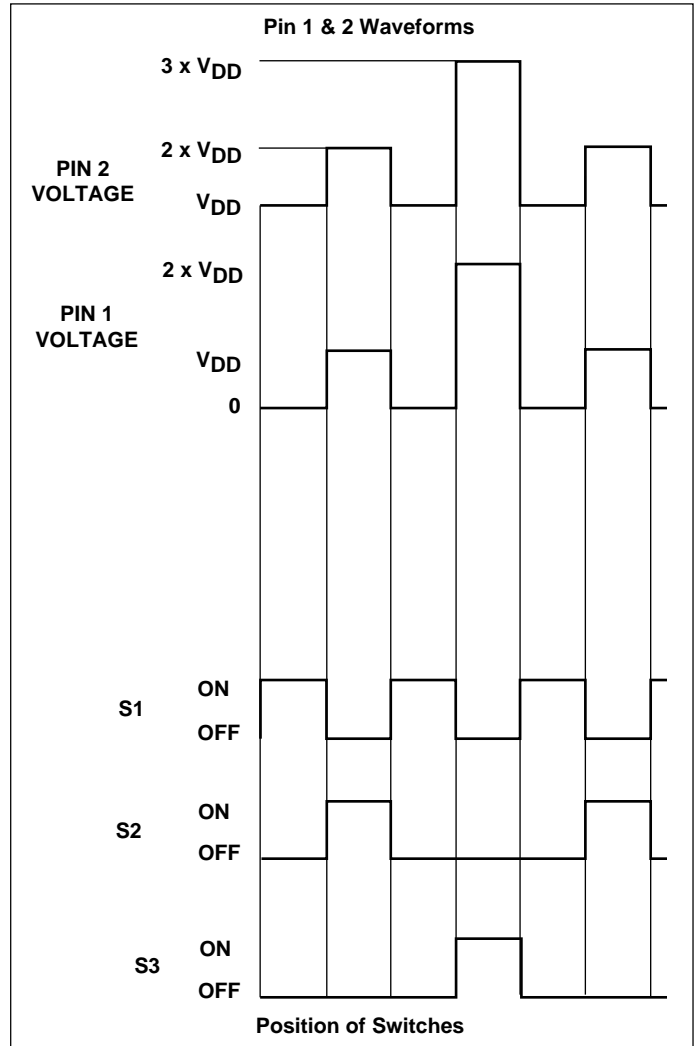
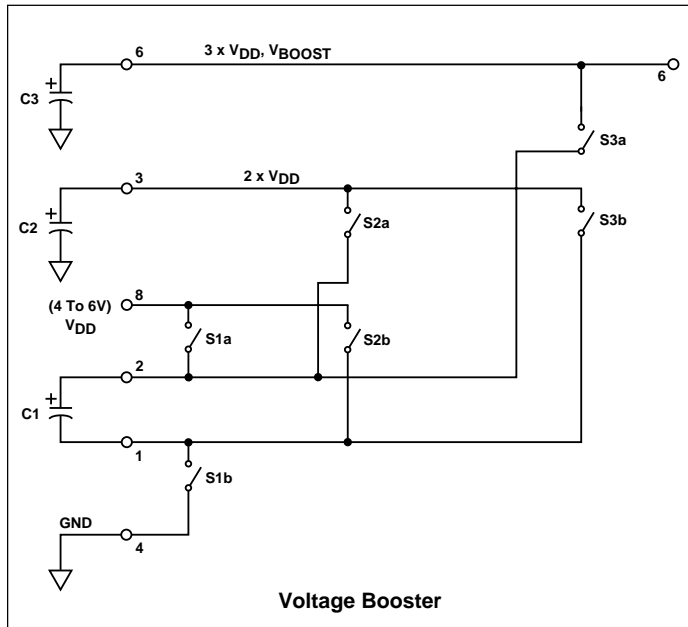


Figure 2. Non-Inverting Driver Switching Time

BOOSTER FUNCTION

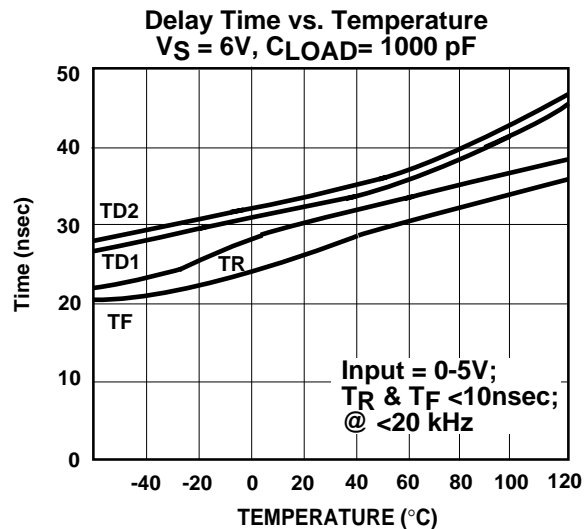
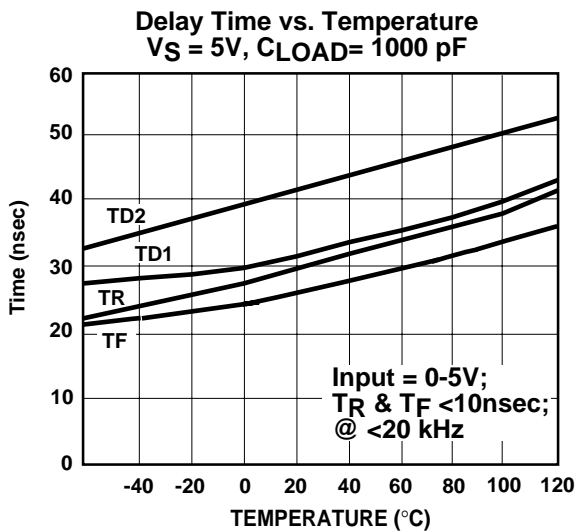
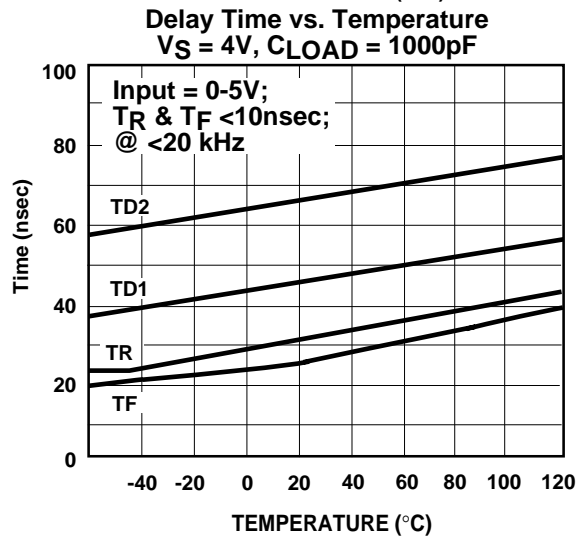
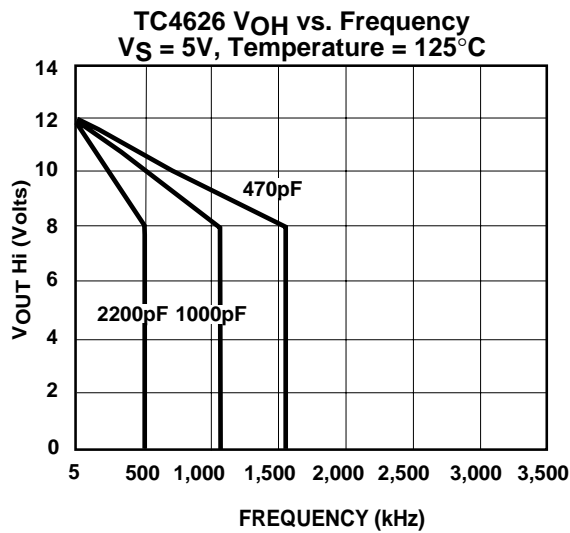
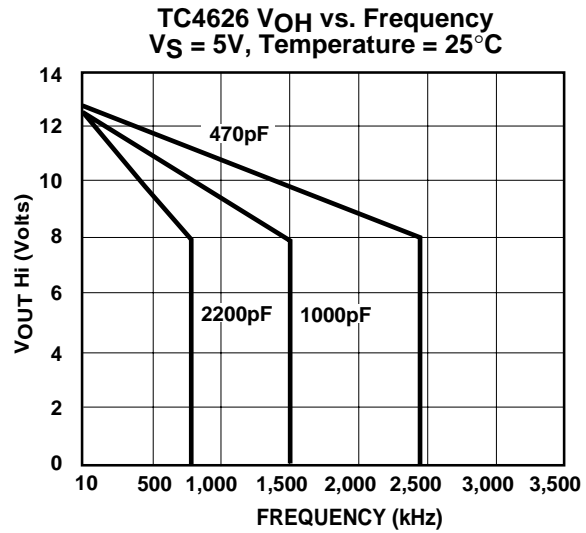
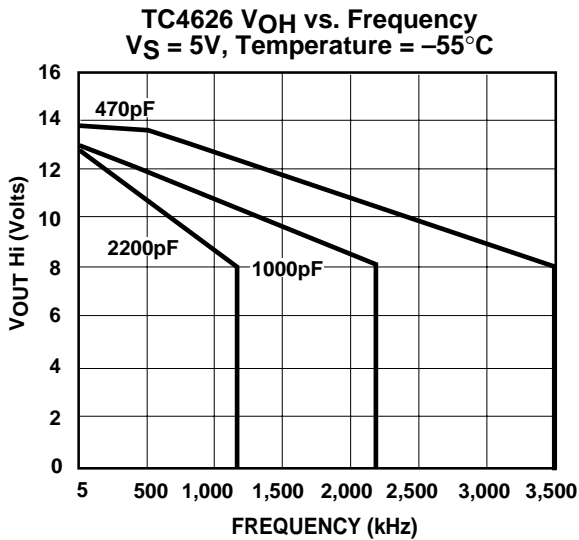
The voltage booster is an unregulated voltage tripler circuit. The tripler consists of three sets of internal switches and three external capacitors. S1a and S1b charge capacitor C1 to V_{DD} potential. S2a and S2b add C1 potential to V_{DD} input to charge C2 to $2 \times V_{DD}$. S3a and S3b add C1 potential to C2 to charge C3 to $3 \times V_{DD}$. The position of the switches is controlled by the internal 4 phase clock.



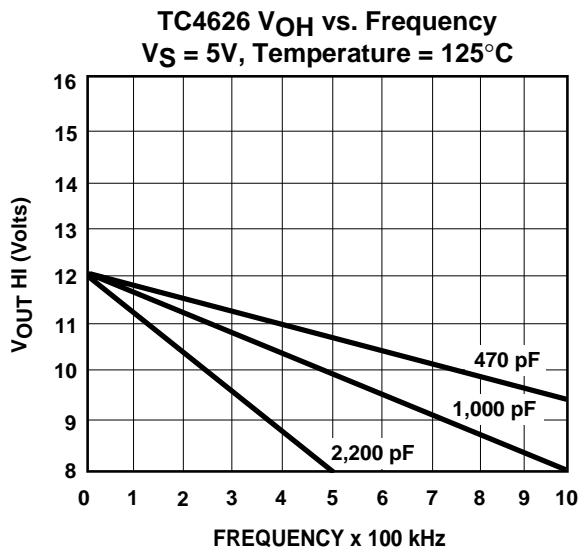
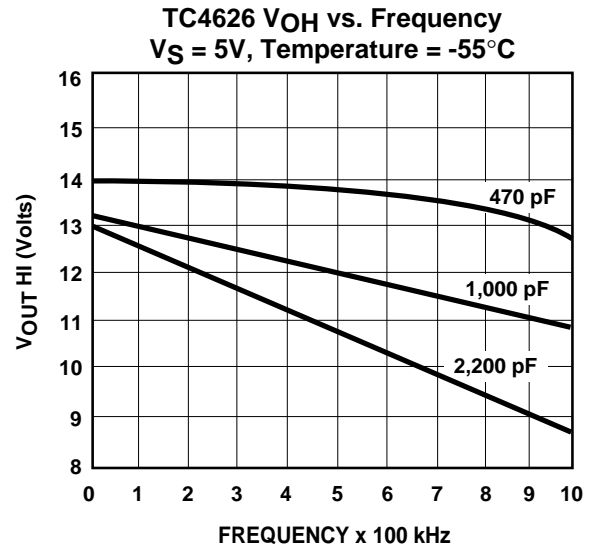
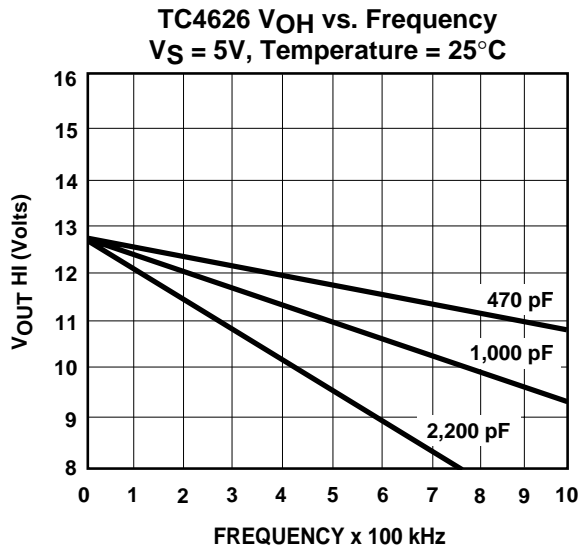
POWER CMOS DRIVERS WITH VOLTAGE TRIPLER

TC4626
TC4627

TYPICAL CHARACTERISTICS



TYPICAL CHARACTERISTICS (Cont.)

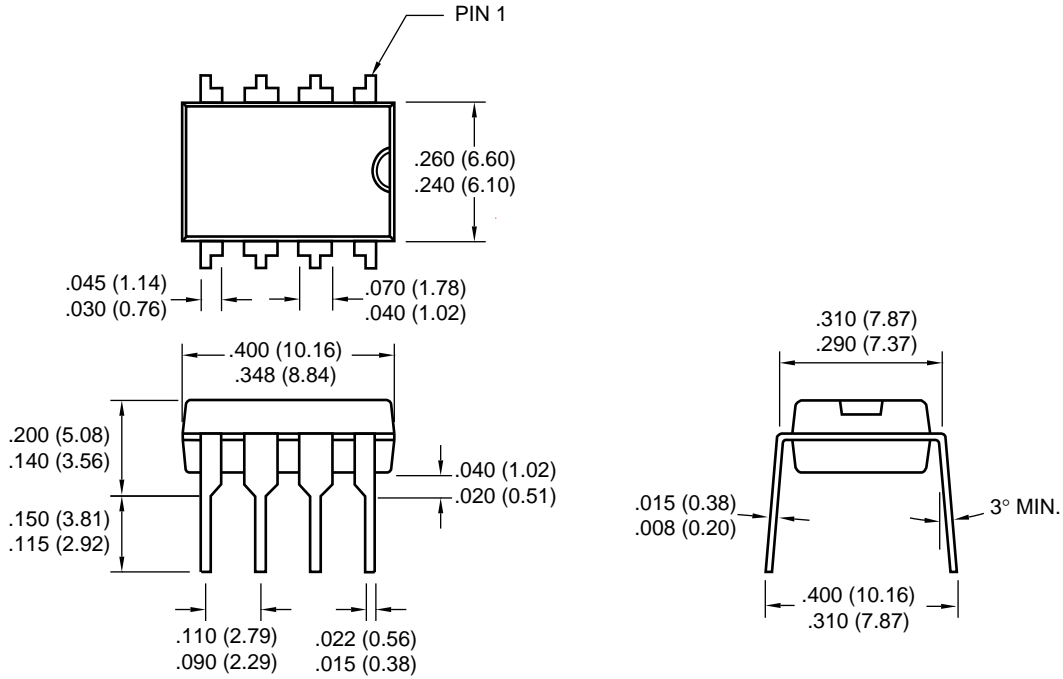


POWER CMOS DRIVERS WITH VOLTAGE TRIPLER

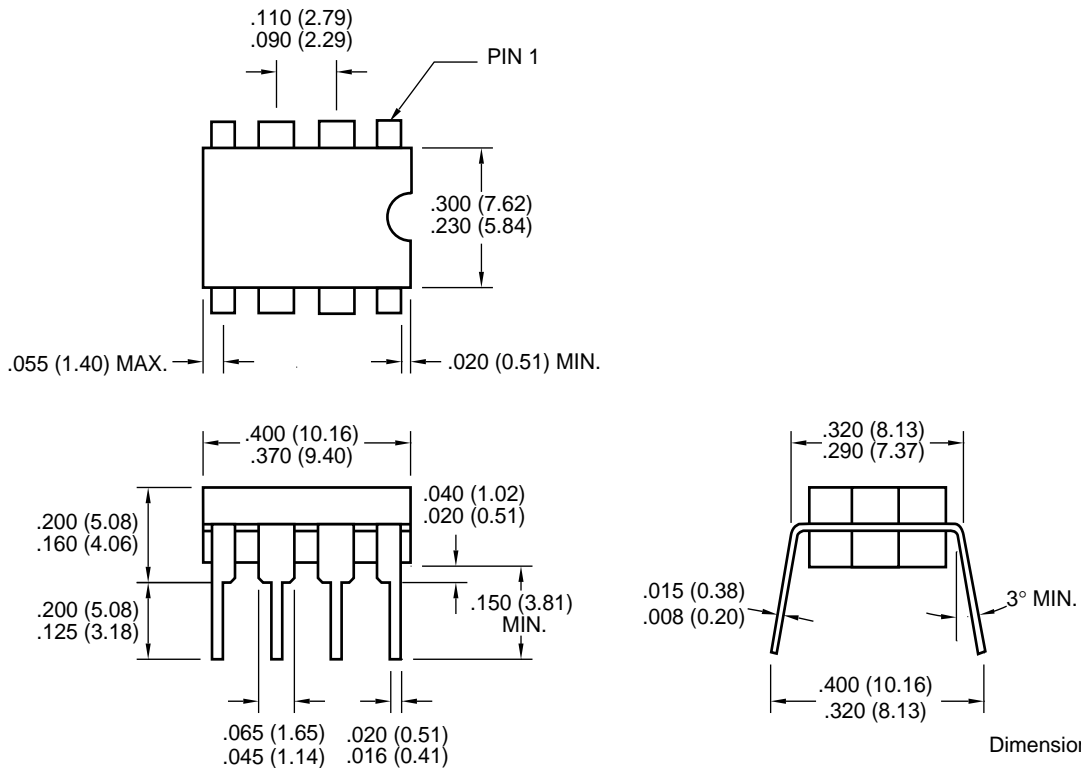
TC4626
TC4627

PACKAGE DIMENSIONS

8-Pin Plastic DIP



8-Pin CerDIP

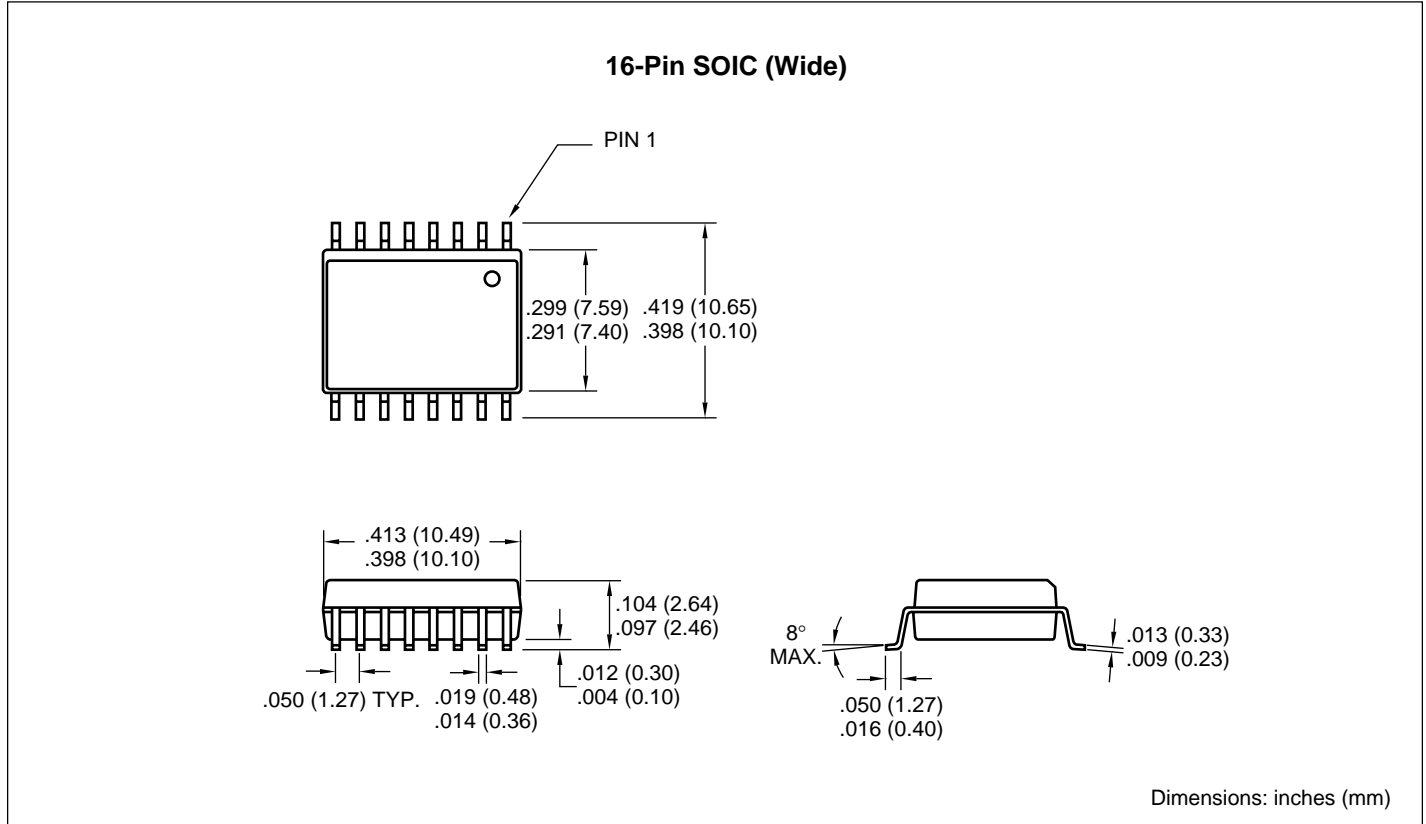


Dimensions: inches (mm)

POWER CMOS DRIVERS WITH VOLTAGE TRIPLER

TC4626
TC4627

PACKAGE DIMENSIONS (Cont.)





WORLDWIDE SALES AND SERVICE

AMERICAS

Corporate Office

2355 West Chandler Blvd.
Chandler, AZ 85224-6199
Tel: 480-792-7200 Fax: 480-792-7277
Technical Support: 480-792-7627
Web Address: <http://www.microchip.com>

Rocky Mountain

2355 West Chandler Blvd.
Chandler, AZ 85224-6199
Tel: 480-792-7966 Fax: 480-792-7456

Atlanta

500 Sugar Mill Road, Suite 200B
Atlanta, GA 30350
Tel: 770-640-0034 Fax: 770-640-0307

Austin

Analog Product Sales
8303 MoPac Expressway North
Suite A-201
Austin, TX 78759
Tel: 512-345-2030 Fax: 512-345-6085

Boston

2 Lan Drive, Suite 120
Westford, MA 01886
Tel: 978-692-3848 Fax: 978-692-3821

Boston

Analog Product Sales
Unit A-8-1 Millbrook Tarry Condominium
97 Lowell Road
Concord, MA 01742
Tel: 978-371-6400 Fax: 978-371-0050

Chicago

333 Pierce Road, Suite 180
Itasca, IL 60143
Tel: 630-285-0071 Fax: 630-285-0075

Dallas

4570 Westgrove Drive, Suite 160
Addison, TX 75001
Tel: 972-818-7423 Fax: 972-818-2924

Dayton

Two Prestige Place, Suite 210
Miamisburg, OH 45342
Tel: 937-291-1654 Fax: 937-291-9175

Detroit

Tri-Atria Office Building
32255 Northwestern Highway, Suite 190
Farmington Hills, MI 48334
Tel: 248-538-2250 Fax: 248-538-2260

Los Angeles

18201 Von Karman, Suite 1090
Irvine, CA 92612
Tel: 949-263-1888 Fax: 949-263-1338

Mountain View

Analog Product Sales
1300 Terra Bella Avenue
Mountain View, CA 94043-1836
Tel: 650-968-9241 Fax: 650-967-1590

New York

150 Motor Parkway, Suite 202
Hauppauge, NY 11788
Tel: 631-273-5305 Fax: 631-273-5335

San Jose

Microchip Technology Inc.
2107 North First Street, Suite 590
San Jose, CA 95131
Tel: 408-436-7950 Fax: 408-436-7955

Toronto

6285 Northam Drive, Suite 108
Mississauga, Ontario L4V 1X5, Canada
Tel: 905-673-0699 Fax: 905-673-6509

ASIA/PACIFIC

China - Beijing

Microchip Technology Beijing Office
Unit 915
New China Hong Kong Manhattan Bldg.
No. 6 Chaoyangmen Beidajie
Beijing, 100027, No. China
Tel: 86-10-85282100 Fax: 86-10-85282104

China - Shanghai

Microchip Technology Shanghai Office
Room 701, Bldg. B
Far East International Plaza
No. 317 Xian Xia Road
Shanghai, 200051
Tel: 86-21-6275-5700 Fax: 86-21-6275-5060

Hong Kong

Microchip Asia Pacific
RM 2101, Tower 2, Metroplaza
223 Hing Fong Road
Kwai Fong, N.T., Hong Kong
Tel: 852-2401-1200 Fax: 852-2401-3431

India

Microchip Technology Inc.
India Liaison Office
Divyasree Chambers
1 Floor, Wing A (A3/A4)
No. 11, OShaughnessey Road
Bangalore, 560 025, India
Tel: 91-80-2290061 Fax: 91-80-2290062

Japan

Microchip Technology Intl. Inc.
Benex S-1 6F
3-18-20, Shinyokohama
Kohoku-Ku, Yokohama-shi
Kanagawa, 222-0033, Japan
Tel: 81-45-471-6166 Fax: 81-45-471-6122

Korea

Microchip Technology Korea
168-1, Youngbo Bldg. 3 Floor
Samsung-Dong, Kangnam-Ku
Seoul, Korea
Tel: 82-2-554-7200 Fax: 82-2-558-5934

ASIA/PACIFIC (continued)

Singapore

Microchip Technology Singapore Pte Ltd.
200 Middle Road
#07-02 Prime Centre
Singapore, 188980
Tel: 65-334-8870 Fax: 65-334-8850

Taiwan

Microchip Technology Taiwan
11F-3, No. 207
Tung Hua North Road
Taipei, 105, Taiwan
Tel: 886-2-2717-7175 Fax: 886-2-2545-0139

EUROPE

Australia

Microchip Technology Australia Pty Ltd
Suite 22, 41 Rawson Street
Epping 2121, NSW
Australia
Tel: 61-2-9868-6733 Fax: 61-2-9868-6755

Denmark

Microchip Technology Denmark ApS
Regus Business Centre
Lautrup hof 1-3
Ballerup DK-2750 Denmark
Tel: 45 4420 9895 Fax: 45 4420 9910

France

Arizona Microchip Technology SARL
Parc d'Activite du Moulin de Massy
43 Rue du Saule Trapu
Batiment A - 1er Etage
91300 Massy, France
Tel: 33-1-69-53-63-20 Fax: 33-1-69-30-90-79

Germany

Arizona Microchip Technology GmbH
Gustav-Heinemann Ring 125
D-81739 Munich, Germany
Tel: 49-89-627-144 0 Fax: 49-89-627-144-44

Germany


Analog Product Sales
Lochamer Strasse 13
D-82152 Martinsried, Germany
Tel: 49-89-895650-0 Fax: 49-89-895650-22

Italy

Arizona Microchip Technology SRL
Centro Direzionale Colleoni
Palazzo Taurus 1 V. Le Colleoni 1
20041 Agrate Brianza
Milan, Italy
Tel: 39-039-65791-1 Fax: 39-039-6899883

United Kingdom

Arizona Microchip Technology Ltd.
505 Eskdale Road
Winkersham Triangle
Wokingham
Berkshire, England RG41 5TU
Tel: 44 118 921 5869 Fax: 44-118 921-5820

All rights reserved. © 2001 Microchip Technology Incorporated. Printed in the USA. 1/01  Printed on recycled paper.

01/09/01

Information contained in this publication regarding device applications and the like is intended through suggestion only and may be superseded by updates. It is your responsibility to ensure that your application meets with your specifications. No representation or warranty is given and no liability is assumed by Microchip Technology Incorporated with respect to the accuracy or use of such information, or infringement of patents or other intellectual property rights arising from such use or otherwise. Use of Microchip's products as critical components in life support systems is not authorized except with express written approval by Microchip. No licenses are conveyed, implicitly or otherwise, except as maybe explicitly expressed herein, under any intellectual property rights. The Microchip logo and name are registered trademarks of Microchip Technology Inc. in the U.S.A. and other countries. All rights reserved. All other trademarks mentioned herein are the property of their respective companies.