

**TC74VHCT00AF, TC74VHCT00AFN, TC74VHCT00AFT**

**QUAD 2-INPUT NAND GATE**

The TC74VHCT00A is an advanced high speed CMOS 2-INPUT NAND GATE fabricated with silicon gate C<sup>2</sup>MOS technology.

It achieves the high speed operation similar to equivalent Bipolar Schottky TTL while maintaining the CMOS low power dissipation.

The input voltage are compatible with TTL output voltage. This device may be used as a level converter for interfacing 3.3V to 5V system.

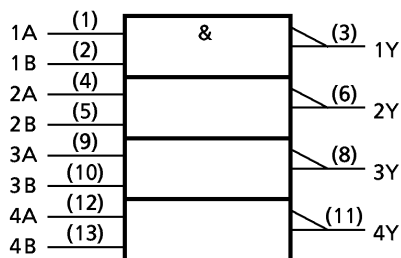
Input protection and output circuit ensure that 0 to 5.5V can be applied to the input and output\*1 pins without regard to the supply voltage. These structure prevents device destruction due to mismatched supply and input/output voltages such as battery back up, hot board insertion, etc.

\*1: V<sub>cc</sub>=0V

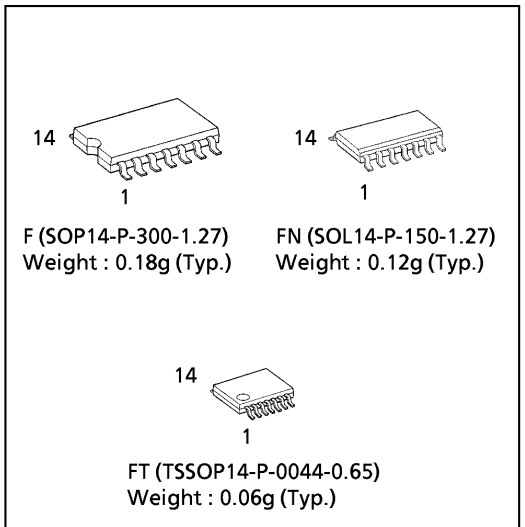
**FEATURES :**

- High Speed.....t<sub>pd</sub> = 5.0ns(typ.) at V<sub>CC</sub> = 5V
- Low Power Dissipation.....I<sub>CC</sub> = 2μA(Max.) at Ta = 25°C
- Compatible with TTL outputs... V<sub>IL</sub> = 0.8V (Max.)  
V<sub>IH</sub> = 2.0V (Min.)
- Power Down Protection is provided on all inputs and outputs.
- Balanced Propagation Delays.....t<sub>pLH</sub> ≈ t<sub>pHL</sub>
- Low Noise .....V<sub>OLP</sub> = 0.8V (Max.)
- Pin and Function Compatible with the 74 series (74AC / HC / F / ALS / LS etc.) 00 type.

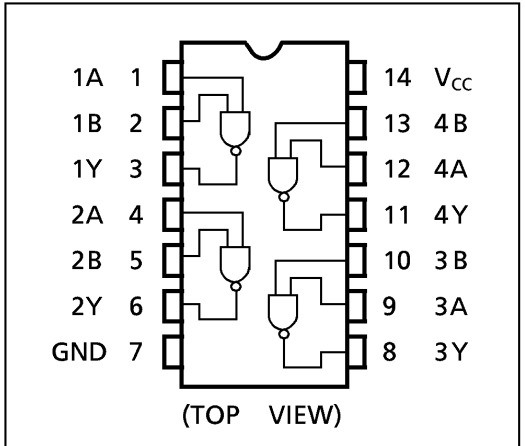
**IEC LOGIC SYMBOL**



(Note) The JEDEC SOP (FN) is not available in Japan.



**PIN ASSIGNMENT**



**TRUTH TABLE**

A	B	Y
L	L	H
L	H	H
H	L	H
H	H	L

**ABSOLUTE MAXIMUM RATINGS**

PARAMETER	SYMBOL	VALUE	UNIT
Supply Voltage Range	$V_{CC}$	-0.5~7.0	V
DC Input Voltage	$V_{IN}$	-0.5~7.0	V
DC Output Voltage	$V_{OUT}$	-0.5~7.0 (Note 1)	V
		-0.5~ $V_{CC} + 0.5$ (Note 2)	
Input Diode Current	$I_{IK}$	-20	mA
Output Diode Current	$I_{OK}$	±20 (Note 3)	mA
DC Output Current	$I_{OUT}$	±25	mA
DC Vcc/Ground Current	$I_{CC}$	±50	mA
Power Dissipation	$P_D$	180	mW
Storage Temperature	$T_{stg}$	-65~150	°C

(Note 1)  $V_{CC} = 0V$

(Note 2) High or Low State.  $I_{OUT}$  absolute maximum rating must be observed.

(Note 3)  $V_{OUT} < GND$ ,  $V_{OUT} > V_{CC}$

**RECOMMENDED OPERATING CONDITIONS**

PARAMETER	SYMBOL	VALUE	UNIT
Supply Voltage	$V_{CC}$	4.5~5.5	V
Input Voltage	$V_{IN}$	0~5.5	V
Output Voltage	$V_{OUT}$	0~5.5 (Note 4)	V
		0~ $V_{CC}$ (Note 5)	
Operating Temperature	$T_{opr}$	-40~85	°C
Input Rise and Fall Time	$dt / dv$	0~20	ns / V

(Note 4)  $V_{CC} = 0V$

(Note 5) High or Low State

## DC ELECTRICAL CHARACTERISTICS

PARAMETER	SYMBOL	CONDITON		V <sub>CC</sub> (V)	Ta = 25°C			Ta = -40~85°C		UNIT
					MIN.	TYP.	MAX.	MIN.	MAX.	
High - Level Input Voltage	V <sub>IH</sub>			4.5~5.5	2.0	—	—	2.0	—	V
Low - Level Input Voltage	V <sub>IL</sub>			4.5~5.5	—	—	0.8	—	0.8	V
High - Level Output Voltage	V <sub>OH</sub>	V <sub>IN</sub> = V <sub>IH</sub> or V <sub>IL</sub>	I <sub>OH</sub> = -50μA	4.5	4.40	4.50	—	4.40	—	V
			I <sub>OH</sub> = -8mA	4.5	3.94	—	—	3.80	—	
Low - Level Output Voltage	V <sub>OL</sub>	V <sub>IN</sub> = V <sub>IH</sub> or V <sub>IL</sub>	I <sub>OL</sub> = 50μA	4.5	—	0.0	0.1	—	0.1	V
			I <sub>OL</sub> = 8mA	4.5	—	—	0.36	—	0.44	
Input Leakage Current	I <sub>IN</sub>	V <sub>IN</sub> = 5.5V or GND		0~5.5	—	—	±0.1	—	±1.0	μA
Quiescent Supply Current	I <sub>CC</sub>	V <sub>IN</sub> = V <sub>CC</sub> or GND		5.5	—	—	2.0	—	20.0	
		I <sub>CCT</sub>	PER INPUT : V <sub>IN</sub> = 3.4V OTHER INPUT : V <sub>CC</sub> or GND		5.5	—	—	1.35	—	1.50
Output Leakage Current	I <sub>OPD</sub>	V <sub>OUT</sub> = 5.5V		0	—	—	0.5	—	5.0	μA

AC ELECTRICAL CHARACTERISTICS (Input  $t_r = t_f = 3ns$ )

PARAMETER	SYMBOL	TEST CONDITION		Ta = 25°C			Ta = -40~85°C		UNIT
		V <sub>CC</sub> (V)	CL (pF)	MIN.	TYP.	MAX.	MIN.	MAX.	
Propagation Delay Time	t <sub>pLH</sub>	5.0 ± 0.5	15	—	5.0	6.9	1.0	8.0	ns
	t <sub>pHL</sub>		50	—	5.5	7.9	1.0	9.0	
Input Capacitance	C <sub>IN</sub>			—	4	10	—	10	pF
Power Dissipation Capacitance	C <sub>PD</sub>	(Note 6)		—	17	—	—	—	

(Note 6) C<sub>PD</sub> is defined as the value of the internal equivalent capacitance which is calculated from the operating current consumption without load.

Average operating current can be obtained by the equation :

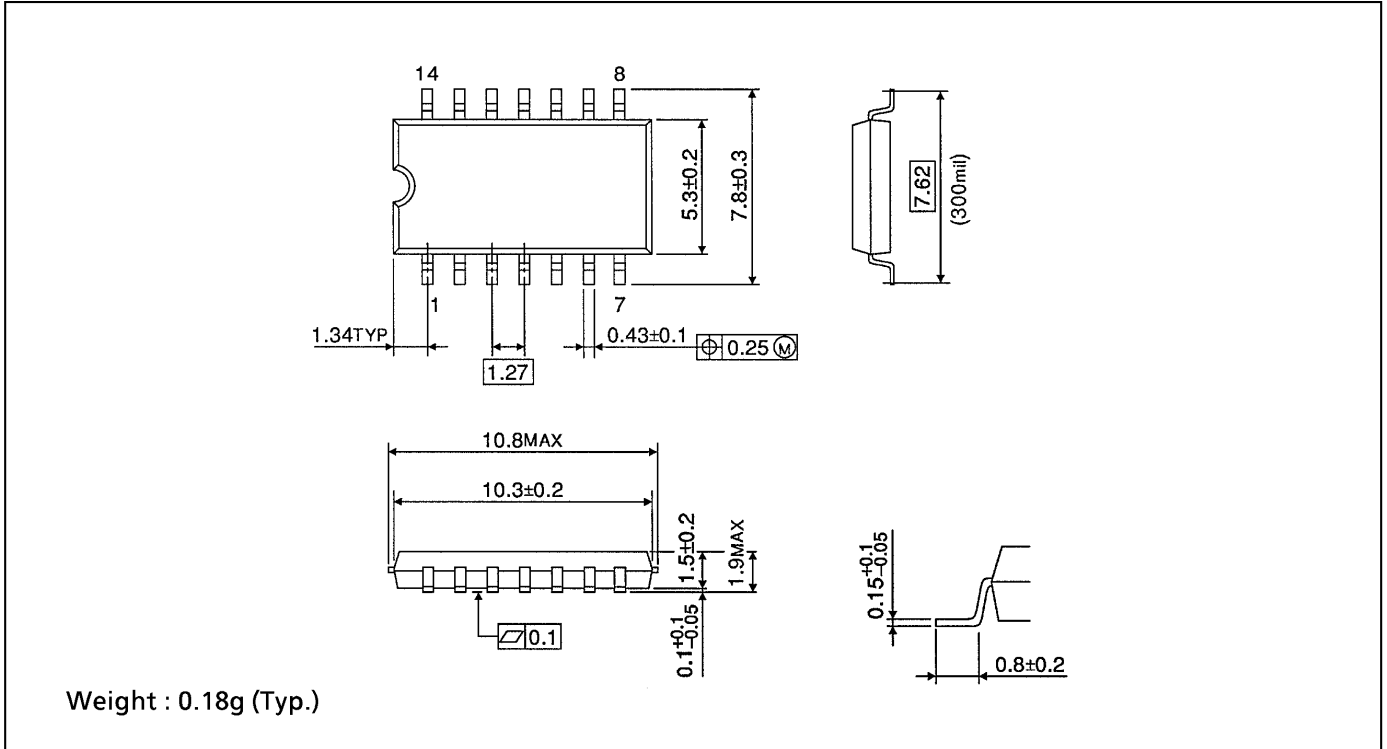
$$I_{CC(opr.)} = C_{PD} \cdot V_{CC} \cdot f_{IN} + I_{CC}/4 \text{ (per gate)}$$

NOISE CHARACTERISTICS (Input  $t_r = t_f = 3ns$ )

PARAMETER	SYMBOL	TEST CONDITION	Ta = 25°C		UNIT	
			V <sub>CC</sub> (V)	TYP.		MAX.
Quiet Output Maximum Dynamic V <sub>OL</sub>	V <sub>OLP</sub>	C <sub>L</sub> = 50pF	5.0	0.4	0.8	V
Quiet Output Minimum Dynamic V <sub>OL</sub>	V <sub>OLV</sub>	C <sub>L</sub> = 50pF	5.0	-0.4	-0.8	V
Minimum High Level Dynamic Input Voltage	V <sub>IHD</sub>	C <sub>L</sub> = 50pF	5.0	—	2.0	V
Maximum Low Level Dynamic Input Voltage	V <sub>ILD</sub>	C <sub>L</sub> = 50pF	5.0	—	0.8	V

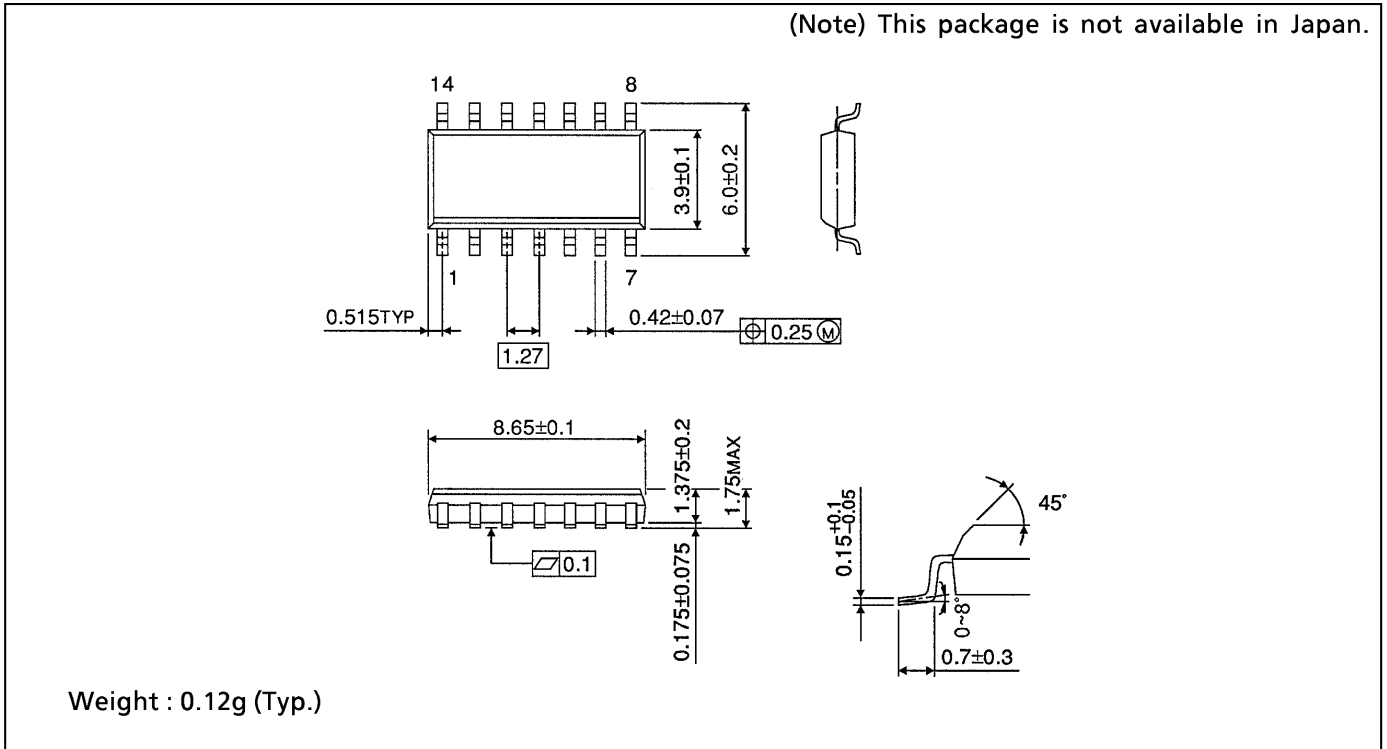
**SOP 14PIN (200mil BODY) PACKAGE DIMENSIONS (SOP14-P-300-1.27)**

Unit in mm



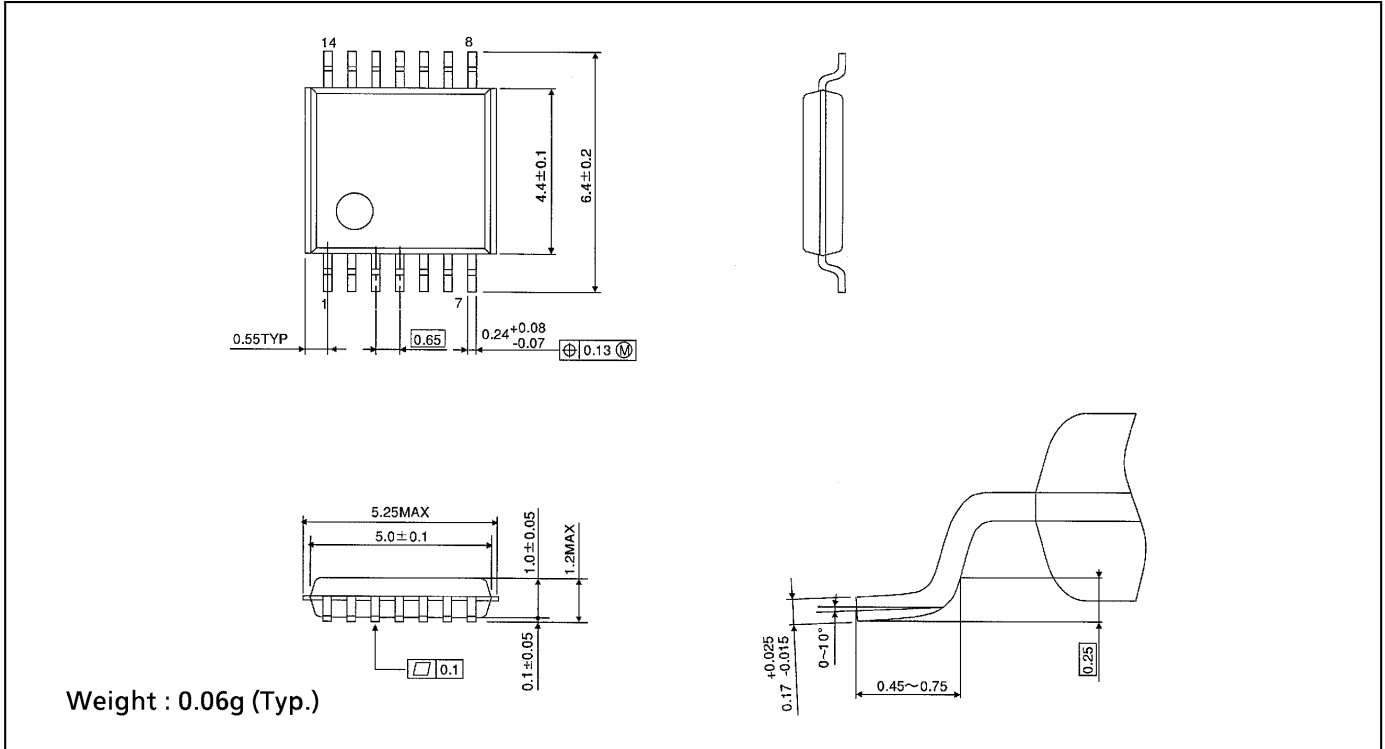
**SOP 14PIN (150mil BODY) PACKAGE DIMENSIONS (SOP14-P-150-1.27)**

Unit in mm



**TSSOP 14PIN PACKAGE DIMENSIONS (TSSOP14-P-0044-0.65)**

Unit in mm



**RESTRICTIONS ON PRODUCT USE**

000707EBA

- TOSHIBA is continually working to improve the quality and reliability of its products. Nevertheless, semiconductor devices in general can malfunction or fail due to their inherent electrical sensitivity and vulnerability to physical stress. It is the responsibility of the buyer, when utilizing TOSHIBA products, to comply with the standards of safety in making a safe design for the entire system, and to avoid situations in which a malfunction or failure of such TOSHIBA products could cause loss of human life, bodily injury or damage to property. In developing your designs, please ensure that TOSHIBA products are used within specified operating ranges as set forth in the most recent TOSHIBA products specifications. Also, please keep in mind the precautions and conditions set forth in the "Handling Guide for Semiconductor Devices," or "TOSHIBA Semiconductor Reliability Handbook" etc..
- The TOSHIBA products listed in this document are intended for usage in general electronics applications (computer, personal equipment, office equipment, measuring equipment, industrial robotics, domestic appliances, etc.). These TOSHIBA products are neither intended nor warranted for usage in equipment that requires extraordinarily high quality and/or reliability or a malfunction or failure of which may cause loss of human life or bodily injury ("Unintended Usage"). Unintended Usage include atomic energy control instruments, airplane or spaceship instruments, transportation instruments, traffic signal instruments, combustion control instruments, medical instruments, all types of safety devices, etc.. Unintended Usage of TOSHIBA products listed in this document shall be made at the customer's own risk.
- The products described in this document are subject to the foreign exchange and foreign trade laws.
- The information contained herein is presented only as a guide for the applications of our products. No responsibility is assumed by TOSHIBA CORPORATION for any infringements of intellectual property or other rights of the third parties which may result from its use. No license is granted by implication or otherwise under any intellectual property or other rights of TOSHIBA CORPORATION or others.
- The information contained herein is subject to change without notice.