

TOSHIBA CMOS Digital Integrated Circuit Silicon Monolithic

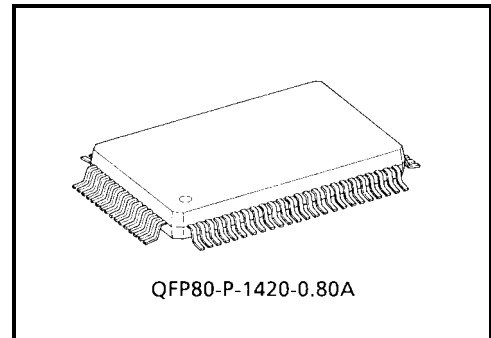
# TC83230-0012

TC83230-0012: Single-Chip CMOS LSI for Calculators with Printers  
(applicable printer heads: M-80, M-400A, M-400E, M-401A manufactured by EPSON)

The TC83230-0012 LSI is a single-chip CMOS LSI for use in calculators with printers.

It integrates I/O logic circuits necessary to configure a calculator with 10-and 12-digit display, two-memory function, parallel printer used to print calculation results, oscillator, and LCD drivers.

Note 1: PRINT FONT No.: M400A.....001-300  
M401A.....001-331  
M400E.....001-310  
M80..... Type A (12 digits)  
Type C (10 digits)



Weight: 1.52 g (typ.)

## Features

### Operational Features

- Print: 16 digits of data. (including decimal point.) 2 digits of minus sign, operational symbol.  
2-color printing.
- Display: 10 and 12 digits of data. (including punctuation in each digit.)  
1 digit of floating minus sign, memory load, error symbol, grand total memory load, 3 digits of commas.
- Decimal output: Decimal set lock key controls output format. Fixed decimal setting ("0", "1", "2", "3", "4", "6"), full floating decimal, and ADD mode.
- Key-input buffer: 12 words
- Operation methods: Addition and subtraction: By ARITHMETIC operation  
Multiplication and division: By algebraic operation
- Function: Four function, repeat multiplication and division, mixed calculation, square calculation, percentage calculation, percent discount and add-on calculation, memory calculation, delta percent calculation, add-mode calculation, mark-up/down calculation, total calculation, constant calculation, tax calculation
- Leading zero suppression

### Protection

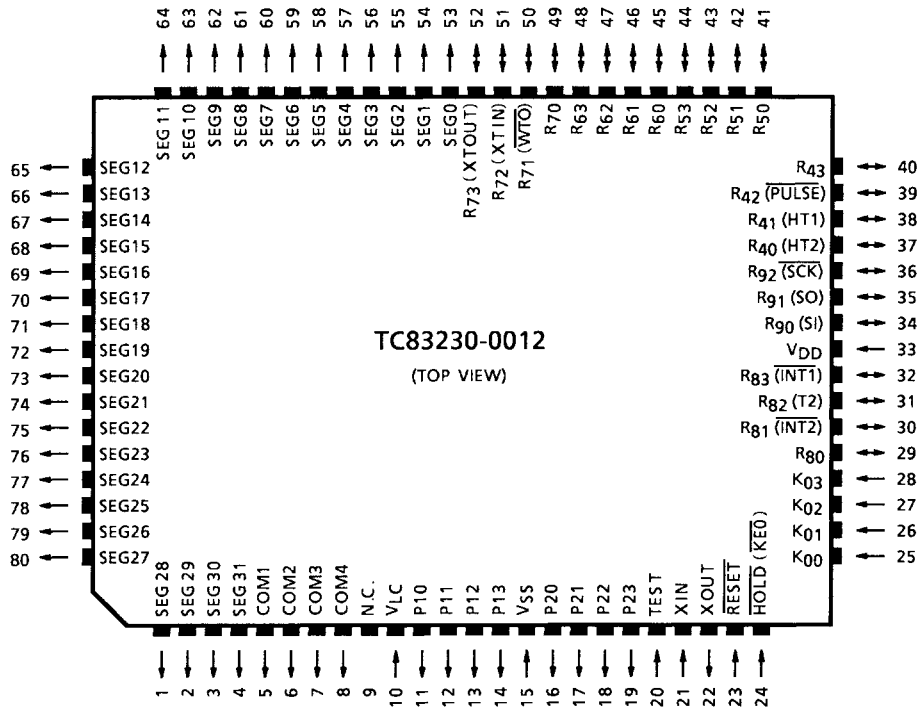
- (1) In the overflow condition, all key except "C", "C/CE", "CE", "Feed", "→" key are inoperative.
- (2) Key chatter protection

### Auto-Clear at Power On

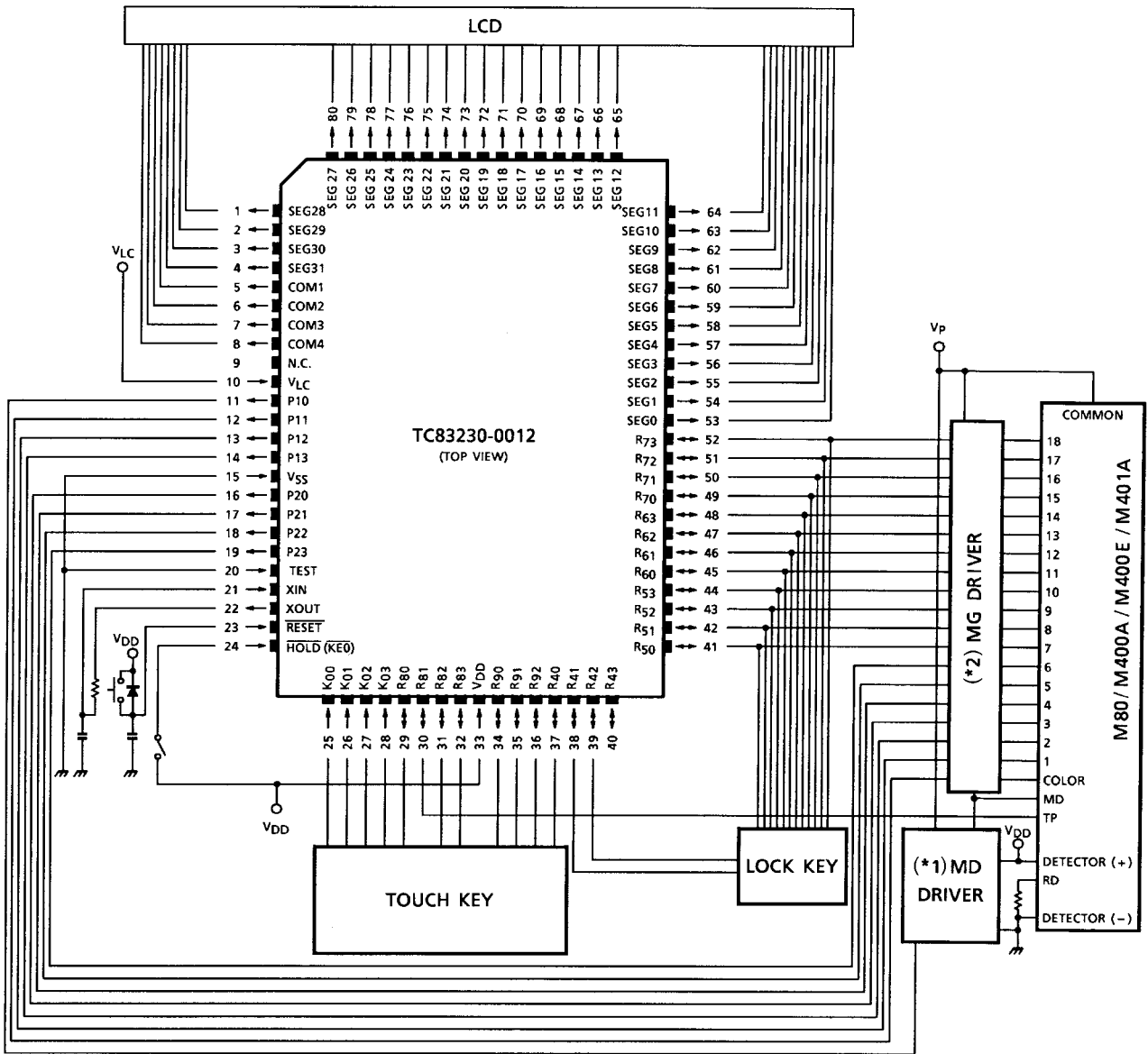
Auto-clear functions by connecting a capacitor to the RESET pin.

Pin Assignment (top view)

QFP80

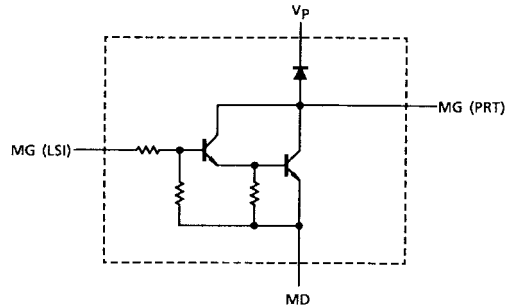
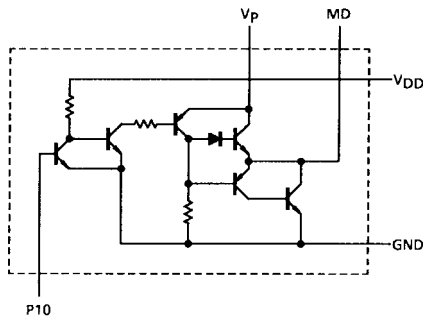


**System Block Diagram**



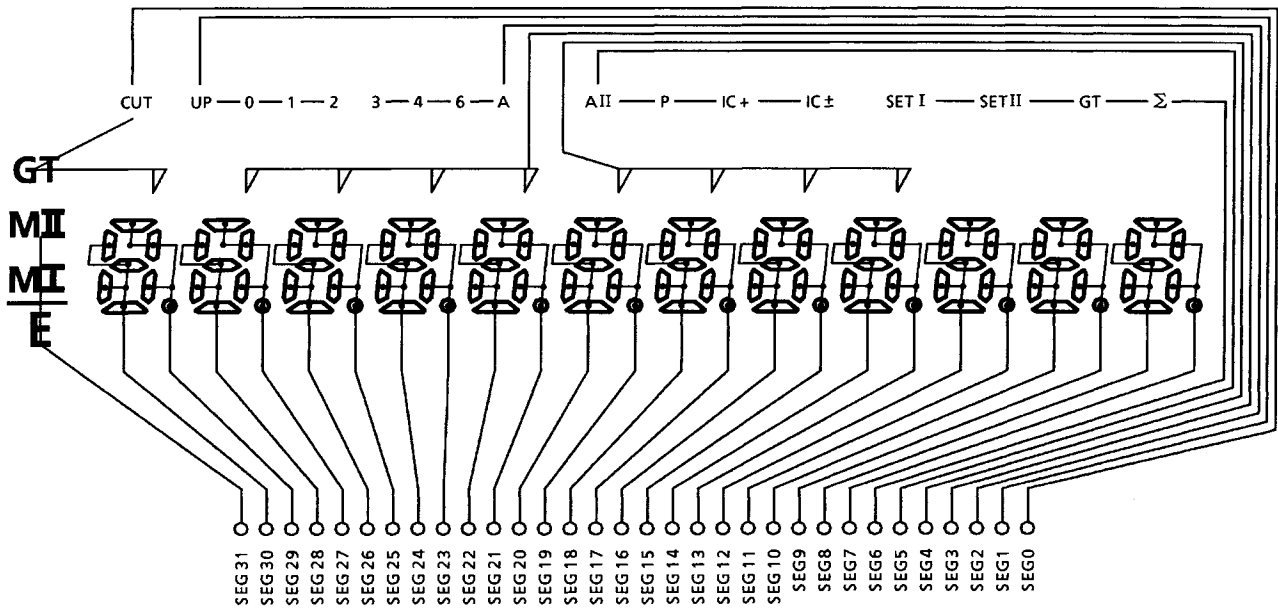
\*1: MD driver

\*2: MD driver

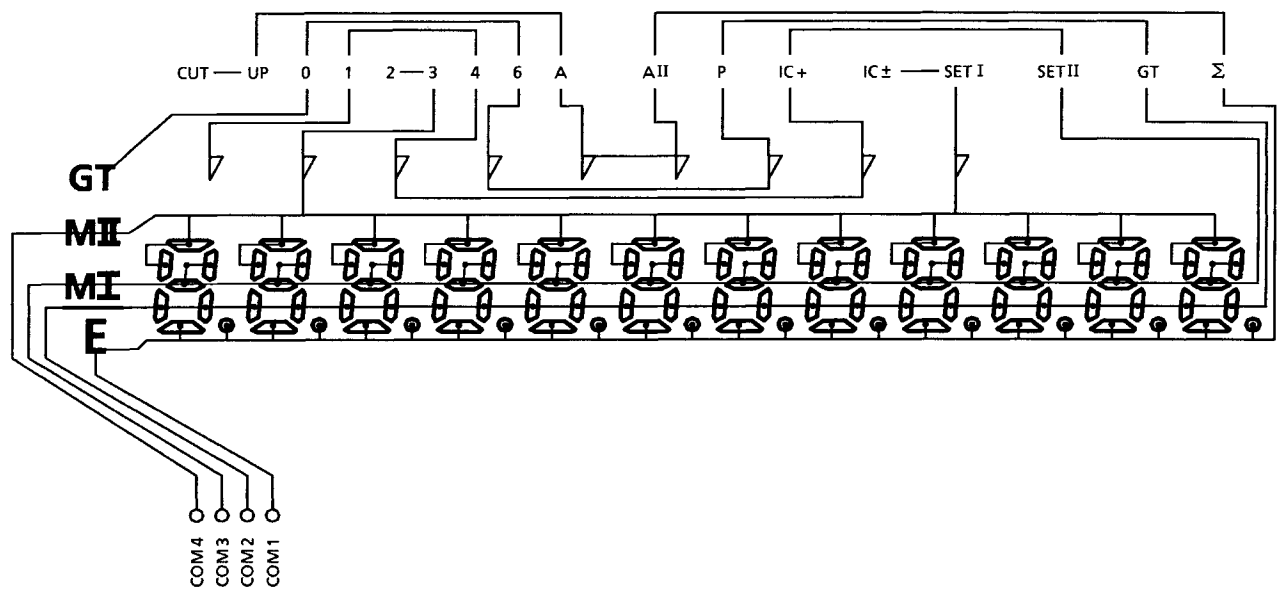


## Connection of LCD

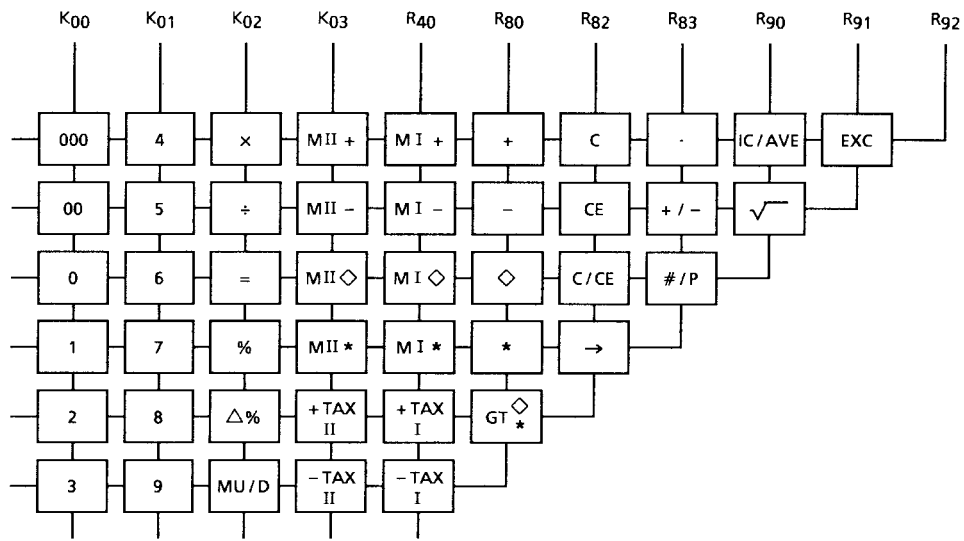
### Segment



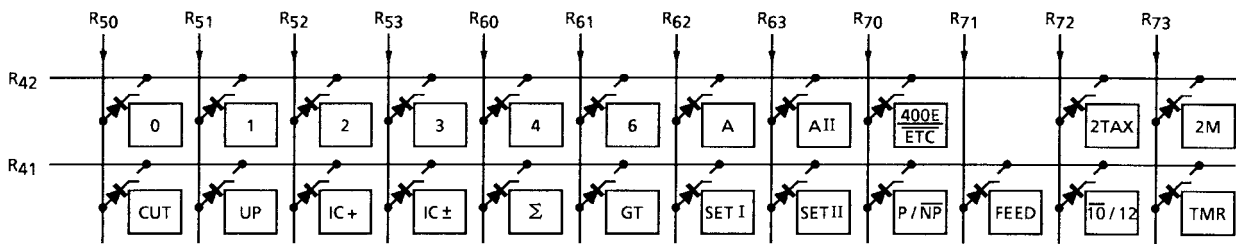
### Common



**Key Connection**



**Touch Key**



**Lock Key**

## Specification of Calculator

### Operation Specifications

(1) Operations depending on key types and modes

- Touch key

Key Name	CAL Mode	Tax Set Mode
Mode switch	[SET] lock key is off.	[SET] lock key is on.
C	Operates as clear key	Clears input data
CE	Operates as clear entry key	Clears input data
C/CE	Operates as clear or clear entry key	Clears input data
Numeral	Numerals Key-inputs numerals	Inputs numerals
.	Key-inputs decimal points	Key-inputs decimal points
*, ◇	Operates as total or sub-total key	Unused
+, - ×, ÷	Operates as four-function key	Unused
=	Operates as = key	Unused
%	Operates as % key	Unused
Δ%	Operates as delta percentage calculation key	Unused
MU/D	Operates as mark-up/down key	Unused
IC/AVE	Operates as item count or average key	Unused
#/P	Operates as non-add-print key for left-justified printing	Unused
→	Operates as right-shift key	Unused
+/-	Operates as sign change key	Operates as right-shift key
MI*, MII* MI◇, MII◇, MI-, MII-, MI+, MII+	Operates as memory function key	Unused
-TAXI/II	Operates as -TAXI/II key	Unused
+TAXI/II	Operates as +TAXI/II key	Unused
GT <sup>◇</sup> <sub>*</sub>	Operates as GT key	Unused
EXC	Operates as EXC key	Unused
√	Operates as √ key	Unused

- Lock key

Key Name	CAL Mode	Tax Set Mode
Mode switch	[SET] lock key is off.	[SET] lock key is on.
0, 1, 2, 3, 4, 6, A, AII	Switches decimal points	Unused
CUT, UP	Switches round-off and round-up	Unused
IC±, IC+	Operates as IC±/IC+ key	Unused
Σ	Operates as Σ key	Unused
GT	Switches GT mode or non-GT mode	Unused
FEED	Operates as paper feed key	Operates as paper feed key
P/NP	Switches print or non-print	Unused
$\overline{10/12}$ (Note 2)	Selects 10 or 12 digit	
$\frac{400E}{ECT}$ (Note 2)	Selects the M400E printer or other printers (M400A, M401A or M80).	
2 TAX (Note 2)	Selects single tax mode or double tax mode.	
2 M (Note 2)	Selects single memory mode or double memory mode.	

Note 2: Can switch modes only with the reset key, operating the same as the [ $\overline{10/12}$ ] key.

(2) Explanation of function

[0~9] ..... Keys in numbers from 0 to 9, 00, and 000. If the number of displays digits exceeds [00, 000] 10 or 12 key entry is invalid.

[.] ..... If this key is pressed after a key operation except data entry, the displays is cleared and entry of [.] is stored in memory. The decimal point is shifted for subsequent data entry. If the [.] key is pressed during data entry, displays does not change.

[+, -] ..... Add or subtract operation data and displays the result. The decimal point is floating except when A mode is specified. Addition or subtraction can be performed repeatedly.

If these key are pressed in multiplication/division mode or in constant calculation mode, add or subtract displays data to addition/subtraction registers, then displays the result. At this time, in the operation mode multiplicand or divisor do not change.

These keys increment or decrement the item counter. In the following operation mode, the operations are executed, and the results are printed and displayed. At that time, addition or subtraction using the addition/subtraction register is not executed.

1) Percent discount/add-on calculation

$$\begin{aligned}
 &a \times b\% + \dots a + (ab/100) \\
 &\quad c\% + \dots a + (ac/100) \\
 &a \times b\% - \dots a - (ab/100) \\
 &\quad c\% - \dots a - (ac/100)
 \end{aligned}$$

Percent discount/add-on with constants are calculated as above.

[◇] ..... Prints and displays the intermediate result in addition/subtraction register. In item count mode, prints the contents of the item counter before the calculation result printing.

Contents of data register or stored arithmetic instruction are not changed.

[\*] ..... Prints and displays the result in addition/subtraction register. Automatically feeds paper one line. In item count mode, the contents of the item counter are printed before the calculation result printing.

After this key operation, the contents of the addition/subtraction register are cleared. The contents of the item counter are cleared at the first addition/subtraction in next step. The contents of the data register or stored arithmetic instruction are not changed. When GT mode is specified, the result of addition/subtraction is added to the GT memory.

$\left[ \begin{array}{l} \text{MI+}, \text{MII+} \\ \text{MI-}, \text{MII-} \end{array} \right]$  ..... If the arithmetic instruction is not stored or if the mode is constant calculation mode, first prints the displays contents after rounding to the specified number of decimal places, performs addition/subtraction using the data in memory, then stores the result in memory. If the multiplication/division instruction is stored, executes the arithmetic instruction, rounds the result to the specified number of decimal places, prints and displays the result, adds/subtracts with the data in memory, then stores the result to memory.

At that time, the multiplicand or divisor is stored together with the mode, constant calculation mode. When this key is pressed immediately after the [×] or [MI+, MII+, MI-, MII-] key, operation is the same as that for the [=] key; that is, adds/subtracts using data in memory. This key operation increments or decrements the item counter for memory.



- [MI◊, MII◊]..... Prints or displays the intermediate result of memory calculation. In item count mode, prints the contents of the item counter for memory before the calculation result printing. Contents of the data register or stored arithmetic instruction are not changed.
  
- [MI\*, MII\*]..... Prints and displays the result of memory calculation and automatically feeds paper one line. In item count mode, prints the contents of the item counter for memory before the calculation result printing. After the [MI\*, MII\*] key operation, the contents of memory and the contents of the item counter for memory are cleared. Contents of the data register or stored arithmetic instruction are not changed.
  
- [×, ÷]..... If the multiplication or division instruction is stored in memory, prints the operators, performs the operations and displays the results while simultaneously storing a new arithmetic instruction in memory. The decimal point for the result is floating. If the [×] or [÷] key is pressed in constant calculation mode, prints the displayed numeric value without performing an operation and stores a new multiplication/division instruction in memory.
  
- [=]..... Executes a stored multiplication/division instruction, rounds the result to the specified number of decimal places, prints and displays the result, then automatically feeds the paper one line. Stores the multiplicand or divisor together with constant calculation mode in memory. If an instruction is not stored in memory, no operation is performed and the previous state is held. Pressing the [=] key immediately after the [×] or [÷] key performs the following operation.
  - a × =.....aa
  - a ÷ =.....1
  
- [%]..... If an arithmetic instruction is stored in memory, performs percentage calculation, rounds the result to the specified number of decimal places, prints and displays the result. Stores the multiplicand/divisor together with constant calculation mode in memory. If a percentage calculation for multiplication is performed, percent discount/add-on calculation can be done by using the [+ ] or [- ] key. At that time, addition/subtraction using the addition/subtraction register is not performed. If an arithmetic instruction is not stored in memory, no operation is performed and the previous state is held. Pressing the [%] key immediately after the [×] or [÷] key performs the following operation.
  - a × % =...aa/100
  - a ÷ % =...100

% key operation example: percent discount/add-on calculation

  - a × b%....ab/100
  - +.....a + (ab/100)
  - c% .....ac/100
  - +.....a + (ac/100)
  - a × b%....ab/100
  - .....a - (ab/100)
  - c% .....ac/100
  - .....a - (ac/100)

[MU/D]..... If a multiplication/division instruction is stored in memory, cancels the data. The decimal point for the result is floating.

MU/D key operation example:

$$\begin{aligned}
 a\text{MU/Db} &= \dots\dots\dots a/(1 - (b/100)) - a && \text{(prints profit)} \\
 & && a/(1 - (b/100)) && \text{(mark-up)} \\
 c &= \dots\dots\dots a/(1 - (c/100)) - a && \text{(prints profit)} \\
 & && a/(1 - (c/100)) && \text{(mark-up)} \\
 a\text{MU/Db +/-} &= \dots\dots\dots a/(1 + (b/100)) - a && \text{(prints profit)} \\
 & && a/(1 + (b/100)) && \text{(mark-down)} \\
 c +/- &= \dots\dots\dots a/(1 + (c/100)) - a && \text{(prints profit)} \\
 & && a/(1 + (c/100)) && \text{(mark-down)}
 \end{aligned}$$

[Δ%] ..... If a multiplication/division instruction is memorized, cancels the data.

Δ%key operation example:

$$\begin{aligned}
 a\Delta\% b &= \dots\dots\dots b - a \\
 & && (b - a)/|a| && \text{(prints difference)} \\
 c &= \dots\dots\dots c - a && \text{(change delta percent)} \\
 & && (c - a)/|a| && \text{(prints difference)} \\
 a\Delta\% b +/- &= \dots\dots\dots -(b + a) && \text{(change delta percent)} \\
 & && -(b + a)/|a| && \text{(prints difference)} \\
 c +/- &= \dots\dots\dots -(c + a) && \text{(change delta percent)} \\
 & && -(c + a)/|a| && \text{(prints difference)}
 \end{aligned}$$

[+/-]..... Inverts sign of the displayed number at key entry.

[→] ..... Shifts the contents of the displays to the right by one digit at key entry. For an estimation calculation error, cancels the error.

[GT<sup>◇</sup>\*]..... Calls the contents of GT memory. If the key is pressed once, calls the contents of GT memory, but does not change current state. If the key is pressed twice, calls the contents of GT memory and clears them.

[C] ..... Cancels all arithmetic instructions and errors, clears the contents of all the registers except the memory register, and prints 0.C.

[CE] ..... If pressed at key entry, clears only the contents of the displays; does not change the stored arithmetic instruction or the contents of the data register. Invalid if pressed after one of the following keys: [C] [×] [÷] [+] [-] [=] [%] [Δ%] [MI+, MII+] [MI-, MII-] [MI◇, MII◇] [MI\*, MII\*] [MU/D] [IC/AVE].  
The result of pressing the [CE] key after the [#P] key depends on the state before the keys were pressed.

[IC+]..... Selects item count mode.

[IC±]            IC+..... Counts up by the [+] or [-] key.  
                  IC±..... Counts up by the [+] key, down by the [-] key.

[C/CE]..... If pressed at key entry, operates same as the [CE] key.  
If pressed after one of the following keys, operates same as the [C] key: [C/CE] [×] [÷] [+] [-] [=] [%] [Δ%] [MI+, MII+] [MI-, MII-] [MI◇, MII◇] [MI\*, MII\*] [MU/D] [IC/AVE].  
The result of pressing the [C/CE] key after the [+/-] or the [#P] key depends on the state before the keys were pressed.

[#/P] ..... If pressed after the numerical key entry, prints the contents of the key entry data register together with the # symbol, but does not change the current state. If the key is pressed after a key except the numerical keys or [+/-] key, does not change the contents of the displays or the current state. If the key is pressed in clock mode, automatically prints the displayed date and time.

[+TAXI/II] ..... Calculate included tax operation or excluded tax operation. But, only prints and does not express the tax. Prints or displays the result-value. (result-value adjusts decimal-point (TAB) setting.) Feeds the paper one line after prints.  
 [-TAXI/II]

TAXI key operation example: (TAX = 3%)  
 a [+TAXI] ..... a (3/100) (prints TAX)  
 ..... a + (a (3/100)) (included TAX)  
 a [-TAXI] ..... a/(1 + 3/100) - a (prints TAX)  
 ..... a/(1 + 3/100) (excluded TAX)

If pressed at key entry after number key entry, calculate the tax as a result of calculation.  
 When multiplication/division instruction is stored in memory.

[EXC] ..... If an multiplication or division instruction is not stored in memory, it is invalid. Constant calculation of multiplication or division instruction exchange for the value of displays, and displays it.

[√] ..... Operates root-instruction and displays result-value with prints. (result-value adjusts decimal-point (TAB) setting.)  
 After prints feeds the paper one line. If the value is minus, change to the plus value and operate root-instruction. Then produce an estimate calculation-error. But keep the arithmetic instruction and date-register.

[IC/AVE] ..... Prints or displays the item counter, when IC/AVE key continuously pressed twice just after pressed [\*] key and [∅] key,  
 After first, prints or displays the item counter.  
 The second, the calculation of the mean number are executed, prints or displays the operation result.  
 After calculation of the mean number, item counter are cleared.

Example

a (+)	}	Addition to total	(*)	→ Displays or prints addition/					
b (+)					→ addition/subtraction	subtraction register.			
c (+)							(IC/AVE) → Displays the item counter		
d (+)								(IC/AVE) → Displays or prints	
e (+)									(a + b + c + d + e + f + g)/7
f (+)									
g (+)									

Then even if IC-value is a negative, the calculation of the mean number.

Example

a (-)	}	Addition to total	(*)	→ Displays or prints addition/			
b (-)					→ addition/subtraction	subtraction register.	
c (+)							(IC/AVE) → Displays the item counter
d (-)							
	(-a - b + c - d) / 4   (IC+)						
		(-a - b + c - d) / -2   (IC±)					

(3) Explanation of lock keys

- [0, 1, 2, 3]..... Sets the specified decimal point. If no specification, floating is set.
- [4, 6, A, AII]      When processing floating point data, the operation result is zero-shifted.  
                           When A mode is specified, key-entered data are multiplied by 1/100 only when the key-entered numerical value is used for addition/subtraction or memory addition/subtraction. If the [·] key is pressed during data entry, A mode is invalid. The operation result is treated the same as the specified decimal point, 2. When AII mode is specified, key-entered data are multiplied by 1/100 only when the key-entered numerical value is used for multiplication/division by [=] key. If the [·] key is pressed during data entry, AII mode is invalid. The operation result is treated the same as the specified decimal point, 2.
  
- [CUT, UP] ..... Rounds-off in CUT mode; rounds-up in UP mode; when no specification is made, half-adjusts. When a decimal point is specified, the digit (s) in the subsequent decimal place is (are) half-adjusted, rounded-off, or rounded-up (??). If floating point is specified, the value of the least significant digits which cannot be displayed is rounded off.
  
- [P/ $\overline{NP}$ ] ..... Switches between print and non print mode. When [P/ $\overline{NP}$ ] lock key is off, disables all printing except [PF] or [#P] key.  
                           When mode changes from non-print to print, feeds the paper one line.
  
- [IC+]..... Selects item count mode.
- [IC $\pm$ ]                IC+..... Counts up by the [+ ] or [-] key.  
                           IC $\pm$ ..... Counts up by the [+ ] key, down by the [-] key.
  
- [ $\Sigma$ ] ..... If an operation is performed by the [=] or [%] key in auto accumulation calculation mode, adds the operation result to the addition/subtraction register and increments the item counter.
  
- [GT] ..... In grand total mode, adds the total register to the GT register by the [\*] key.
  
- [ $\left[ \begin{array}{l} \text{SETI} \\ \text{SETII} \end{array} \right]$ ] ..... When the [SETI/SETII] lock key is on, prints and express the stored tax rate. When the [SETI/SETII] lock key is off, store the expression data to the new tax rate. The result of tax rate is only floating-point, and not concent the decimal-point at this function.
  
- [FEED] ..... Feed paper.
  
- [TMR] ..... When the [TMR] lock key is on, auto power-off functions.  
                           (after approx. 6 minutes.)
  
- [ $\overline{10}/12$ ] ..... Selects 10 digits display and printer when the [ $\overline{10}/12$ ] lock key is off; Selects 12 digits display and printer when the [ $\overline{10}/12$ ] lock key is on.
  
- [ $\left[ \begin{array}{l} 400E \\ \text{ECT} \end{array} \right]$ ] ..... Switches between the M400E printer and other printers (M400A, M401A, or M80) to be used.  
                           When the [400E/ECT] lock key is on, selects the M400E printer.  
                           When the [400E/ECT] lock key is off, selects other printers (M400A, M401A, or M80).
  
- [2 TAX] ..... Switches between single tax and double tax mode.  
                           When the [2 TAX] lock key is on, one tax rate can be set. (SETII and TAXII will be disabled.)  
                           When the [2 TAX] lock key is off, two tax rates can be set.
  
- [2 M] ..... Selects single memory or double memory mode.  
                           When the [2 M] lock key is on, one memory can be used. (MII will be disabled.)  
                           When the [2 M] lock key is off, two memories can be used.

## Operation Example

Key										Print			Display	
TAB	4/5	IC	Σ	GT	MOD	10/12	2	TAX	2	M	Touch			
F	4/5	OFF	OFF	OFF	CAL	12		OFF	OFF		POWER ON			
												<PF>		
													C	
												<PF>		0.
											1+	1.	+	1.
											2-	2.	-	R -1.
											◇	1.	-	R -1.
											*	1.	-	R -1.
												<PF>	-	-1.
											IC/AVE	2.		2.
											IC/AVE	0.5	K *	R -0.5
											IC/AVE	0.		0.
F	4/5	IC+	OFF	OFF	CAL	12		OFF	OFF		1+	1.	+	1.
											2-	2.	-	R -1.
											◇	002		
												1.	-	R -1.
											IC/AVE	2.		2.
											IC/AVE	0.5	K *	R -0.5
											IC/AVE	2.		2.
											*	002		
												1.	-	R -1.
												<PF>	-	-1.
											IC/AVE	2.		2.
											IC/AVE	0.5	K *	R -0.5
											IC/AVE	0.		0.
F	4/5	OFF	OFF	OFF	CAL	12		OFF	OFF		3×	3.	×	3.
											4÷	4.	÷	12.
											=	4.	=	
												3.	*	
												<PF>		3.
											5×	5.	×	5.
											6%	6.	%	
												0.3	*	
												<PF>		0.3
											+	5.3	+ %	
												<PF>		5.3
											2÷	2.	÷	2.
											3%	3.	%	
												66.6666666666	*	
												<PF>		66.6666666666
											2 MU/D	2.	M	2.
											3=	3.	%	

Note 3: <PF> .....Paper feed  
 PRINT COLOR.....R: Red  
 .....No mark: Black

Key										Print				Display	
TAB	4/5	IC	Σ	GT	MOD	10/12	2	TAX	2 M	Touch					
											0.0618556701	Δ *			
											2.0618556701	*			
											<PF>			2.0618556701	
										2Δ%	2.	Δ		2.	
										3=	3.	=			
											1.	Δ *			
											50.	Δ %			
											<PF>			50.	
F	4/5	OFF	Σ	OFF	CAL	12		OFF	OFF	3×	3.	×		3.	
										4÷	4.	÷		12.	
										=	4.	=			
											3.	+			
											<PF>			3.	
										5×	5.	×		5.	
										6%	6.	%			
											0.3	+			
											<PF>			0.3	
										+	5.3	+	%		
											<PF>			5.3	
										2÷	2.	÷		2.	
										3%	3.	%			
											66.6666666666	+			
											<PF>			66.6666666666	
										2 MU/D	2.	M		2.	
										3=	3.	%			
											0.0618556701	Δ *			
											2.0618556701	+			
											<PF>			2.0618556701	
										2Δ%	2.	Δ		2.	
										3=	3.	=			
											1.	Δ *			
											50.	+			
											<PF>			50.	
										*	122.028522336	*			
											<PF>			122.028522336	
F	4/5	OFF	Σ	GT	CAL	12		OFF	OFF	2+	2.	+		2.	
										3+	3.	+		5.	
										*	5.	G +			
											<PF>			5.	GT
										3-	3.	-	R	GT	-3.
										4-	4.	-	R	GT	-7.
										5-	5.	-	R	GT	-12.

Note 3: <PF> .....Paper feed

PRINT COLOR.....R: Red

.....No mark: Black

Key								Print			Display		
TAB	4/5	IC	Σ	GT	MOD	10/12	2 TAX 2 M	Touch					
								*	12.	G +	R		
								<PF>				GT	-12.
								GT <sup>◇</sup> *	7.	G ◇	R	GT	-7.
								GT <sup>◇</sup> *	7.	G *	R		
								<PF>					-7.
F	4/5	OFF	Σ	OFF	CAL	12	OFF OFF	MI+	.....1.....				
									7.	M +	R	MI	-7.
								5				MI	5.
								MII+	.....2.....				
									5.	M +		MII MI	5.
								MI◇	.....1.....				
									7.	M ◇	R	MII MI	-7.
								MI*	.....1.....				
									7.	M *	R		
								<PF>				MII	-7.
								MII◇	.....2.....				
									5.	M ◇		MII	5.
								MII*	.....2.....				
									5.	M *			
								<PF>					5.
								#/P	5.	◇			5.
								2 #/P	#2				2.
								#/P	2.	◇			2.
								0÷	0.	÷			0.
								=	0.	=			0.
									ERROR				
									0.	*			
								<PF>				E	0.
								C	0.	C			
								<PF>					0.
F	CUT	OFF	OFF	OFF	SETI	12	OFF OFF	.....1.....					
									0.	%			
								<PF>					0.
								3					3.
F	CUT	OFF	OFF	OFF	CAL	12	OFF OFF	.....1.....					
									3.	%			
								<PF>					0.
								C	0.	C			
								<PF>					0.
F	CUT	OFF	OFF	OFF	SETI	12	OFF OFF	.....1.....					
									3.	%			
								<PF>					3.

Note 3: <PF> .....Paper feed  
 PRINT COLOR.....R: Red  
 .....No mark: Black

Key								Touch	Print		Display
TAB	4/5	IC	Σ	GT	MOD	10/12	2 TAX 2 M				
F	CUT	OFF	OFF	OFF	CAL	12	OFF OFF				0.
F	CUT	OFF	OFF	OFF	SETII	12	OFF OFF		.....2.....		
									0.	%	
									<PF>		0.
								5			5.
F	CUT	OFF	OFF	OFF	CAL	12	OFF OFF		.....2.....		
									5.	%	
									<PF>		0.
F	CUT	OFF	OFF	OFF	SETII	12	OFF OFF		.....2.....		
									5.	%	5.
F	CUT	OFF	OFF	OFF	CAL	12	OFF OFF				0.
								1560			1,560.
								+TAXI	.....1.....		
									1,560.		
									46.8	Δ	
									1,606.8	*	
									<PF>		1,606.8
								1560			1,560.
								+TAXII	.....2.....		
									1,560.		
									78.	Δ	
									1,638.	*	1,638.
									<PF>		
								+TAXI	.....1.....		
									1,638.	◇	
									49.14	Δ	
									1,687.14	*	
									<PF>		1,687.14
								1560			1,560.
								×	1,560.	×	1,560.
								78900			78,900.
F	4/5	OFF	OFF	OFF	CAL	12	OFF OFF	+TAXI	.....1.....		
									78,900.	=	
									123,084,000.	◇	
									3,692,520.	Δ	
									126,776,520.	*	
									<PF>		126,776,520.
								=			126,776,520.
								5			5.
								×	5.	×	5.
								+TAXI			5.
								=	5.	=	

Note 3: <PF> .....Paper feed

PRINT COLOR.....R: Red

.....No mark: Black



Key										Print			Display
TAB	4/5	IC	Σ	GT	MOD	10/12	2	TAX	2 M	Touch			
											25·	*	
											<PF>		25.
										+TAXI	.....1.....		
											25·	◇	
											0.75	Δ	
											25.75	*	
											<PF>		25.75
										=			25.75
										C	0·	C	
											<PF>		0.
2	CUT	OFF	OFF	OFF	CAL	12	OFF	OFF		1560			1,560.
										+	1,560.00	+	1,560.00
										1100			1,100.
										+	1,100.00	+	2,660.00
										+TAXII	.....2.....		
											2,660.00	◇	
											133.00	Δ	
											2,793.00	*	
											<PF>		2,793.00
F	CUT	OFF	OFF	OFF	CAL	12	OFF	OFF		+TAXI	.....1.....		
											2,793.00	◇	
											83.79	Δ	
											2,876.79	*	
											<PF>		2,876.79
										98000000			
										0000			980,000,000,000.
										+TAXI	.....1.....		
											980,000,000,000·		
											29,400,000,000·	Δ	
											ERROR		
											1.00940000000	*	
											<PF>		E 1.00940000000
										C	0·	C	
											<PF>		0.
										1560			1,560.
										+/-			-1,560.
										+TAXI	.....1.....		
											1,560·	-	R
											46.8	Δ	R
											1,606.8	- *	R
											<PF>		-1,606.8
										1560			1,560.

Note 3: <PF> .....Paper feed

PRINT COLOR.....R: Red

.....No mark: Black

Key								Print		Display
TAB	4/5	IC	Σ	GT	MOD	10/12	2 TAX 2 M	Touch		
								-TAXI	.....1..... 1,560· 45·43689321 Δ R 1,514·56310679 * <PF>	1,514.56310679
								-TAXI	.....1..... 1,514·56310679 ◊ 44·11348855 Δ R 1,470·44961824 * <PF>	1,470.44961824
								1560		1560.
								-TAXII	.....2..... 1,560· 74·28571429 Δ R 1,485·71428571 * <PF>	1,485.71428571
								-TAXII	.....2..... 1,485·71428571 ◊ 70·74829932 Δ R 1,414·96598639 * <PF>	1,414.96598639
F	CUT	OFF	OFF	OFF	SETI	12	OFF OFF		.....1..... 3· % <PF>	3.
								C		0.
F	CUT	OFF	OFF	OFF	CAL	12	OFF OFF		.....1..... 0· % <PF>	0.
F	CUT	OFF	OFF	OFF	SETI	12	OFF OFF		.....1..... 0· % <PF>	0.
								1234		1234.
F	CUT	OFF	OFF	OFF	CAL	12	OFF OFF		.....1..... 1,234· % <PF>	0.
F	CUT	OFF	OFF	OFF	SETII	12	OFF OFF		.....2..... 5· % <PF>	5.
								C		0.
F	CUT	OFF	OFF	OFF	CAL	12	OFF OFF		.....2..... 0· % <PF>	0.

Note 3: <PF> .....Paper feed

PRINT COLOR.....R: Red

.....No mark: Black

Key										Print		Display
TAB	4/5	IC	Σ	GT	MOD	10/12	2	TAX	2 M	Touch		
										98000000		980,000,000,000.
										0000		
										+TAXI	.....1.....	
F	CUT	OFF	OFF	OFF	CAL	12	OFF	OFF			980,000,000,000.	
											ERROR	
											0.	*
										<PF>		E 0.
										C	0.	C
										<PF>		0.
										2		2.
										×	2.	×
										3		3.
										×	3.	×
										EXC	3.	↑
										×	6.	×
										EXC	6.	↑
										×	18.	×
										EXC	18.	↑
										×	108.	×
										EXC	18.	↑
										×	108.	×
										=	108.	=
											209,952.	*
										<PF>		209,952.
										9		9.
										√	9.	R
											3.	*
										<PF>		3.
										√	3.	R
											1.73205080756	*
										<PF>		1,73205080756
										+/-		-1,73205080756
										√	1.73205080756	R R
											ERROR	
											1.31607401294	- * R
										<PF>		E -1,31607401294
										C	0.	C
										<PF>		0.
A	CUT	OFF	OFF	OFF	CAL	12	OFF	OFF		123		123.
										+	1.23	+
										456		456.
										+	4.56	+
										∅	5.79	∅
										*	5.79	*

Note 3: <PF> .....Paper feed

PRINT COLOR.....R: Red

.....No mark: Black

Key										Print		Display	
TAB	4/5	IC	Σ	GT	MOD	10/12	2	TAX	2 M	Touch			
											<PF>		5.79
AII	CUT	OFF	OFF	OFF	CAL	12		OFF	OFF	789			789.
										x	789·	x	789.
										100			100.
										=	1·00	=	
											789·00	*	
											<PF>		789.00
(Don't do it.)										123			123.
										+	123·00	+	123.00
										456			456.
										+	456·00	+	579.00
										*	579·00	*	
											<PF>		579.00
F	4/5	OFF	OFF	OFF	CAL	12	ON	ON		(RESET)	<PF>		
												C	
											<PF>		0.
										7			7.
										+/-			-7.
										MI+	7·	M +	R MI -7.
										5			MI 5.
										MII+			MI 5.
										MI∅	7·	M ∅	R MI -7.
										MI*	7·	M *	R -7.
											<PF>		
F	4/5	OFF	OFF	OFF	SETI	12	ON	ON			0·	%	
											<PF>		0.
										3			3.
F	4/5	OFF	OFF	OFF	CAL	12	ON	ON			3·	%	
											<PF>		0.
										C	0·	C	
											<PF>		0.
F	4/5	OFF	OFF	OFF	SETI	12	ON	ON			3·	%	
											<PF>		3.
F	4/5	OFF	OFF	OFF	CAL	12	ON	ON					0.
F	4/5	OFF	OFF	OFF	SETII	12	ON	ON					0.
										5			5.
F	4/5	OFF	OFF	OFF	CAL	12	ON	ON					5.
F	4/5	OFF	OFF	OFF	SETII	12	ON	ON					5.
F	4/5	OFF	OFF	OFF	CAL	12	ON	ON					5.
										CE			0.

Note 3: <PF> .....Paper feed

PRINT COLOR.....R: Red

.....No mark: Black

## Maximum Ratings ( $V_{SS} = 0\text{ V}$ )

Characteristics	Symbol	Rating	Unit
Supply voltage 1	$V_{DD}$	-0.3~6	V
Supply voltage (LCD drive)	$V_{LC}$	-0.3~ $V_{DD} + 0.3$	V
Input voltage	$V_{IN}$	-0.3~ $V_{DD} + 0.3$	V
Output voltage	$V_{OUT}$	-0.3~ $V_{DD} + 0.3$	V
Output current	$I_{OUT}$	3.2	mA
Power dissipation	$P_D$	600	mW
Soldering temperature	$T_{sld}$	260 (10 s)	°C
Storage temperature	$T_{stg}$	-55~125	°C
Operating temperature	$T_{opr}$	0~40	°C

## Electrical Characteristics

### Recommended Operating Conditions ( $V_{SS} = 0\text{ V}$ , $T_{opr} = 0\sim 40\text{°C}$ )

Characteristics	Symbol	Test Circuit	Test Condition	Min	Max	Unit
Operating temperature	$T_{opr}$	—	—	0	40	°C
Supply voltage	$V_{DD}$	—	NORMAL	4.5	5.5	V
		—	SLOW			
		—	HOLD	2.0		
High-level input voltage (non-schmitt circuit)	$V_{IH1}$	—	$V_{DD} \geq 4.5\text{ V}$	$V_{DD} \times 0.7$	$V_{DD}$	V
High-level input voltage (schmitt circuit)	$V_{IH2}$			$V_{DD} \times 0.75$	$V_{DD}$	V
High-level input voltage	$V_{IH3}$	—	$V_{DD} < 4.5\text{ V}$	$V_{DD} \times 0.9$	$V_{DD}$	V
Low-level input voltage (non-schmitt circuit)	$V_{IL1}$	—	$V_{DD} \geq 4.5\text{ V}$	0	$V_{DD} \times 0.3$	V
Low-level input voltage (schmitt circuit)	$V_{IL2}$			0	$V_{DD} \times 0.25$	V
Low-level input voltage	$V_{IL3}$			—	$V_{DD} < 4.5\text{ V}$	0

## DC Characteristics ( $V_{SS} = 0\text{ V}$ , $T_{opr} = 0\sim 40^{\circ}\text{C}$ )

Characteristics	Symbol	Test Circuit	Terminal	Test Condition	Min	Typ.	Max	Unit
Hysteresis voltage (schmitt circuit)	$V_{HS}$	—	Hysteresis Input	—	—	0.7	—	V
Input current	$I_{IN1}$	—	KO port, TEST, RESET, HOLD	$V_{DD} = 5.5\text{ V}$	—	—	$\pm 2$	$\mu\text{A}$
	$I_{IN2}$	—	Open Drain R port, P port	$V_{IN} = 5.5/0\text{ V}$	—	—	$\pm 2$	$\mu\text{A}$
Input resistance	$R_{IN1}$	—	KO port TEST with Input Resistor	$V_{DD} = 5.5\text{ V}$	30	70	150	$\text{k}\Omega$
	$R_{IN2}$	—	RESET, HOLD	$V_{IN} = 5.5/0\text{ V}$	100	220	450	
Output leakage current	$I_{LO1}$	—	Sink Open Drain R port	$V_{DD} = 5.5\text{ V}$ $V_{OUT} = 5.5\text{ V}$	—	—	2	$\mu\text{A}$
	$I_{LO2}$	—	Source Open Drain R port, P port	$V_{DD} = 5.5\text{ V}$ $V_{OUT} = -1.5\text{ V}$	—	—	-2	
High-level output voltage	$V_{OH}$	—	Source Open Drain R port, P port	$V_{DD} = 5.5\text{ V}$ $I_{OH} = -1.6\text{ mA}$	2.4	—	—	V
Low-level output voltage	$V_{OL}$	—	Sink Open Drain R port	$V_{DD} = 5.5\text{ V}$ $I_{OL} = 1.6\text{ mA}$	—	—	0.4	V
Pull-down resistance	$R_{OUT}$	—	R port, P port	$V_{DD} = 5.5\text{ V}$ $V_{IN} = 5.5\text{ V}$	30	70	150	$\text{k}\Omega$
Output resistance	$R_{OS}$	—	SEG	$V_{DD} = 5\text{ V}$ $V_{DD} - V_{LC} = 3\text{ V}$	—	—	35	$\text{k}\Omega$
	$R_{OC}$	—	COM					
Output voltage	$V_{O2/3}$	—	SEG/COM	$V_{DD} = 5\text{ V}$ $V_{DD} - V_{LC} = 3\text{ V}$	3.8	4.0	4.2	V
	$V_{O1/2}$				3.3	3.5	3.7	
	$V_{O1/3}$				2.8	3.0	3.2	
Supply current (normal)	$I_{DD}$	—	—	$V_{DD} = 5.5\text{ V}$ , $V_{LC} = V_{SS}$ $f_c = 4\text{ MHz}$	—	3	6	mA
Supply current (hold)	$I_{DDH}$	—	—	$V_{DD} = 5.5\text{ V}$	—	0.5	10	$\mu\text{A}$

Note 4: Typ. values are guaranteed at  $T_{opr} = 25^{\circ}\text{C}$ ,  $V_{DD} = 5\text{ V}$ .

Note 5:  $I_{IN1}$ : Expects a current through a internal pull up/down resistor.

Note 6:  $R_{OS}$ ,  $R_{OC}$ : Shows on-resistor at level switching.

Note 7:  $V_{O2/3}$ : Shows 2/3 level output voltage at which 1/4 or 1/3 duty LCD drive.

Note 8:  $V_{O1/2}$ : Shows 1/2 level output voltage at which 1/2 duty or static LCD drive.

Note 9:  $V_{O1/3}$ : Shows 1/3 level output voltage at which 1/4 or 1/3 duty LCD drive.

Note 10:  $I_{DD}$ ,  $I_{DDH}$ : Current consumption at  $V_{IN} = 5.3\text{ V}/0.2\text{ V}$

Should be under that KO port is open and R port voltage level is valid.

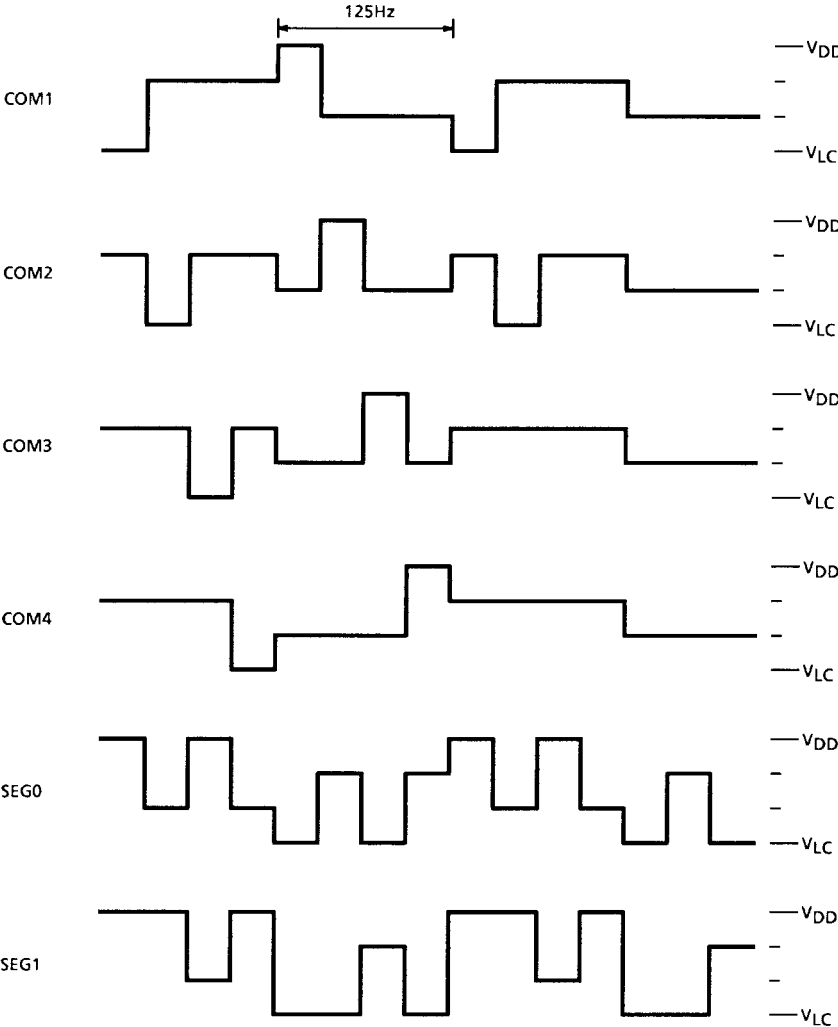
### Oscillation Circuit ( $V_{SS} = 0\text{ V}$ , $V_{DD} = 4.5\sim 5.5\text{ V}$ , $T_{opr} = 0\sim 40^\circ\text{C}$ )

Recommended Circuit	Test Condition	Min	Typ.	Max	Unit
	$V_{DD} = 5.0\text{ V}$ $C = 100\text{ pF}$ $R = 1\text{ k}\Omega \pm 2\%$	2.4	4.0	5.6	MHz

### AC Characteristics ( $V_{SS} = 0\text{ V}$ , $V_{DD} = 4.5\sim 6.0\text{ V}$ , $T_{opr} = 0\sim 40^\circ\text{C}$ )

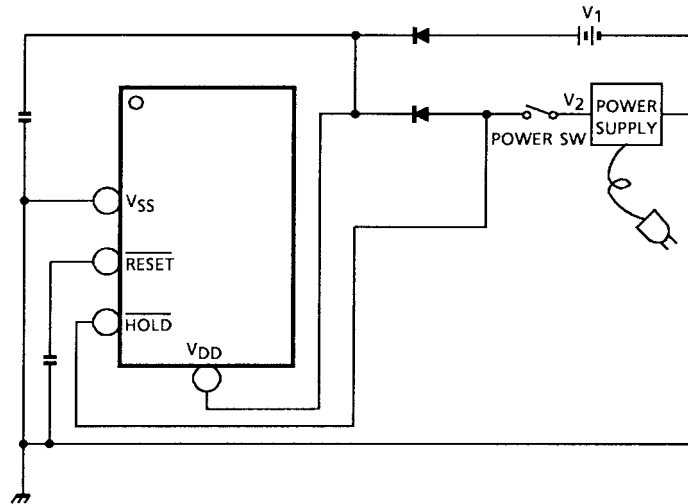
Characteristics	Symbol	Test Circuit	Test Condition	Min	Typ.	Max	Unit
Instruction cycle time	$t_{CY}$	—	NORMAL	1.9	—	20	$\mu\text{s}$
		—	SLOW	235	—	267	
High-level clock pulse width	$t_{WCH}$	—	External Clock Operation	80	—	—	ns
Low-level clock pulse width	$t_{WCL}$	—					ns
Shift data hold time	$t_{SDH}$	—	—	$0.5 t_{cy}$ – 300	—	—	ns
High speed timer/counter input frequency	$f_{HT}$	—	—	—	—	$f_c$	MHz

Waveforms for Display





**The Proposal of Outer Circuit for Tax Rate Holding with Back-Up Battery.**



Note 11:  $V_1 = +3\text{ V}$ : Battery supply

$V_2 = +5\text{ V}$ : DC supply

(  $\overline{\text{HOLD}}$  pin is pulled down in the LSI, but normally pulled up to  $V_{DD}$ .  
 $\overline{\text{RESET}}$  pin is pulled up to  $V_{DD}$ . )

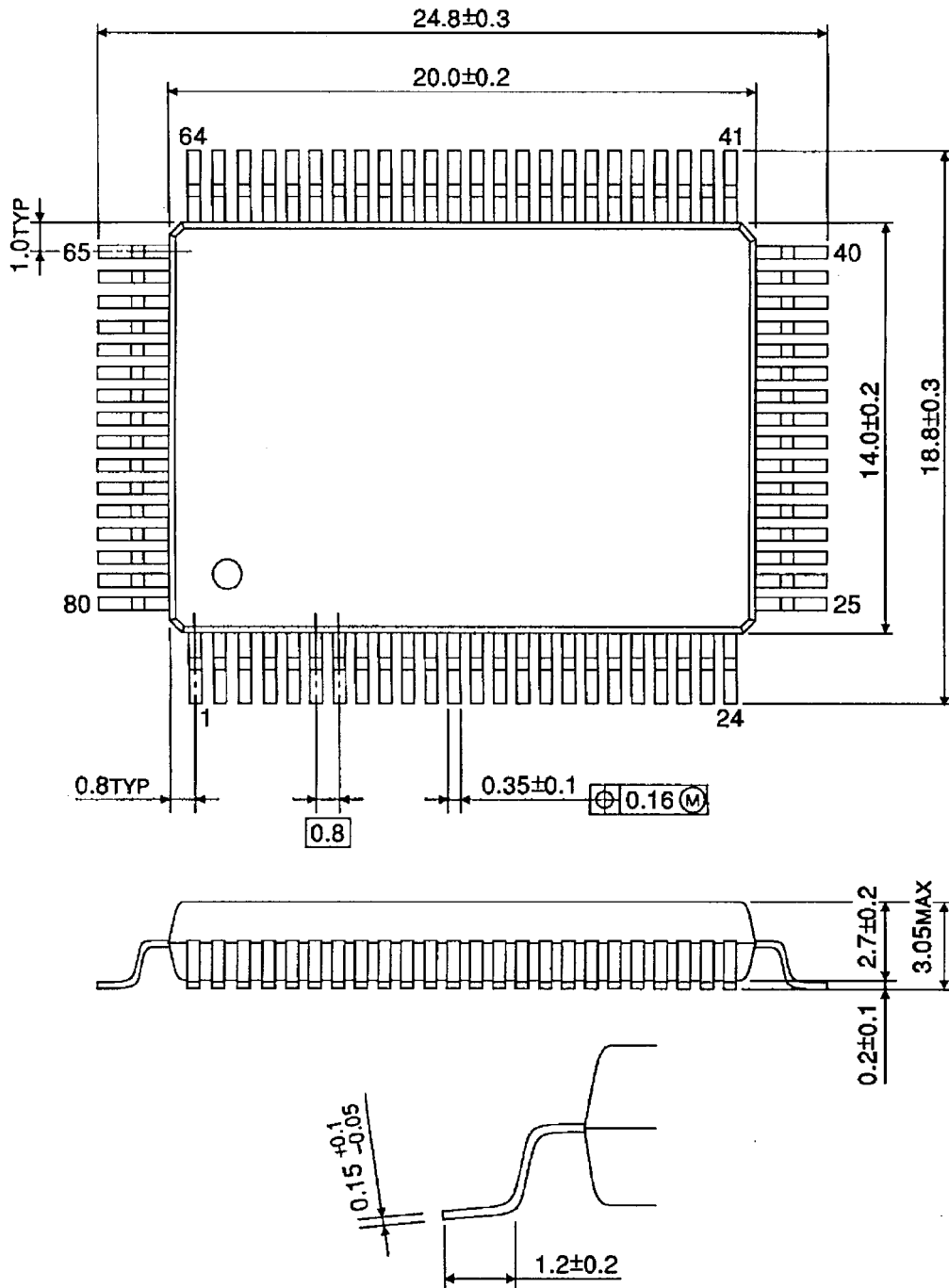
- (1) Setting POWER SW to ON,  $V_2$  is supplied to  $V_{DD}$  pin, and also to  $\overline{\text{HOLD}}$  pin. Then calculator operates normally.
- (2) Setting POWER SW from ON to OFF,  $V_1$  is supplied to  $V_{DD}$  pin and  $V_{SS}$  is supplied to  $\overline{\text{HOLD}}$  pin. Under this connection, TAX RATE is held.
- (3) Setting POWER SW to ON,  $V_2$  is supplied to  $V_{DD}$  pin, and also to  $\overline{\text{HOLD}}$  pin. Then calculator operates normally with TAX RATE to be held.

Note 12:  $V_1$  (battery) should be supplied to the circuit after  $V_2$  (DC) supply, because of prevention from exhaustion of battery and abnormal operation.

**Package Dimensions**

QFP80-P-1420-0.80A

Unit : mm



Weight: 1.52 g (typ.)

**RESTRICTIONS ON PRODUCT USE**

000707EBA

- TOSHIBA is continually working to improve the quality and reliability of its products. Nevertheless, semiconductor devices in general can malfunction or fail due to their inherent electrical sensitivity and vulnerability to physical stress. It is the responsibility of the buyer, when utilizing TOSHIBA products, to comply with the standards of safety in making a safe design for the entire system, and to avoid situations in which a malfunction or failure of such TOSHIBA products could cause loss of human life, bodily injury or damage to property.  
In developing your designs, please ensure that TOSHIBA products are used within specified operating ranges as set forth in the most recent TOSHIBA products specifications. Also, please keep in mind the precautions and conditions set forth in the "Handling Guide for Semiconductor Devices," or "TOSHIBA Semiconductor Reliability Handbook" etc..
- The TOSHIBA products listed in this document are intended for usage in general electronics applications (computer, personal equipment, office equipment, measuring equipment, industrial robotics, domestic appliances, etc.). These TOSHIBA products are neither intended nor warranted for usage in equipment that requires extraordinarily high quality and/or reliability or a malfunction or failure of which may cause loss of human life or bodily injury ("Unintended Usage"). Unintended Usage include atomic energy control instruments, airplane or spaceship instruments, transportation instruments, traffic signal instruments, combustion control instruments, medical instruments, all types of safety devices, etc.. Unintended Usage of TOSHIBA products listed in this document shall be made at the customer's own risk.
- The products described in this document are subject to the foreign exchange and foreign trade laws.
- The information contained herein is presented only as a guide for the applications of our products. No responsibility is assumed by TOSHIBA CORPORATION for any infringements of intellectual property or other rights of the third parties which may result from its use. No license is granted by implication or otherwise under any intellectual property or other rights of TOSHIBA CORPORATION or others.
- The information contained herein is subject to change without notice.