

TC9273N, TC9273F, TC9274N, TC9274F

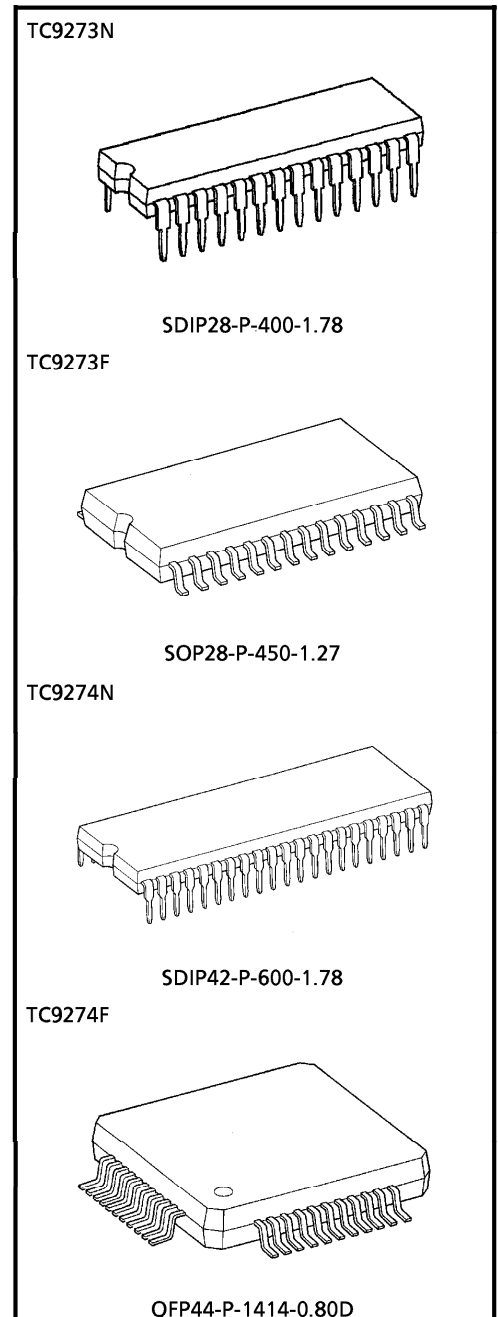
ANALOG SWITCH ARRAY ICs

TC9273N, TC9273F, TC9274N and TC9274F are analog switch array ICs developed for use in audio equipment such as home stereo sets. Switch connection layouts can be customized for different sets, thus simplifying the external wiring.

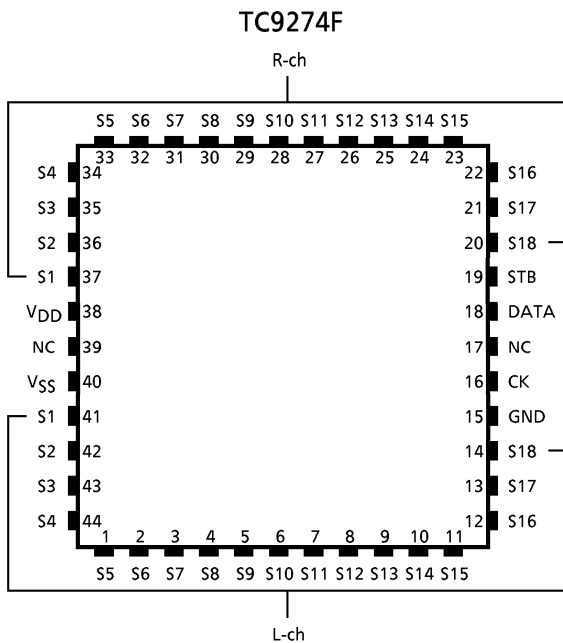
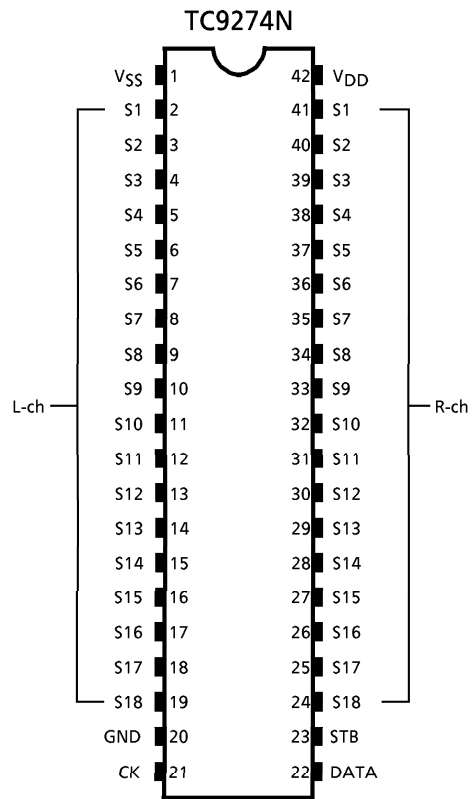
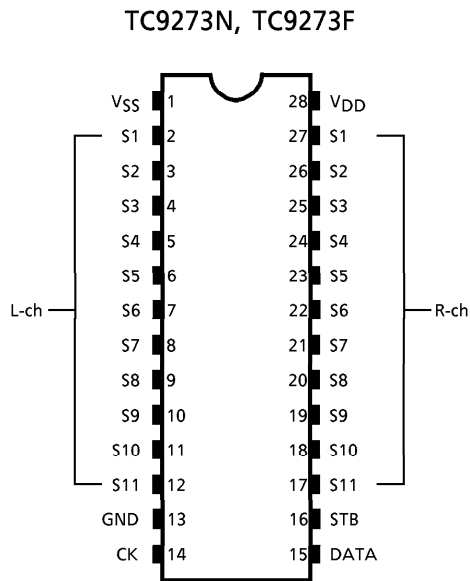
FEATURES

- 10 analog switches × 2 channels built in : TC9273N
TC9273F
- 18 analog switches × 2 channels built in : TC9274N
TC9274F
- An aluminum mask process allows switch connections to be customized.
- Switches are controlled by serial data.
- Built-in 5V microcomputer interface.
- Shrink DIP or flat package.

Weight	
SDIP28-P-400-1.78	: 2.2g (Typ.)
SOP28-P-450-1.27	: 0.8g (Typ.)
SDIP42-P-600-1.78	: 4.2g (Typ.)
QFP44-P-1414-0.80D	: 1.1g (Typ.)

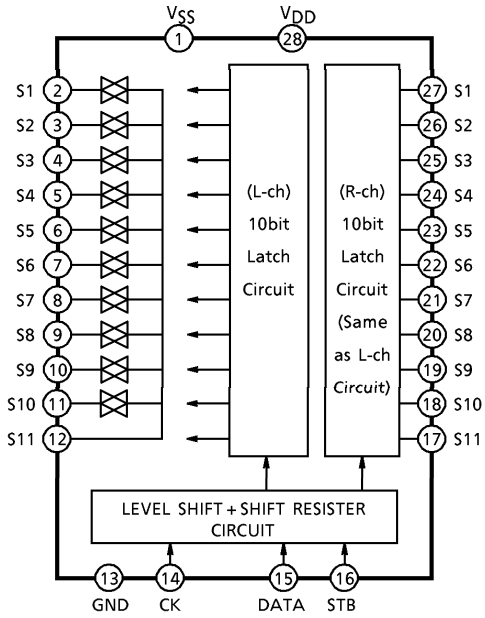


PIN CONNECTION (TOP VIEW)

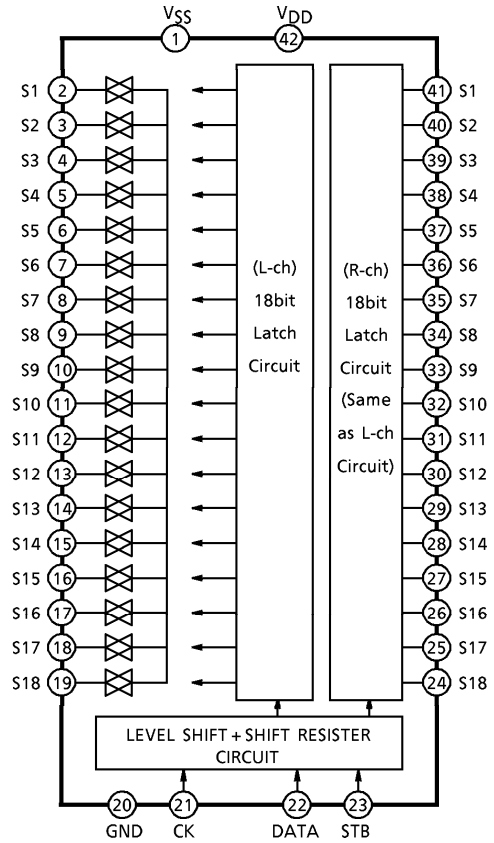


BLOCK DIAGRAM

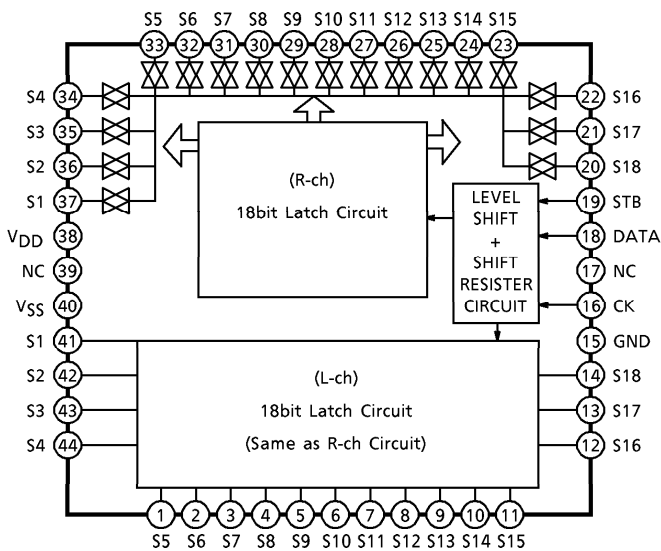
TC9273N, TC9273F



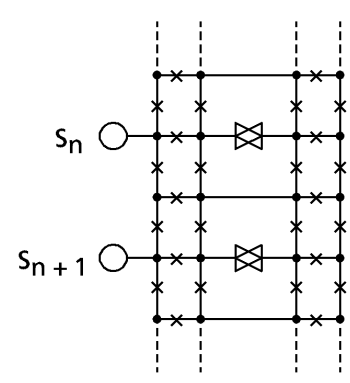
TC9274N



TC9274F



PIN FUNCTION (Left channel / right channel)

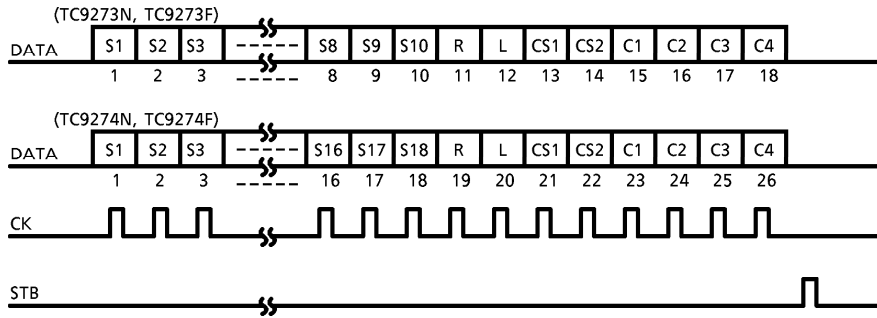
PIN No.			SYMBOL	PIN NAME	FUNCTION AND OPERATION	NOTE
TC9273N / F	TC9274N	TC9274F				
1	1	40	V _{SS}	Negative power supply pin	Dual power supply $\begin{cases} V_{DD} = 8.0 \sim 17V \\ GND = 0V \\ V_{SS} = -8.0 \sim -17V \end{cases}$	—
13	20	16	GND	Digital ground pin		
28	42	38	V _{DD}	Positive power supply pin		
2 / 27	2 / 41	41 / 37	S1	Input / output pins	Analog switch input pins. 	—
3 / 26	3 / 40	42 / 36	S2			
4 / 25	4 / 39	43 / 35	S3			
5 / 24	5 / 38	44 / 34	S4			
6 / 23	6 / 37	1 / 33	S5			
7 / 22	7 / 36	2 / 32	S6			
8 / 21	8 / 35	3 / 31	S7			
9 / 20	9 / 34	4 / 30	S8			
10 / 19	10 / 33	5 / 29	S9			
11 / 18	11 / 32	6 / 28	S10			
12 / 17	12 / 31	7 / 27	S11			
—	13 / 30	8 / 26	S12			
—	14 / 29	9 / 25	S13			
—	15 / 28	10 / 24	S14			
—	16 / 27	11 / 23	S15			
—	17 / 26	12 / 22	S16			
—	18 / 25	13 / 21	S17			
—	19 / 24	14 / 20	S18			
—	—	17 / 39	NC	Not connected	—	—
14	21	16	CK	Clock input pin	Clock input for data transfer	Low threshold value input pins
15	22	18	DATA	Data input pin	Serial data input for setting switches	
16	23	19	STB	Strobe input pin	Strobe input for data writing	

OPERATION

1. Switch ON/OFF setting

The switches are set to ON or OFF using 18bit or 26bit serial data.

• Data format

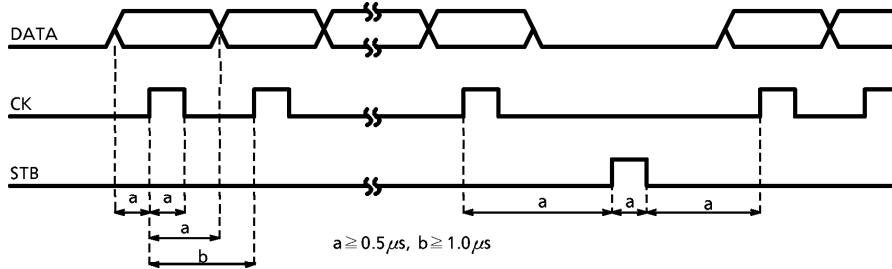


- 1) S₁~S₁₀~S₁₈ : Switch control data
When S_n = 1, S_n is set to ON ; when S_n = 0, to OFF.
- 2) R and L : Channel select data
When R = 1, right-channel switches are set ; when L = 1, left-channel switches are set.
(When R = L = 1, both channel switches are set simultaneously.)
- 3) CS1 and CS2 : Sub-code data
The sub-code data are customized.
- 4) C₁~C₄ : Chip select data (fixed)

IC NAME	C ₁	C ₂	C ₃	C ₄
TC9273N, TC9273F	0	0	1	0
TC9274N, TC9274F	1	0	1	0

2. Serial data timing

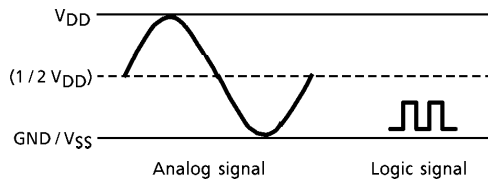
Input the CK, DATA and STB signals at the following timing.



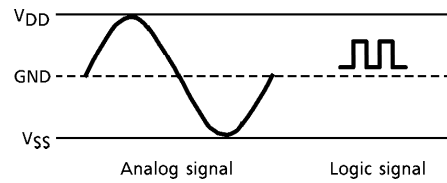
3. One and dual power supply operation

TC9273N, TC9273F, TC9274N and TC9274F can operate with one or dual power supply. With single or dual power supply, serial data logic level can be 0 – 5V.

● Single power supply operation



● Dual power supply operation



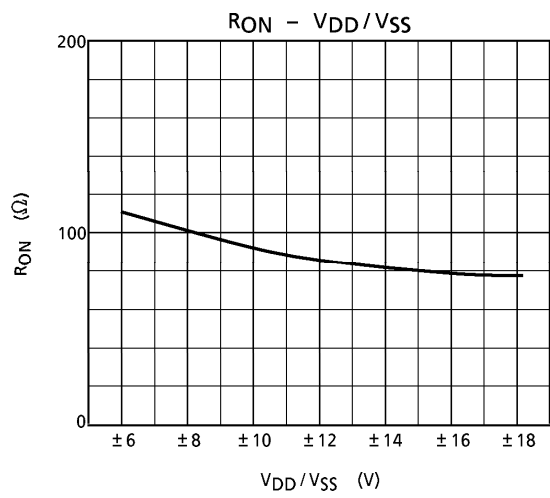
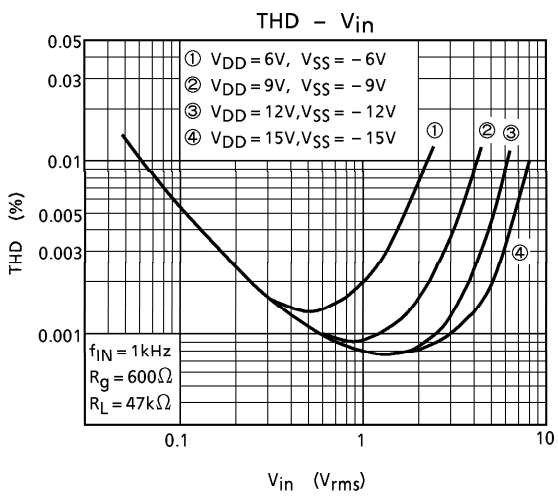
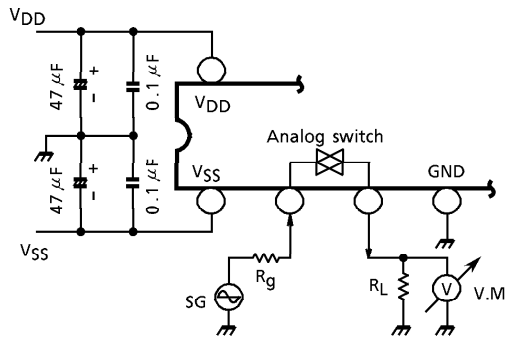
MAXIMUM RATINGS (Ta = 25°C)

CHARACTERISTIC	SYMBOL	RATING	UNIT
Power Supply Voltage (1)	V _{DD} - V _{SS}	- 0.3~36	V
Power Supply Voltage (2)	V _{DD} - GND	- 0.3~20	V
GND Input Voltage	V _{IN} (1)	- 0.3~V _{DD} + 0.3	V
V _{SS} Input Voltage	V _{IN} (2)	V _{SS} - 0.3~V _{DD} + 0.3	V
Power Dissipation	P _D	300	mW
Operating Temperature	T _{opr}	- 40~85	°C
Storage Temperature	T _{stg}	- 65~150	°C

ELECTRICAL CHARACTERISTICS (Unless otherwise specified, V_{DD} = 15V, V_{SS} = - 15V, GND = 0V, Ta = 25°C)

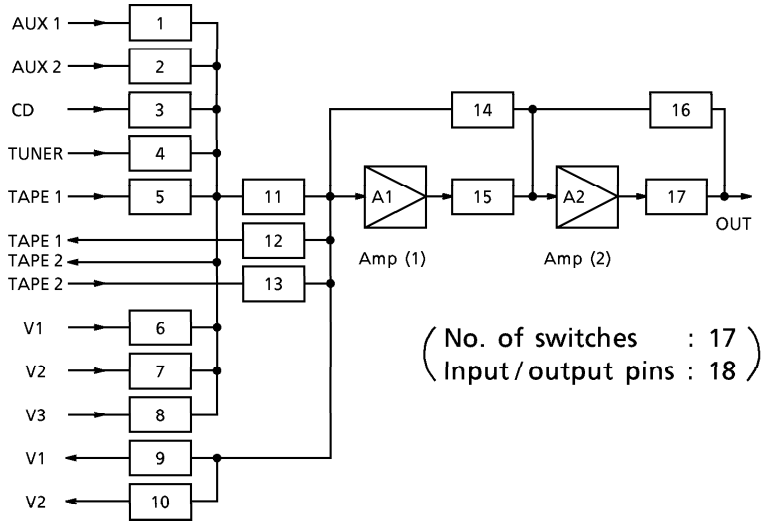
CHARACTERISTIC	SYMBOL	TEST CIRCUIT	TEST CONDITION	MIN.	TYP.	MAX.	UNIT
Operating Supply Voltage (1)	V _{DD} - V _{SS}	—	Dual power supplying	16	~	34	V
Operating Supply Voltage (2)	V _{DD} - GND	—	Single power supplying	8	~	18	V
Operating Supply Current	I _{DD}	—	No-load, No-input	—	0.01	0.1	mA
Input Voltage	"H" Level	V _{IH}	CK, DATA, STB Terminal V _{DD} = 8~18V	4.0	~	V _{DD}	V
	"L" Level	V _{IL}		GND	~	1.0	
Input Current	"H" Level	I _{IH}	CK, DATA, STB Terminal	V _{IH} = 15V V _{IL} = 0V	~	1.0	μA
	"L" Level	I _{IL}			- 1.0	~	
Operating Frequency	f _{op}	—	CK, DATA, STB Terminal	0	~	1.0	MHz
Operating Minimum Clock Wide	T _{ck}	—		0.5	—	—	μs
Switch-on Resistance	R _{ON}	—	Internal analog switch	—	80	100	Ω
Analog Switch OFF Leak	I _{OFF}	—		- 0.1	~	0.1	μA
Total Harmonic Distortion	THD	1	f _{IN} = 1kHz, V _{IN} = 1V _{rms} R _g = 600Ω, R _L = 47kΩ BW = 20Hz~50kHz	—	0.001	—	%
Noise Output Voltage	V _N			—	1.0	—	μV _{rms}
Crosstalk	C·T			—	100	—	dB

TEST CIRCUIT 1 (THD/V_N/C·T)

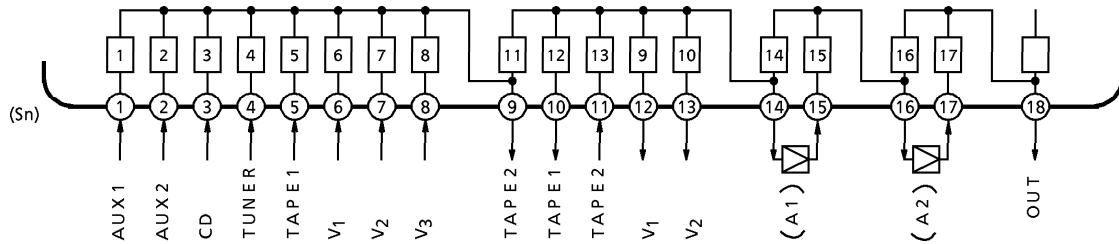


APPLICATION CIRCUIT

1) Typical switch connection for an application set. (N : Switch number)

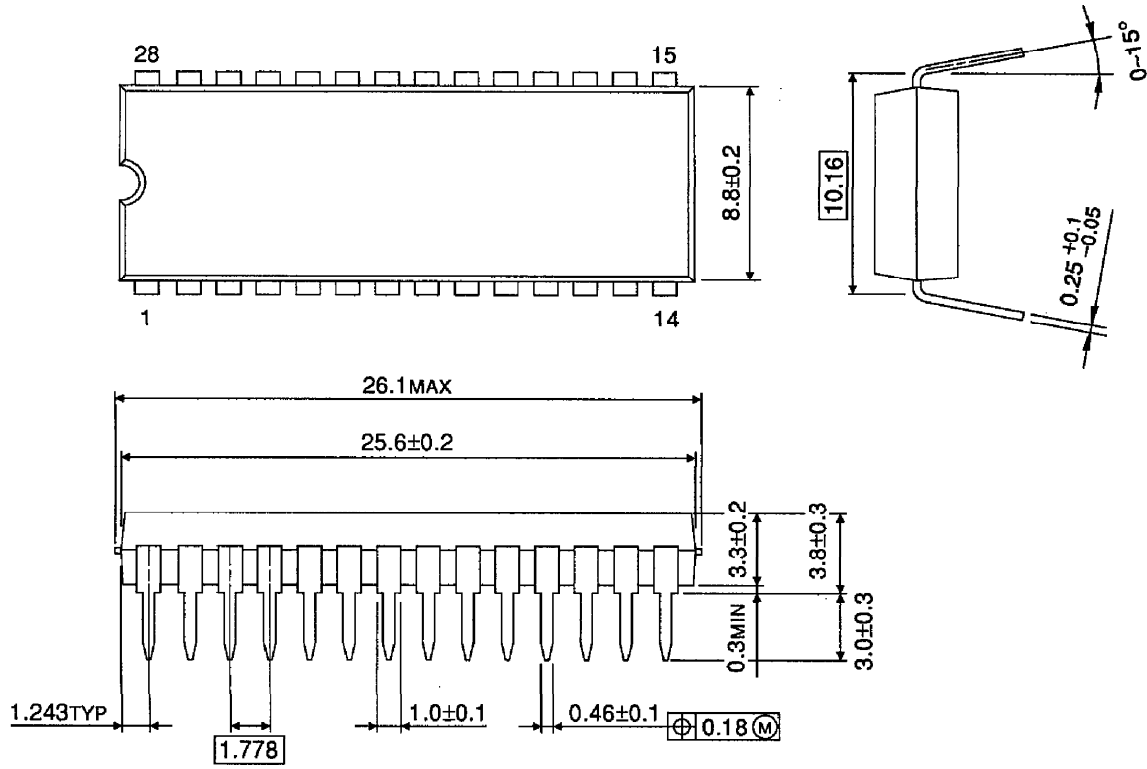


2) Typical switch array for the circuit above.



PACKAGE DIMENSIONS
SDIP28-P-400-1.78

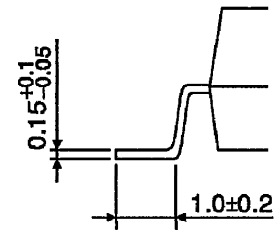
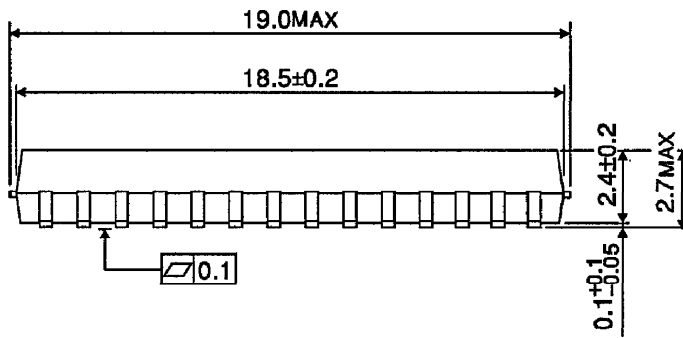
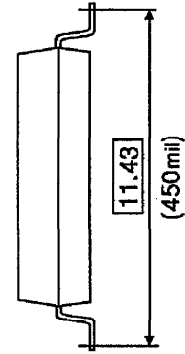
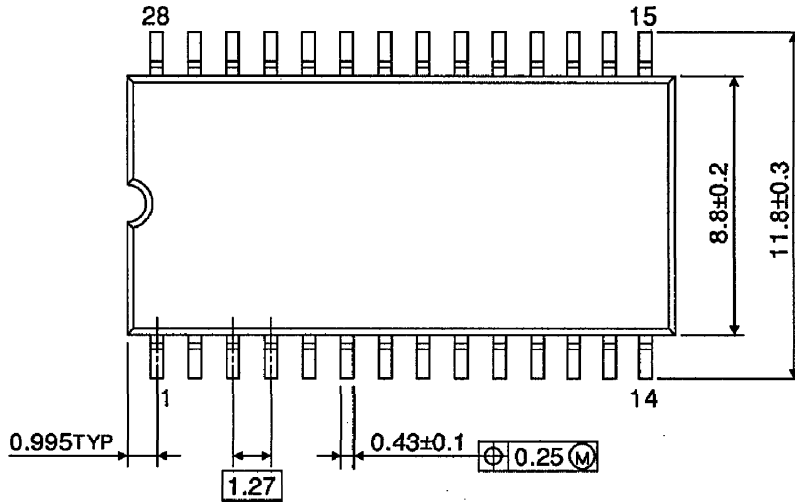
Unit : mm



Weight : 2.2g (Typ.)

PACKAGE DIMENSIONS
SOP28-P-450-1.27

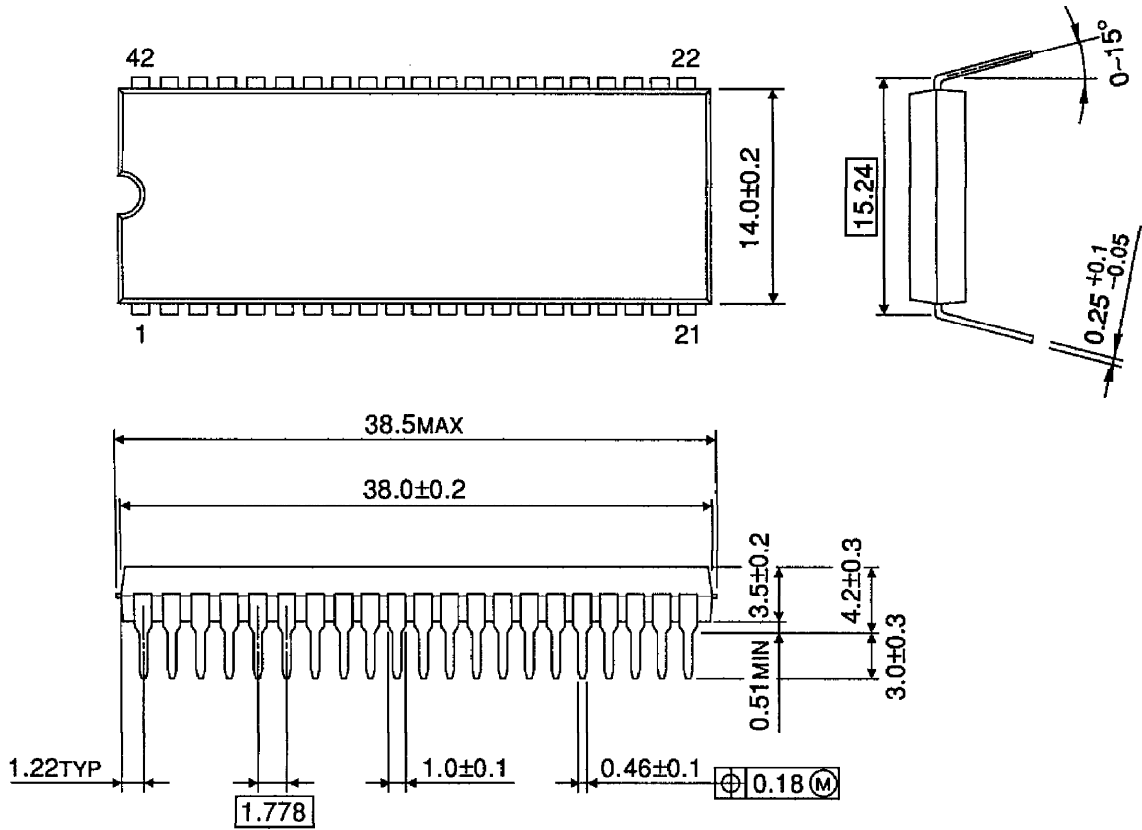
Unit : mm



Weight : 0.8g (Typ.)

PACKAGE DIMENSIONS
SDIP42-P-600-1.78

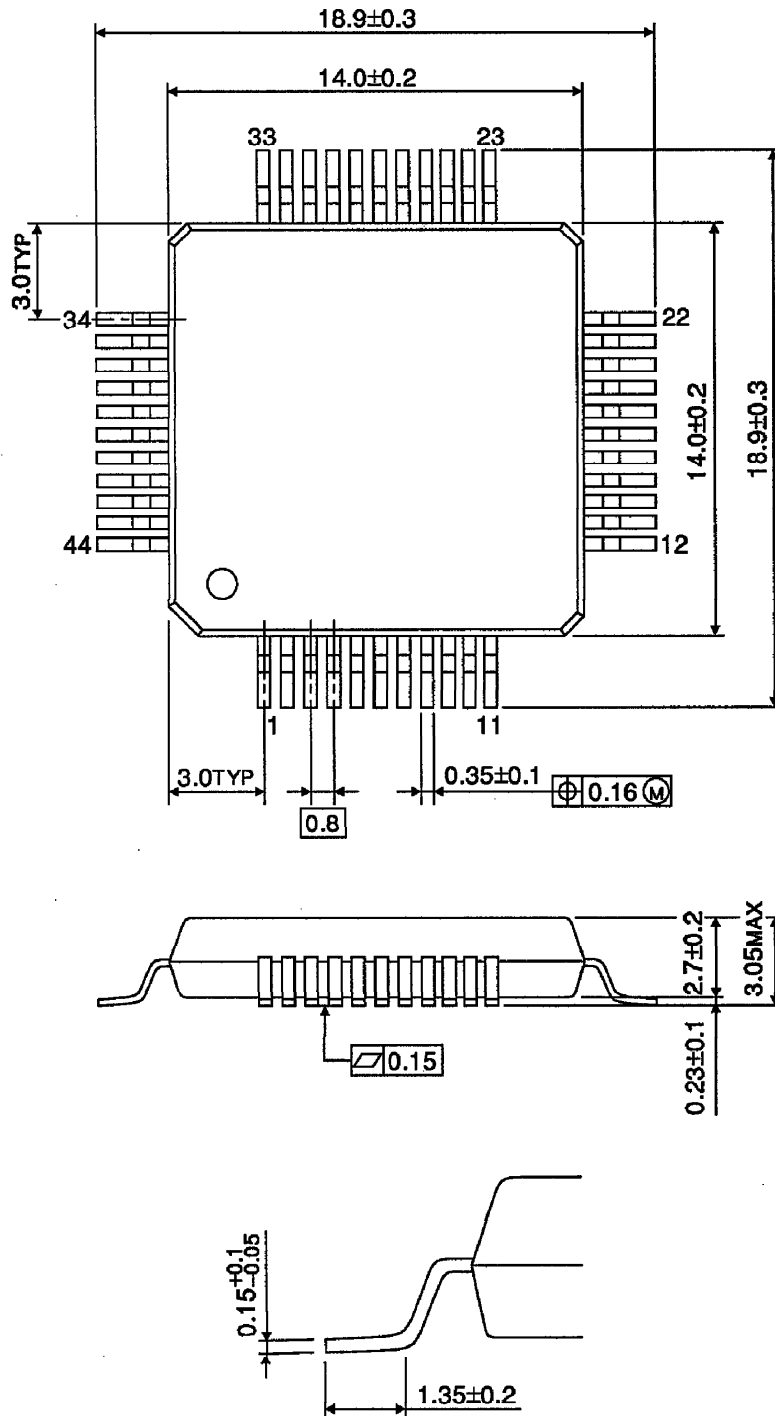
Unit : mm



Weight : 4.2g (Typ.)

PACKAGE DIMENSIONS
QFP44-P-1414-0.80D

Unit : mm



Weight : 1.1g (Typ.)

RESTRICTIONS ON PRODUCT USE

000707EBA

- TOSHIBA is continually working to improve the quality and reliability of its products. Nevertheless, semiconductor devices in general can malfunction or fail due to their inherent electrical sensitivity and vulnerability to physical stress. It is the responsibility of the buyer, when utilizing TOSHIBA products, to comply with the standards of safety in making a safe design for the entire system, and to avoid situations in which a malfunction or failure of such TOSHIBA products could cause loss of human life, bodily injury or damage to property. In developing your designs, please ensure that TOSHIBA products are used within specified operating ranges as set forth in the most recent TOSHIBA products specifications. Also, please keep in mind the precautions and conditions set forth in the "Handling Guide for Semiconductor Devices," or "TOSHIBA Semiconductor Reliability Handbook" etc..
- The TOSHIBA products listed in this document are intended for usage in general electronics applications (computer, personal equipment, office equipment, measuring equipment, industrial robotics, domestic appliances, etc.). These TOSHIBA products are neither intended nor warranted for usage in equipment that requires extraordinarily high quality and/or reliability or a malfunction or failure of which may cause loss of human life or bodily injury ("Unintended Usage"). Unintended Usage include atomic energy control instruments, airplane or spaceship instruments, transportation instruments, traffic signal instruments, combustion control instruments, medical instruments, all types of safety devices, etc.. Unintended Usage of TOSHIBA products listed in this document shall be made at the customer's own risk.
- The products described in this document are subject to the foreign exchange and foreign trade laws.
- The information contained herein is presented only as a guide for the applications of our products. No responsibility is assumed by TOSHIBA CORPORATION for any infringements of intellectual property or other rights of the third parties which may result from its use. No license is granted by implication or otherwise under any intellectual property or other rights of TOSHIBA CORPORATION or others.
- The information contained herein is subject to change without notice.