

**TC9304F-051****SINGLE CHIP DTS MICRO CONTROLLER (DTS-10)**

TC9304F-051 is a single chip digital tuning system for car audio use.

Having the capability corresponding to the requirement of the whole world with the abundant specification selecting jumpers, this system is provided with the functions for two bands or three bands, clock and tape.

**FEATURES**

## ○ Receiving band

AREA	CODE		BAND	RECEIVING BAND [Hz]	STEP [Hz]	FREF [Hz]	IF [Hz]
	E0	E1					
Europe	0	0	FM	87.50~108.00M	50k	25k	+ 10.7M
			MW	531~ 1602k	9k	9k	(*1) + 450k
			LW	153 / 155~279 / 281k	(*2) 1k / 9k	1k	
USA	1	0	FM	87.5~ 107.9M	200k	25k	+ 10.7M
			MW	530~ 1710k	10k	10k	+ 450k
Japan	0	1	FM	76.1~ 89.9M	100k	25k	- 10.7M
			MW	522~ 1629k	9k	9k	+ 450k
South Africa	1	1	FM	87.50~108.00M	50k	25k	- 10.7M
			MW	531~ 1602k	9k	9k	+ 450k

(\*1) MW and LW are operating as one band. LW stop frequency is can be selected.  
 UP ...LW 279 / 281kHz ...→ MW 531kHz ...→ MW 1602kHz ...→ LW 153 / 155kHz...  
 DOWN...MW 1602kHz ←... LW 153 / 155kHz ←... LW 279 / 281kHz ←... MW 531kHz...

(\*2) LW manual tuning ; 153~281kHz  
 LW auto tuning (Stop frequency 9N) ; 153~279kHz  
 LW auto tuning (Stop frequency 9N + 2) ; 155~281kHz

## ○ Tuning function

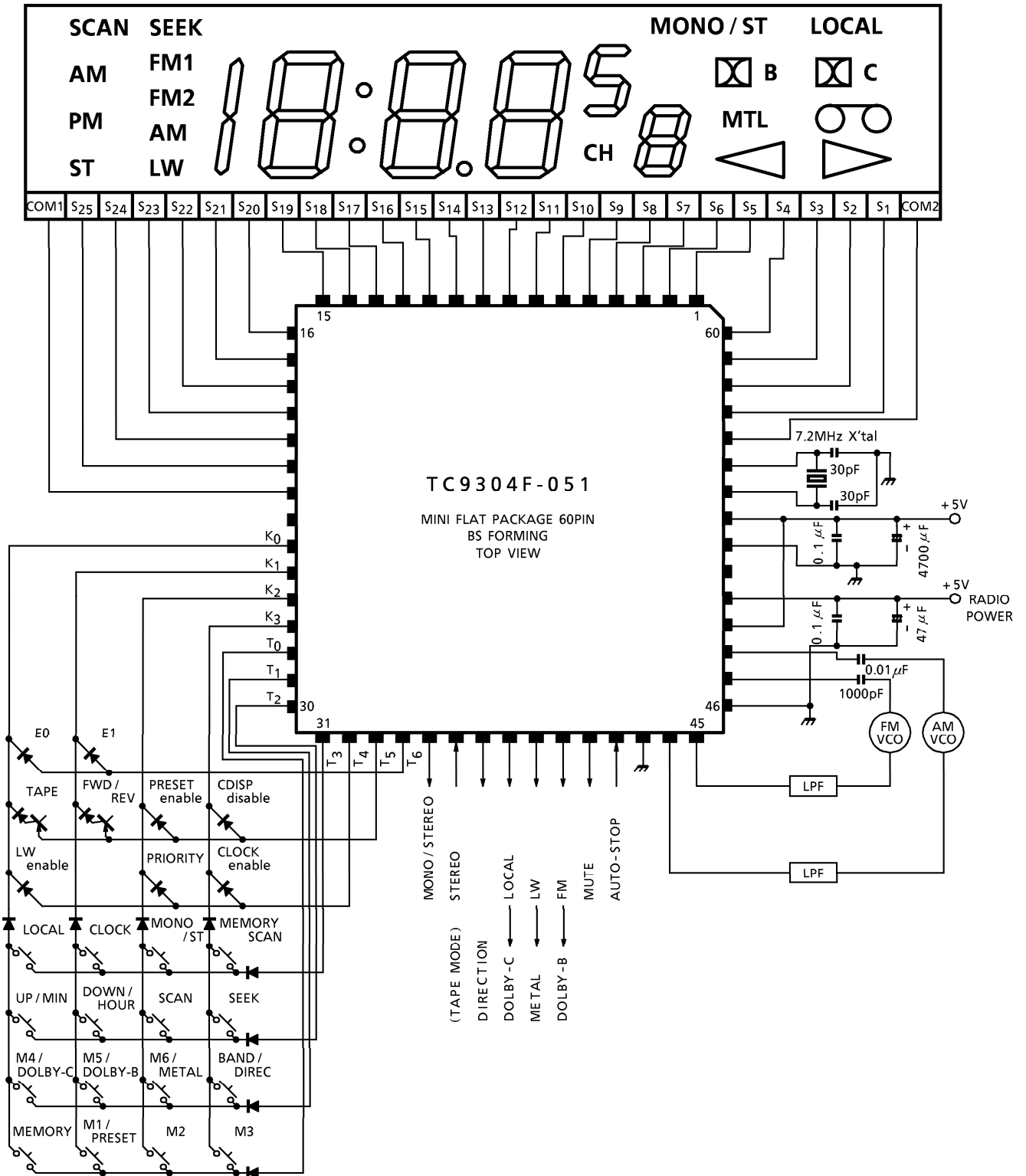
- Manual UP/DOWN tuning
- Auto-search tuning (SEEK)
- Hold-search tuning (SCAN)
- Memory scan tuning
- LW stop frequency on SEEK / SCAN selector

○ Memory function

- Each band (FM1, FM2, MW/LW) : 6 stations, 3 bands × 6 stations = 18 stations max.  
But the receiving range of each band of FM1 and FM2 are the same.
- Auto-memory function
- Preset method can be chosen 1 key type or 6 keys type.

○ Others

- Clock function is optional.
- Clock display is optional at radio off mode.
- The abundant function switches and display for tape deck control.



**RESTRICTIONS ON PRODUCT USE**

000707EBA

- TOSHIBA is continually working to improve the quality and reliability of its products. Nevertheless, semiconductor devices in general can malfunction or fail due to their inherent electrical sensitivity and vulnerability to physical stress. It is the responsibility of the buyer, when utilizing TOSHIBA products, to comply with the standards of safety in making a safe design for the entire system, and to avoid situations in which a malfunction or failure of such TOSHIBA products could cause loss of human life, bodily injury or damage to property. In developing your designs, please ensure that TOSHIBA products are used within specified operating ranges as set forth in the most recent TOSHIBA products specifications. Also, please keep in mind the precautions and conditions set forth in the "Handling Guide for Semiconductor Devices," or "TOSHIBA Semiconductor Reliability Handbook" etc..
- The TOSHIBA products listed in this document are intended for usage in general electronics applications (computer, personal equipment, office equipment, measuring equipment, industrial robotics, domestic appliances, etc.). These TOSHIBA products are neither intended nor warranted for usage in equipment that requires extraordinarily high quality and/or reliability or a malfunction or failure of which may cause loss of human life or bodily injury ("Unintended Usage"). Unintended Usage include atomic energy control instruments, airplane or spaceship instruments, transportation instruments, traffic signal instruments, combustion control instruments, medical instruments, all types of safety devices, etc.. Unintended Usage of TOSHIBA products listed in this document shall be made at the customer's own risk.
- The products described in this document are subject to the foreign exchange and foreign trade laws.
- The information contained herein is presented only as a guide for the applications of our products. No responsibility is assumed by TOSHIBA CORPORATION for any infringements of intellectual property or other rights of the third parties which may result from its use. No license is granted by implication or otherwise under any intellectual property or other rights of TOSHIBA CORPORATION or others.
- The information contained herein is subject to change without notice.