

TC9308AF-022

DTS MICRO CONTROLLER (DTS-11)

The TC9308AF-022, in combination with the prescaler TD6134AF, is capable of composing a digital tuning system that is optimum to such portable equipment as pocket radio, headphone stereo and the like.

Receiving frequency bands are 3 bands of FM/AM/VHF TV for shipment the Japan and 2 bands of FM/AM for shipment to other areas than Japan.

FEATURES

○ Receiving frequency bands

AREA	CODE		9k/10k	BAND	RECEIVING FREQUENCY [Hz]	STEP [Hz]	FREF [Hz]	IF [Hz]
	E0	E1						
Japan	0	0	—	TV	4~12ch	1ch	6.25k	- 10.7M
					1~3ch	1ch	12.5k	
			0	MW	530~1610k	10k	5k	+ 450k
			1		522~1629k	9k	3k	
U.S.A	0	1	—	FM	87.5~108.0M	100k	12.5k	+ 10.7M
			0	MW	530~1710k	10k	5k	+ 450k
			1		531~1602k	9k	3k	
Europe 1	1	0	—	FM	87.50~108.00M	50k	12.5k	+ 10.7M
Europe 2	1	1	0	MW	530~1610k	10k	5k	+ 450k
			1		531~1602k	9k	3k	

In Europe area, Clock display is as shown below.

E0	E1	CLOCK DISPLAY
1	0	12 hour
1	1	24 hour

○ Tuning function

- Manual up/down tuning : 1 step/1 push tuning
- Auto tuning (seek system) : Continuous pushing the key automatically shifts to Auto Mode.
- IF count type auto stop system in combination with the TA8132AF has been adopted.

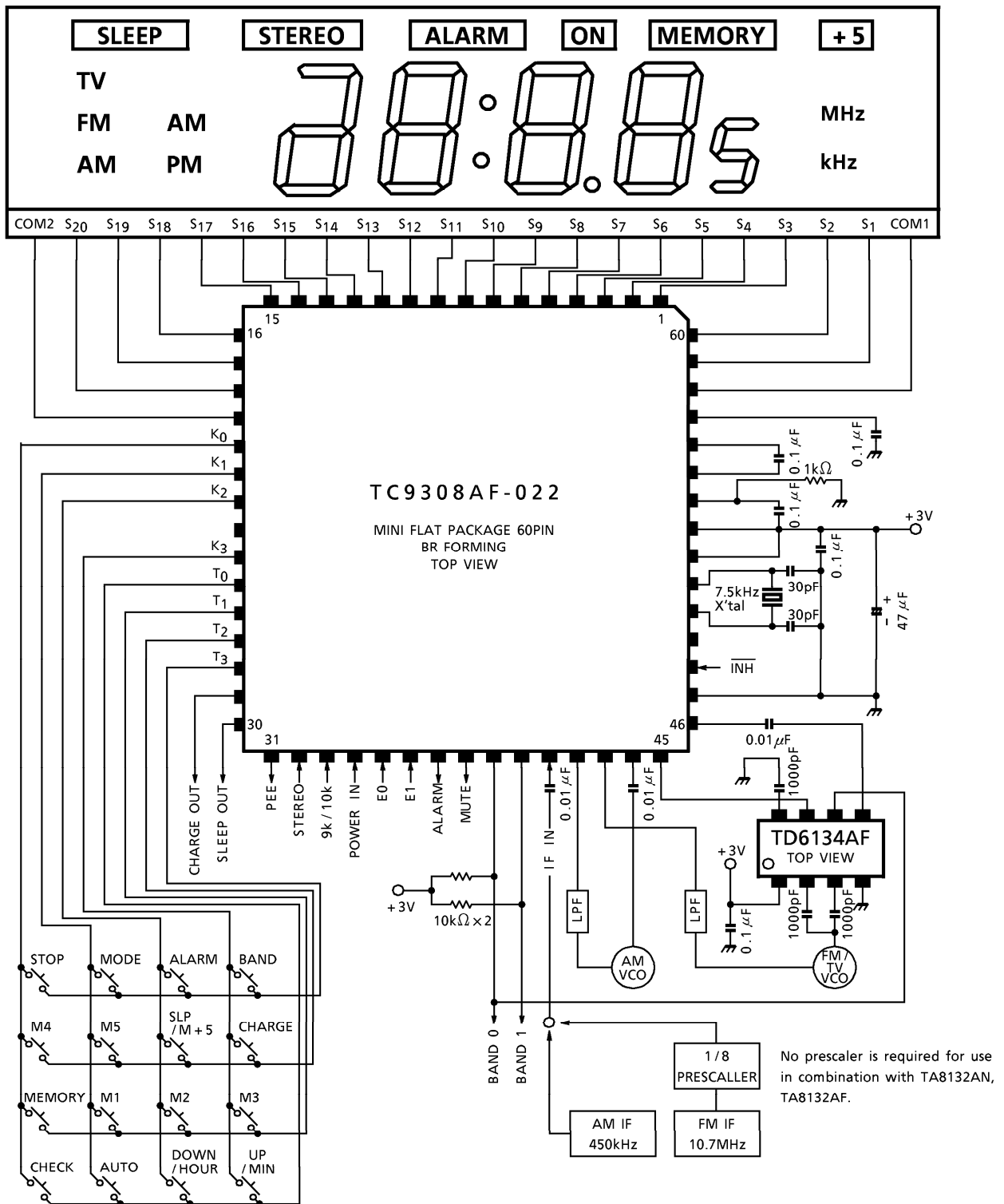
○ Memory function

- Japan : FM/AM/TV each 5 stations
- Overseas : FM/AM random 10 stations
- Semi-auto memory function

○ Other functions

- Clock function 12-hour The other (E0 = 1, E1 = 1) area
 24-hour Only (E0 = 1, E1 = 1) area
- Alarm function
- 60 min. sleep timer (Japanese specification only)
- Battery charging timer function
- Beep sound output

TC9308AF-022 Layout (With prescaler : TD6134AF)



RESTRICTIONS ON PRODUCT USE

000707EBA

- TOSHIBA is continually working to improve the quality and reliability of its products. Nevertheless, semiconductor devices in general can malfunction or fail due to their inherent electrical sensitivity and vulnerability to physical stress. It is the responsibility of the buyer, when utilizing TOSHIBA products, to comply with the standards of safety in making a safe design for the entire system, and to avoid situations in which a malfunction or failure of such TOSHIBA products could cause loss of human life, bodily injury or damage to property. In developing your designs, please ensure that TOSHIBA products are used within specified operating ranges as set forth in the most recent TOSHIBA products specifications. Also, please keep in mind the precautions and conditions set forth in the "Handling Guide for Semiconductor Devices," or "TOSHIBA Semiconductor Reliability Handbook" etc..
- The TOSHIBA products listed in this document are intended for usage in general electronics applications (computer, personal equipment, office equipment, measuring equipment, industrial robotics, domestic appliances, etc.). These TOSHIBA products are neither intended nor warranted for usage in equipment that requires extraordinarily high quality and/or reliability or a malfunction or failure of which may cause loss of human life or bodily injury ("Unintended Usage"). Unintended Usage include atomic energy control instruments, airplane or spaceship instruments, transportation instruments, traffic signal instruments, combustion control instruments, medical instruments, all types of safety devices, etc.. Unintended Usage of TOSHIBA products listed in this document shall be made at the customer's own risk.
- The products described in this document are subject to the foreign exchange and foreign trade laws.
- The information contained herein is presented only as a guide for the applications of our products. No responsibility is assumed by TOSHIBA CORPORATION for any infringements of intellectual property or other rights of the third parties which may result from its use. No license is granted by implication or otherwise under any intellectual property or other rights of TOSHIBA CORPORATION or others.
- The information contained herein is subject to change without notice.