

TOSHIBA CMOS DIGITAL INTEGRATED CIRCUIT SILICON MONOLITHIC

TC9316F-026**DIGITAL TUNING SYSTEM (DTS-11)**

The TC9316F-026 is a digital tuning system optimum for portable sets such as pocket radios, headphone stereo sets, etc... By combining TC9316F-026 with prescaler TD7101F or TD6134AF, 4-band of FM/MW/LW/SW are provided compatibly with worldwide destinations.

FEATURES

○ Receiving band

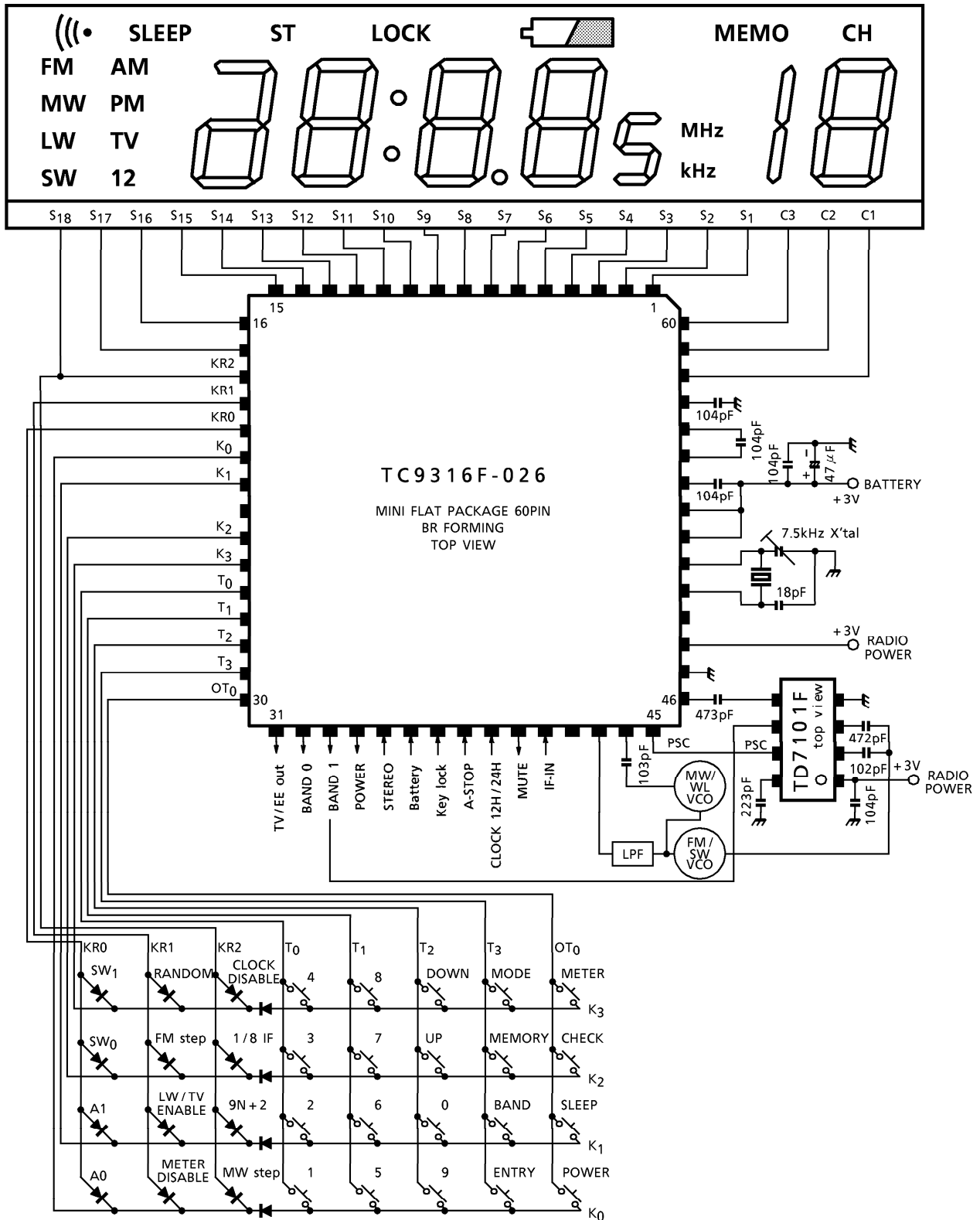
AREA	CODE		BAND	RECEIVING RANGE [Hz]	STEP [Hz]	FREF. [Hz]	IF [Hz]
	A1/SW1	A0/SW0					
U.S.A	0	*1 0	FM	87.5 ~ 108.0M	100 / 200k	12.5k	+ 10.7M
			MW	522 ~ 1620k	9k	3k	+ 450k
				520 ~ 1710k	10k	5k	
TV	2 ~ 13ch	1ch	6.25 / 12.5k	+ 10.7M			
General	0	1	FM	87.5 ~ 108.0M	50 / 100k	12.5k	+ 10.7M
			MW	522 ~ 1620k	9k	3k	+ 450k
				520 ~ 1620k	10k	5k	
LW	144 ~ 281k	1k	1k				
Europe East / Europe *2	1	0	FM	64.0 ~ 75.0M	50k	12.5k	+ 10.7M
				87.5 ~ 108.0M	50k	12.5k	+ 10.7M
			MW	522 ~ 1620k	9k	3k	+ 450k
				520 ~ 1620k	10k	5k	
LW	144 ~ 281k	1k	1k				
Japan	1	1	FM	76.0 ~ 108.0M	50 / 100k	12.5k	- 10.7M
			MW	522 ~ 1629k	9k	3k	+ 450k
				520 ~ 1620k	10k	5k	
TV	1 ~ 12ch	1ch	6.25 / 12.5k	- 10.7M			
—	0	1	SW	5.95 ~ 15.6M	5k	5k	+ 450k
	1	0		3.8 ~ 12.5M			
	1	1		2.3 ~ 7.3M			
				9.5 ~ 26.1M			

*1 If step is 200kHz, range is 87.5~108.1MHz.

*2 The frequency range of FM in Europe area is according to FM STEP jumper.

- Tuning function
 - Manual tuning
 - Seek tuning
 - SW meter band scan
 - Direct frequency input function
- Memory function
 - Fixed FM / MW / LW (SW1) / SW (SW2) Each band 6 stations
 - Random 15 stations
- Direct key in of frequency
- Sleep function
- Clock function (12H/24H)

TC9316F-026 Layout



RESTRICTIONS ON PRODUCT USE

000707EBA

- TOSHIBA is continually working to improve the quality and reliability of its products. Nevertheless, semiconductor devices in general can malfunction or fail due to their inherent electrical sensitivity and vulnerability to physical stress. It is the responsibility of the buyer, when utilizing TOSHIBA products, to comply with the standards of safety in making a safe design for the entire system, and to avoid situations in which a malfunction or failure of such TOSHIBA products could cause loss of human life, bodily injury or damage to property. In developing your designs, please ensure that TOSHIBA products are used within specified operating ranges as set forth in the most recent TOSHIBA products specifications. Also, please keep in mind the precautions and conditions set forth in the "Handling Guide for Semiconductor Devices," or "TOSHIBA Semiconductor Reliability Handbook" etc..
- The TOSHIBA products listed in this document are intended for usage in general electronics applications (computer, personal equipment, office equipment, measuring equipment, industrial robotics, domestic appliances, etc.). These TOSHIBA products are neither intended nor warranted for usage in equipment that requires extraordinarily high quality and/or reliability or a malfunction or failure of which may cause loss of human life or bodily injury ("Unintended Usage"). Unintended Usage include atomic energy control instruments, airplane or spaceship instruments, transportation instruments, traffic signal instruments, combustion control instruments, medical instruments, all types of safety devices, etc.. Unintended Usage of TOSHIBA products listed in this document shall be made at the customer's own risk.
- The products described in this document are subject to the foreign exchange and foreign trade laws.
- The information contained herein is presented only as a guide for the applications of our products. No responsibility is assumed by TOSHIBA CORPORATION for any infringements of intellectual property or other rights of the third parties which may result from its use. No license is granted by implication or otherwise under any intellectual property or other rights of TOSHIBA CORPORATION or others.
- The information contained herein is subject to change without notice.