

TOSHIBA BIPOLAR DIGITAL INTEGRATED CIRCUIT SILICON MONOLITHIC

TD62476P, TD62477P, TD62478P, TD62479P

2CH PERIPHERAL AND / NAND / OR / NOR DRIVERS

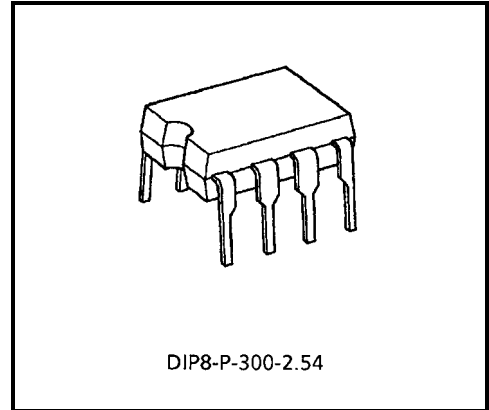
The TD62476P, TD62477P, TD62478P, TD62479P are comprised of two NPN single output stages and control inputs which can gate the outputs.

All units feature integral clamp diodes for switching inductive loads.

Applications include relay, hammer, lamp and display (LED) drivers.

FEATURES

- Output current (single output) 350 mA (Max)
- High sustaining voltage output 35 V (Min)
- Output clamp diodes
- Inputs compatible with TTL and 5 V CMOS
- Standard supply voltage
- Package type-P: DIP-8 pin

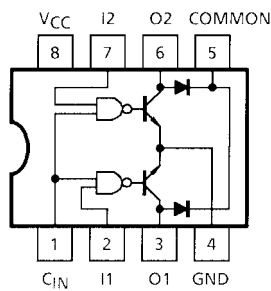


Weight: 0.45 g (Typ.)

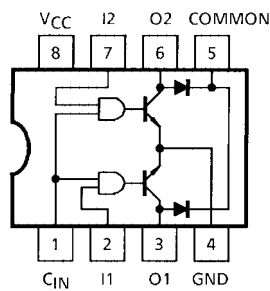
TD62476P			TD62477P			TD62478P			TD62479P		
INPUT		OUTPUT	INPUT		OUTPUT	INPUT		OUTPUT	INPUT		OUTPUT
C _{IN}	I		C _{IN}	I		C _{IN}	I		C _{IN}	I	
0	0	ON	0	0	OFF	0	0	ON	0	0	OFF
0	1	OFF	0	1	OFF	0	1	OFF	0	1	ON
1	0	OFF	1	0	OFF	1	0	OFF	1	0	ON
1	1	OFF	1	1	ON	1	1	OFF	1	1	ON

PIN CONNECTION (TOP VIEW)

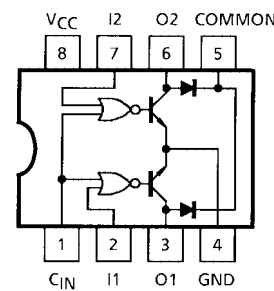
TD62476P



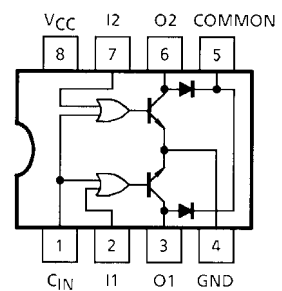
TD62477P



TD62478P

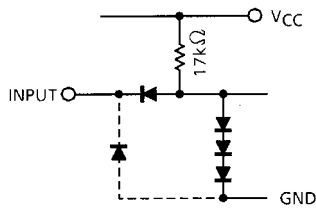


TD62479P

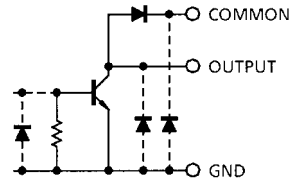


EQUIVALENT OF INPUTS AND OUTPUTS

Equivalent of inputs



Equivalent of outputs



Note: The input and output parasitic diodes cannot be used as clamp diodes.

MAXIMUM RATINGS (Ta = 25°C)

CHARACTERISTICS	SYMBOL	RATING	UNIT
Supply Voltage	V _{CC}	-0.5~7.0	V
Input Voltage	V _{IN}	-0.5~5.5	V
Output Sustaining Voltage	V _{CE (SUS)}	-0.5~35	V
Output Current	I _{OUT}	350	mA / ch
Clamp Diode Reverse Voltage	V _R	35	V
Clamp Diode Forward Current	I _F	300	mA
Power Dissipation	P _D (Note)	0.9	W
Operating Temperature	T _{opr}	-30~75	°C
Storage Temperature	T _{stg}	-55~150	°C

Note: Delated above 25°C in the proportion of 7.2 mW / °C.

RECOMMENDED OPERATING CONDITIONS (Ta = -30~75°C)

CHARACTERISTIC	SYMBOL	CONDITION	MIN	TYP.	MAX	UNIT
Supply Voltage	V _{CC}	—	4.5	5.0	5.5	V
Output Sustaining Voltage	V _{CE (SUS)}	—	0	—	35	V
Output Current	I _{OUT}	DC 1 Circuit	0	—	300	mA / ch
		DC 2 Circuits	0	—	200	
Input Voltage	V _{IN}	—	4.5	—	V _{CC}	V
Clamp Diode Reverse Voltage	V _R	—	—	—	35	V
Clamp Diode Forward Current	I _F	—	—	—	300	mA
Power Dissipation	P _D	—	—	—	0.4	W

ELECTRICAL CHARACTERISTICS (Ta = 25°C)

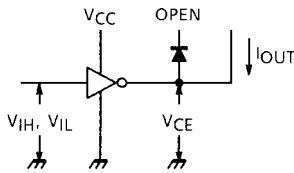
CHARACTERISTIC		SYMBOL	TEST CIR-CUIT	TEST CONDITION	MIN	TYP.	MAX	UNIT		
Input Voltage	"H" Level	V_{IH}	1	—	2.0	—	—	V		
	"L" Level	V_{IL}	1	—	—	—	0.8			
Output Current	"H" Level	I_{OH}	2	$V_{CC} = 4.5V, V_{IH} = 2.0V$ $V_{IL} = 0.8V, V_{OH} = 35V$	—	—	10	μA		
Output Voltage	"L" Level	V_{OL}	3	$V_{CC} = 4.5V$ $V_{IH} = 2.0V$ $V_{IL} = 0.8V$	$I_{OUT} = 100mA$	—	0.15	0.30	V	
					$I_{OUT} = 200mA$	—	0.28	0.45		
					$I_{OUT} = 300mA$	—	0.45	0.60		
Input Current	"H" Level	I_{IH}	4	$V_{CC} = 5.5V, V_{IN} = 5.5V$	—	—	10	μA		
	"L" Level	I	5	$V_{CC} = 5.5V, V_{IN} = 0.4V$	—	-0.26	-0.4	mA		
C_{IN}		—			-0.52	-0.8				
Clamp Diode Reverse Current		I_R	6	$V_{CC} = 4.5V, V_R = 35V$	—	—	10	μA		
Clamp Diode Forward Voltage		V_F	7	$V_{CC} = 4.5V, I_F = 300mA$	—	1.5	1.75	V		
Supply Current	Output Off	TD62476P	I_{CCH}	5	$V_{CC} = 5.5V$	$V_{IN} = 5V$	—	8.4	14	mA
		TD62477P				$V_{IN} = 0V$	—	0.6	0.85	
		TD62478P				$V_{IN} = 5V$	—	9	14	
		TD62479P				$V_{IN} = 0V$	—	1.1	1.8	
	Output On	TD62476P	I_{CCL}	4	$V_{CC} = 5.5V$	$V_{IN} = 5V$	—	38	55	
		TD62477P				$V_{IN} = 0V$	—	36	53	
		TD62478P				$V_{IN} = 5V$	—	39	56	
		TD62479P				$V_{IN} = 0V$	—	36	63	

SWITCHING CHARACTERISTICS (Ta = 25°C)

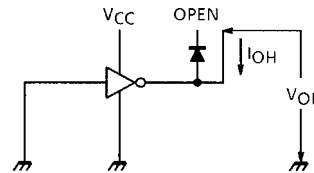
CHARACTERISTIC		SYMBOL	TEST CIR-CUIT	CONDITION	MIN	TYP.	MAX	UNIT
Propagation Delay Time	"H" Level	t_{pLH}	—	$C_L = 15pF, R_L = 120\Omega$	—	0.7	—	μs
	"L" Level	t_{pHL}	—		—	0.2	—	

TEST CIRCUIT

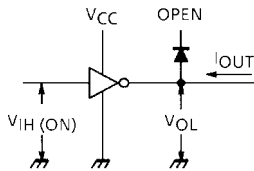
1. V_{IH}, V_{IL}



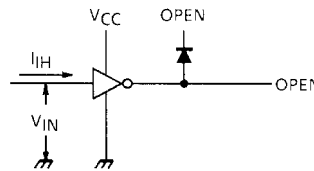
2. I_{OH}



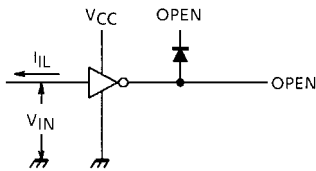
3. V_{OL}



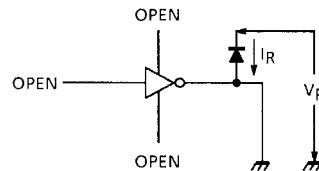
4. I_{IH}, I_{CCL}



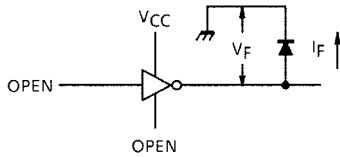
5. I_{IL}, I_{CCH}



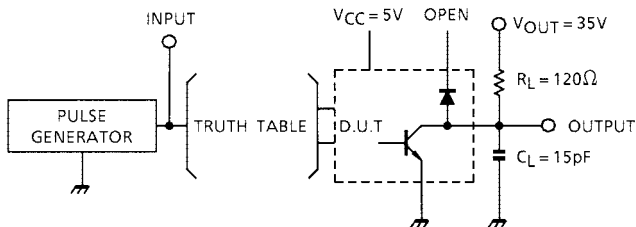
6. I_R



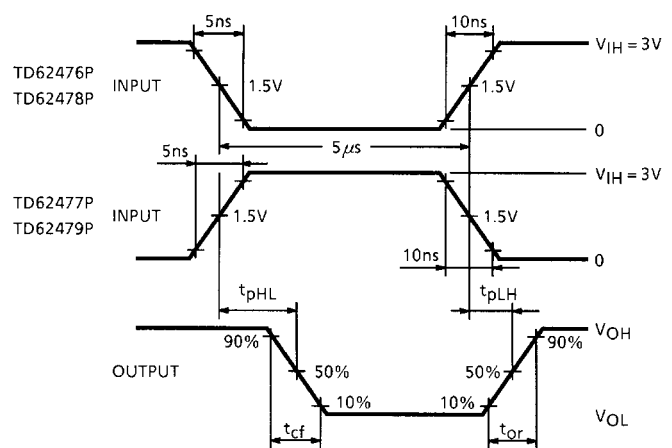
7. V_F



TEST CIRCUIT OF SWITCHING CHARACTERISTIC



TEST WAVEFORM



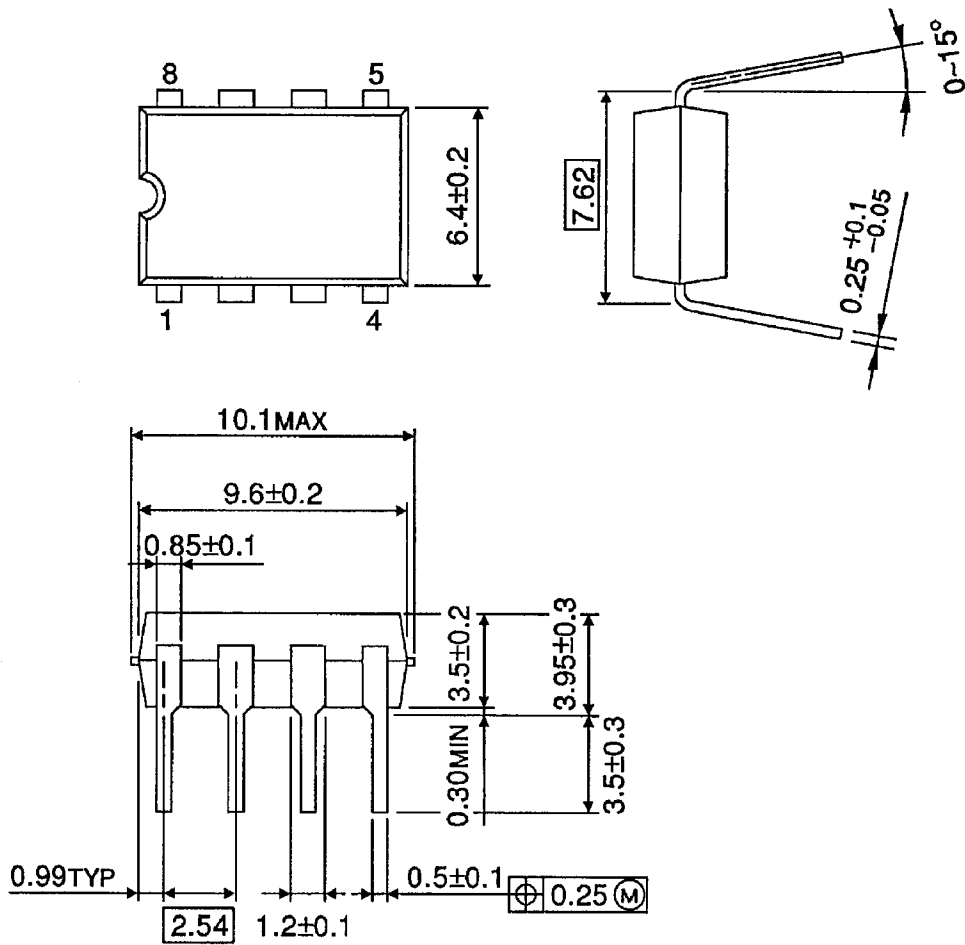
PRECAUTIONS for USING

This IC does not integrate protection circuits such as overcurrent and overvoltage protectors. Thus, if excess current or voltage is applied to the IC, the IC may be damaged. Please design the IC so that excess current or voltage will not be applied to the IC. Utmost care is necessary in the design of the output line, VCC, COMMON and GND line since IC may be destroyed due to short-circuit between outputs, air contamination fault, or fault by improper grounding

PACKAGE DIMENSIONS

DIP8-P-300-2.54

Unit: mm



Weight: 0.45 g (Typ.)

RESTRICTIONS ON PRODUCT USE

000707EBA

- TOSHIBA is continually working to improve the quality and reliability of its products. Nevertheless, semiconductor devices in general can malfunction or fail due to their inherent electrical sensitivity and vulnerability to physical stress. It is the responsibility of the buyer, when utilizing TOSHIBA products, to comply with the standards of safety in making a safe design for the entire system, and to avoid situations in which a malfunction or failure of such TOSHIBA products could cause loss of human life, bodily injury or damage to property.
In developing your designs, please ensure that TOSHIBA products are used within specified operating ranges as set forth in the most recent TOSHIBA products specifications. Also, please keep in mind the precautions and conditions set forth in the "Handling Guide for Semiconductor Devices," or "TOSHIBA Semiconductor Reliability Handbook" etc..
- The TOSHIBA products listed in this document are intended for usage in general electronics applications (computer, personal equipment, office equipment, measuring equipment, industrial robotics, domestic appliances, etc.). These TOSHIBA products are neither intended nor warranted for usage in equipment that requires extraordinarily high quality and/or reliability or a malfunction or failure of which may cause loss of human life or bodily injury ("Unintended Usage"). Unintended Usage include atomic energy control instruments, airplane or spaceship instruments, transportation instruments, traffic signal instruments, combustion control instruments, medical instruments, all types of safety devices, etc.. Unintended Usage of TOSHIBA products listed in this document shall be made at the customer's own risk.
- The products described in this document are subject to the foreign exchange and foreign trade laws.
- The information contained herein is presented only as a guide for the applications of our products. No responsibility is assumed by TOSHIBA CORPORATION for any infringements of intellectual property or other rights of the third parties which may result from its use. No license is granted by implication or otherwise under any intellectual property or other rights of TOSHIBA CORPORATION or others.
- The information contained herein is subject to change without notice.