

TD62583AP, TD62583F, TD62583AF

8CH SINGLE DRIVER

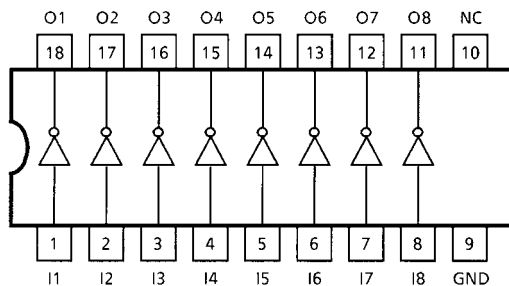
The TD62583AP / F / AF have a 2.7 kΩ series base resistor, and thus allows operation directly with TTL or CMOS operating at supply voltage of 5 V.

Applications include relay, hammer, lamp and display (LED) drivers.

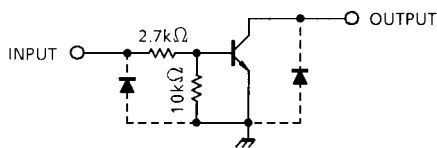
FEATURES

- Output current (single output) 50 mA (Max)
- High sustaining voltage output 35 V (Min) (TD62583F)
50 V (Min) (TD62583AP / AF)
- Low saturation voltage $V_{CE(sat)} = 0.4 \text{ V} @ I_C = 16 \text{ mA}$
- Inputs compatible with TTL, 5 V CMOS
- Package type-AP : DIP-18 pin
- Package type-F, AF : SOP-18 pin

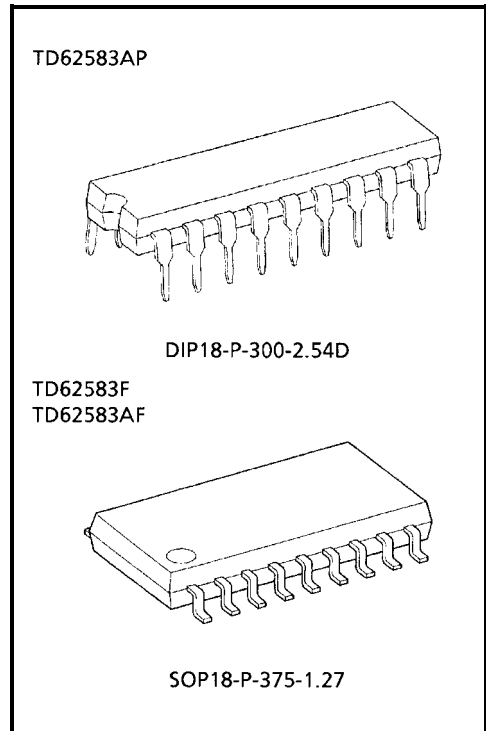
PIN CONNECTION (TOP VIEW)



SCHEMATICS (EACH DRIVER)



Note: The input and output parasitic diodes cannot be used as clamp diodes.



Weight
 DIP18-P-300-2.54D : 1.47 g (Typ.)
 SOP18-P-375-1.27 : 0.41 g (Typ.)

MAXIMUM RATINGS (Ta = 25°C)

CHARACTERISTIC		SYMBOL	RATING	UNIT
Output Sustaining Voltage	AP, AF	V _{CEO}	50	V
	F		35	
Output Current		I _{OUT}	50	mA / ch
Input Voltage		V _{IN}	10	V
Power Dissipation	AP	P _D	1.47	W
	F, AF		0.96	
Operating Temperature		T _{opr}	-40~85	°C
Storage Temperature		T _{stg}	-55~150	°C

RECOMMENDED OPERATING CONDITIONS (Ta = -40~85°C)

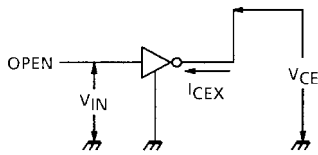
CHARACTERISTIC		SYMBOL	CONDITION	MIN	TYP.	MAX	UNIT
Output Sustaining Voltage	AP, AF	V _{CEO}	—	0	—	50	V
	F		—	0	—	35	
Output Current		I _{OUT}	—	0	—	30	mA / ch
Input Voltage		V _{IN}	—	0	—	7	V
	Output On	V _{IN (ON)}	—	3.5	—	7	
Power Dissipation	AP	P _D	—	—	—	0.52	W
	F, AF		—	—	—	0.4	

ELECTRICAL CHARACTERISTICS (Ta = 25°C)

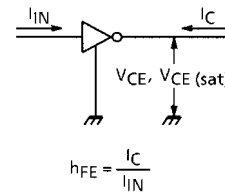
CHARACTERISTIC		SYMBOL	TEST CIRCUIT	TEST CONDITION	MIN	TYP.	MAX	UNIT
Output Leakage Current	AP, AF	I _{CEX}	1	V _{CE} = 50 V	—	—	10	μA
	F			V _{CE} = 35 V				
Output Saturation Voltage		V _{CE (sat)}	2	I _C = 16 mA, I _{IN} = 0.3 mA	—	0.2	0.4	V
				I _C = 30 mA, I _{IN} = 0.45 mA				
DC Current Transfer Ratio		h _{FE}	2	V _{CE} = 4 V, I _C = 30 mA	70	130	—	—
Input Current		I _{IN (ON)}	3	V _{IN} = 2.5 V, I _C = 16 mA	—	0.65	1.7	mA
Turn-On Delay	F	t _{ON}	4	V _{OUT} = 35 V, R _L = 0.87 kΩ	—	0.1	—	μs
	AP, AF			V _{OUT} = 50 V, R _L = 1.25 kΩ				
Turn-Off Delay	F	t _{ON}		V _{OUT} = 35 V, R _L = 0.87 kΩ	—	0.5	—	
	AP, AF			V _{OUT} = 50 V, R _L = 1.25 kΩ				

TEST CIRCUIT

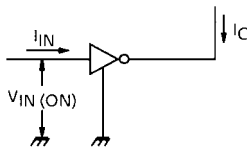
1. I_{CEX}



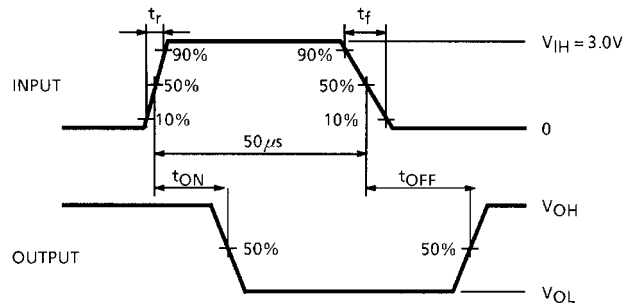
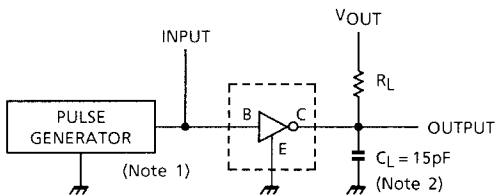
2. h_{FE}, V_{CE} (sat)



3. V_{IN} (ON)



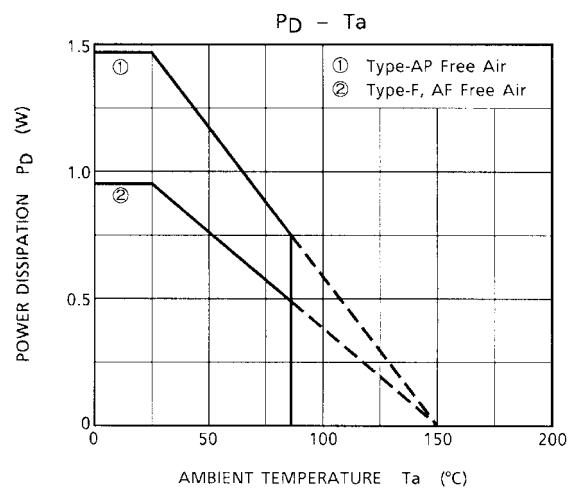
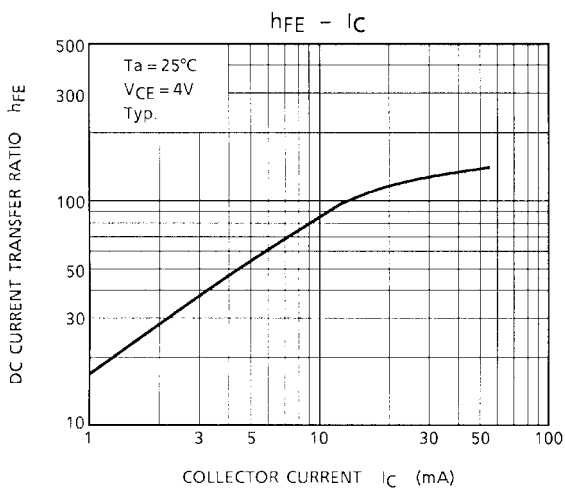
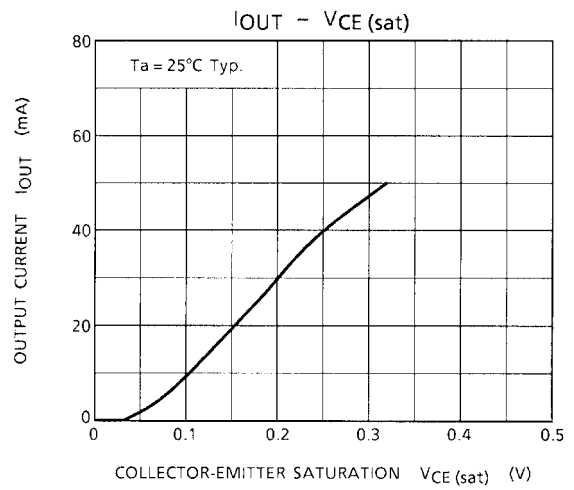
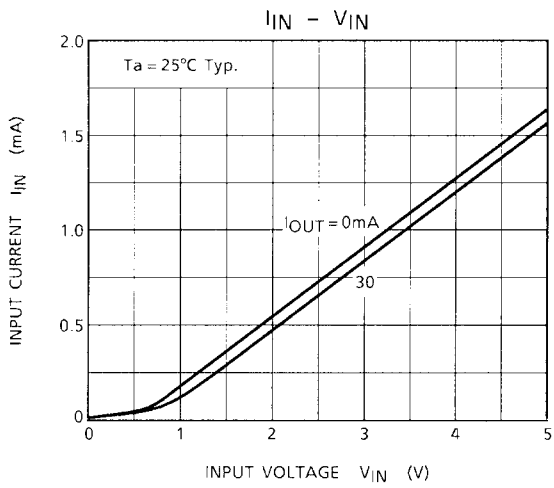
4. t_{ON}, t_{OFF}



Note 1: Pulse width 50 μs, Duty Cycle 10%
 Output Impedance 50 Ω, t_r ≤ 5 ns, t_f ≤ 10 ns
 Note 2: C_L includes probe and jig capacitance.

PRECAUTIONS for USING

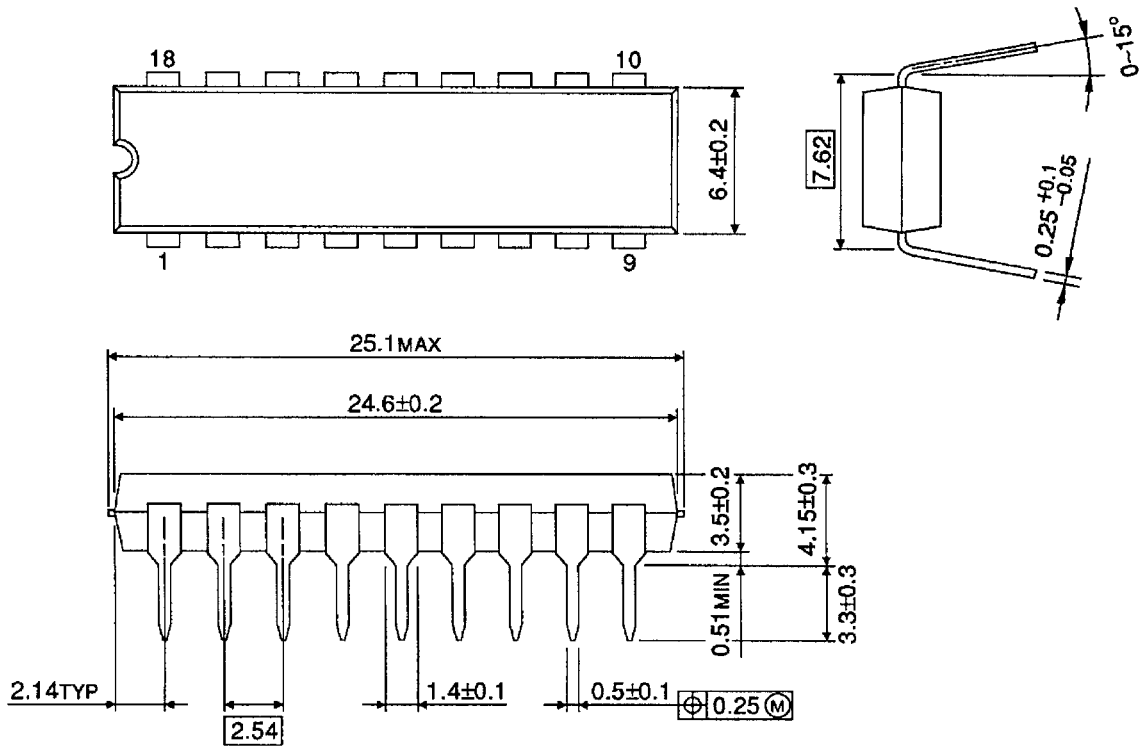
This IC does not integrate protection circuits such as overcurrent and overvoltage protectors. Thus, if excess current or voltage is applied to the IC, the IC may be damaged. Please design the IC so that excess current or voltage will not be applied to the IC. Utmost care is necessary in the design of the output line, VCC and GND line since IC may be destroyed due to short-circuit between outputs, air contamination fault, or fault by improper grounding.



PACKAGE DIMENSIONS

DIP18-P-300-2.54D

Unit: mm

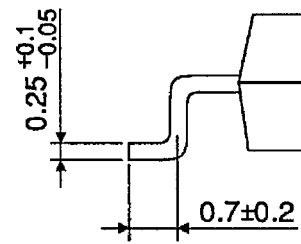
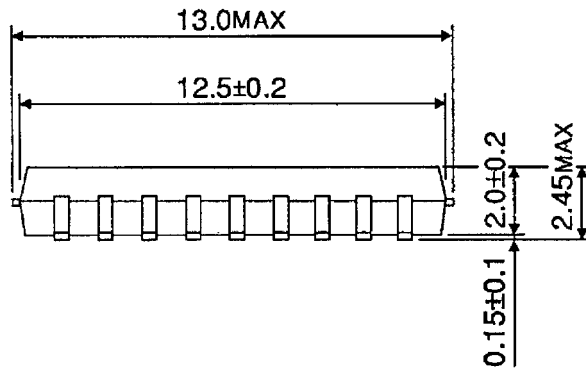
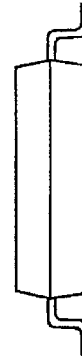
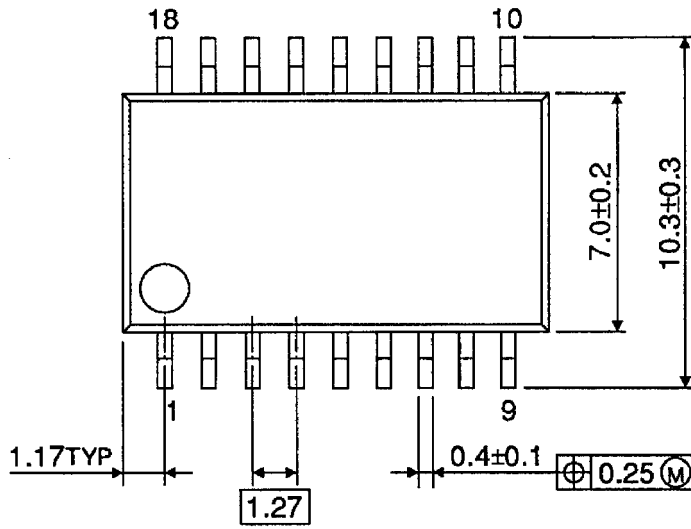


Weight: 1.47 g (Typ.)

PACKAGE DIMENSIONS

SOP18-P-375-1.27

Unit: mm



Weight: 0.41 g (Typ.)

RESTRICTIONS ON PRODUCT USE

000707EBA

- TOSHIBA is continually working to improve the quality and reliability of its products. Nevertheless, semiconductor devices in general can malfunction or fail due to their inherent electrical sensitivity and vulnerability to physical stress. It is the responsibility of the buyer, when utilizing TOSHIBA products, to comply with the standards of safety in making a safe design for the entire system, and to avoid situations in which a malfunction or failure of such TOSHIBA products could cause loss of human life, bodily injury or damage to property.
In developing your designs, please ensure that TOSHIBA products are used within specified operating ranges as set forth in the most recent TOSHIBA products specifications. Also, please keep in mind the precautions and conditions set forth in the "Handling Guide for Semiconductor Devices," or "TOSHIBA Semiconductor Reliability Handbook" etc..
- The TOSHIBA products listed in this document are intended for usage in general electronics applications (computer, personal equipment, office equipment, measuring equipment, industrial robotics, domestic appliances, etc.). These TOSHIBA products are neither intended nor warranted for usage in equipment that requires extraordinarily high quality and/or reliability or a malfunction or failure of which may cause loss of human life or bodily injury ("Unintended Usage"). Unintended Usage include atomic energy control instruments, airplane or spaceship instruments, transportation instruments, traffic signal instruments, combustion control instruments, medical instruments, all types of safety devices, etc.. Unintended Usage of TOSHIBA products listed in this document shall be made at the customer's own risk.
- The products described in this document are subject to the foreign exchange and foreign trade laws.
- The information contained herein is presented only as a guide for the applications of our products. No responsibility is assumed by TOSHIBA CORPORATION for any infringements of intellectual property or other rights of the third parties which may result from its use. No license is granted by implication or otherwise under any intellectual property or other rights of TOSHIBA CORPORATION or others.
- The information contained herein is subject to change without notice.