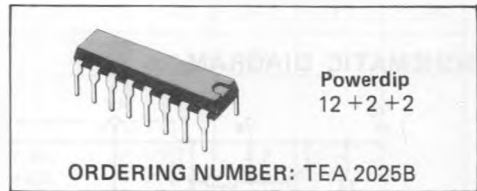
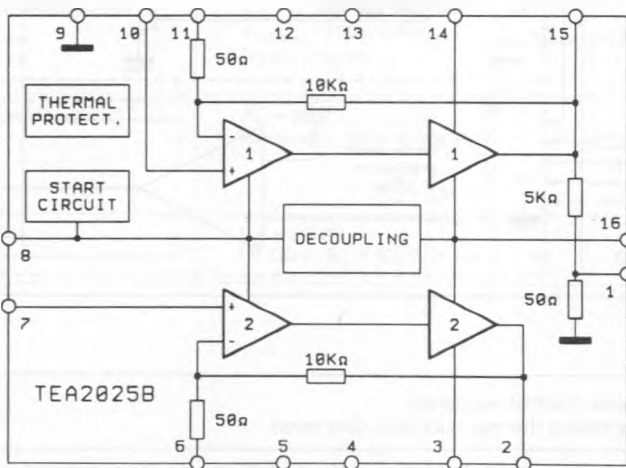


STEREO AUDIO AMPLIFIER

- DUAL OR BRIDGE CONNECTION MODES
- FEW EXTERNAL COMPONENTS
- WORKS WITH LOW SUPPLY VOLTAGE: 3V
- HIGH CHANNEL SEPARATION
- NO SHOCK NOISE WHEN SWITCH ON OR OFF
- MAXIMUM VOLTAGE GAIN OF 45dB (ADJUSTABLE WITH EXTERNAL RESISTOR)
- SOFT CLIPPING
- THERMAL PROTECTION
- $3V \leq V_{CC} \leq 12V$
- $P = 2 \times 1W, V_{CC} = 6V, R_L = 4\Omega$
- $P = 2 \times 2.3W, V_{CC} = 9V, R_L = 4\Omega$
- $P = 2 \times 0.1W, V_{CC} = 3V, R_L = 4\Omega$

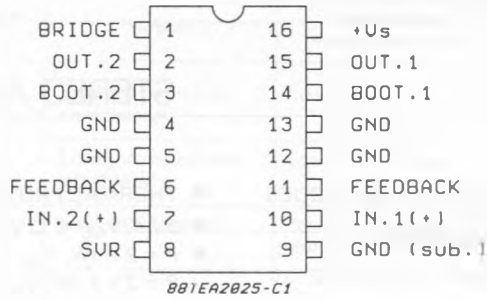

MAXIMUM RATINGS

V_S	Supply voltage	15	V
I_O	Output peak current	1.5	A
T_j	Junction temperature	150	°C
T_{stg}	Storage temperature	-40 to +150	°C

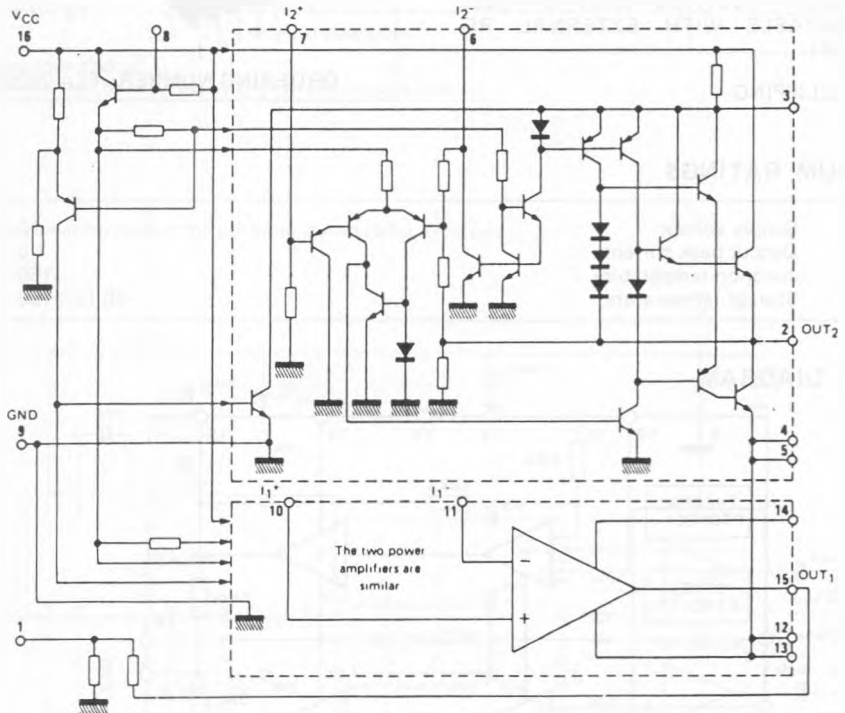
BLOCK DIAGRAM


88TEA2025B-B1

PIN CONNECTION



SCHEMATIC DIAGRAM



THERMAL DATA

$R_{th(j-c)}$	Junction-case thermal resistance	15 °C/W
$R_{th(j-a)}$	Junction-ambient thermal resistance (See note)	60 °C/W

Note: The $R_{th(j-a)}$ is measured on devices bonded on a 10 x 5 x 0.15cm glass-epoxy substrate with a 35µm thick copper surface of 5 cm².

ELECTRICAL CHARACTERISTICS ($T_{amb} = 25^{\circ}\text{C}$, $V_{CC} = 9\text{V}$, Stereo unless otherwise specified)

Parameter	Test Conditions	Min	Typ	Max	Unit
V_S Supply voltage		3	—	12	V
I_Q Quiescent current		—	40	50	mA
V_O Quiescent output voltage		—	4.5	—	V
A_V Voltage gain	Stereo	43	45	47	dB
	Bridge	49	51	53	
ΔA_V Voltage gain difference		—	—	± 1	dB
R_j Input impedance		—	30	—	k Ω
P_O Output power	$f = 1\text{KHz}$; $d = 10\%$ Stereo - per channel				W
	$V_{CC} = 9\text{V}$; $R_L = 4\Omega$	1.7	2.3	—	
	$R_L = 8\Omega$	—	1.3	—	
	$V_{CC} = 6\text{V}$; $R_L = 4\Omega$	0.7	1	—	
	$R_L = 8\Omega$	—	0.6	—	
	$V_{CC} = 3\text{V}$; $R_L = 4\Omega$	—	0.1	—	
Bridge	$V_{CC} = 9\text{V}$; $R_L = 8\Omega$	—	4.7	—	
	$V_{CC} = 6\text{V}$; $R_L = 4\Omega$	—	2.8	—	
d Distortion	$V_{CC} = 9\text{V}$; $R_L = 4\Omega$ $f = 1\text{KHz}$; $P_O = 250\text{mW}$				%
	Stereo	—	0.3	1.5	
	Bridge	—	0.5	—	
SVR Supply voltage rejection	$R_G = 0$, $A_V = 45\text{dB}$, $V_{\text{ripple}} = 150\text{mV RMS}$, $f_{\text{ripple}} = 100\text{Hz}$	40	46	—	dB
V_n Input noise voltage	$A_V = 200$, Bandwidth: 20Hz to 20KHz				μV
	$R_G = 0$	—	1.5	3	
	$R_G = 10\text{k}\Omega$	—	3	6	
CT Cross-talk	$R_G = 10\text{k}\Omega$; $f = 1\text{KHz}$; $R_L = 4\Omega$; $P_O = 1\text{W}$	40	55	—	dB

Fig. 1 - Distortion versus output power

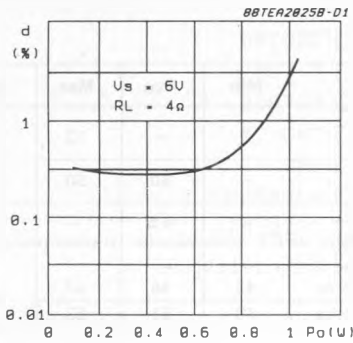


Fig. 2 - Distortion versus output power

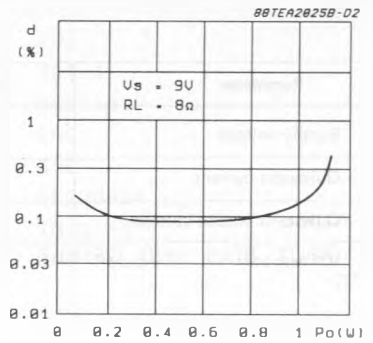


Fig. 3 - Distortion versus output frequency

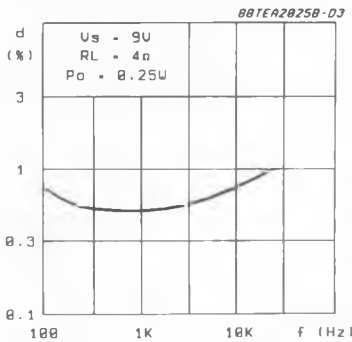


Fig. 4 - Output power/versus supply voltage

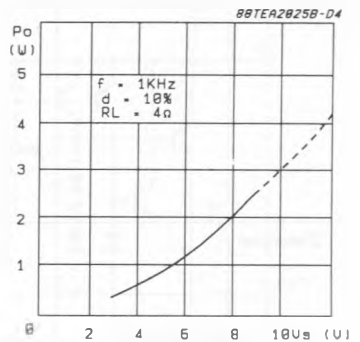


Fig. 5 - Bridge application

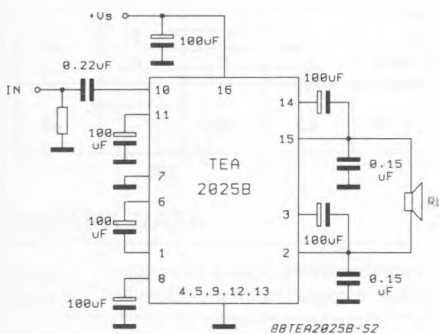


Fig. 6 - Stereo application

