

TG2401F

1.9 GHz Band TX Fronted IC
PHS, Digital Cordless Telecommunication

Features

Common Block

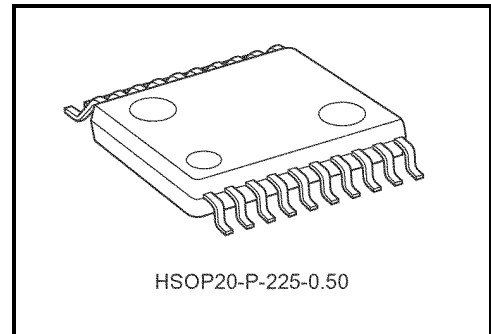
- Positive voltage operation: $V_{DD1} = V_{DD2} = 3.0\text{ V}$,
 $V_{DD3} = V_{DD4} = 3.6\text{ V}$
- Small package: HSOP20 (0.5 mm pin pitch)

Power Amp. Block

- High power Gain: $G_p = 32\text{ dB (min)}$

Antenna Switch Block

- Low insertion Loss: $LOSS = 0.8\text{ dB (typ.)}$
- High isolation: $ISL = 25\text{ dB (typ.)}$



Weight: 0.058 g (typ.)

Maximum Ratings (Ta = 25°C)

Characteristics	Symbol	Rating	Unit
Supply voltage	V_{DD} (Note 1)	5	V
	V_{GG} (Note 2)	4	V
	V_C (Note 3)	3.65	V
Input power	P_i	1	mW
Power dissipation	P_d (Note 4)	4	W
Operating temperature range	T_{opr} (Note 5)	-40 to 85	°C
Storage temperature range	T_{stg}	-55 to 150	°C

Note 1: $V_{DD} = V_{DD1} = V_{DD2} = V_{DD3} = V_{DD4} = V_{DD}$ (SW)

Note 2: $V_{GG} = V_{GG3} = V_{GG4}$

Note 3: $V_C = V_{C1} = V_{C2}$

Note 4: When mounted on a Teflon board (52 mm × 43 mm × 0.4 mm) that is fixed to an aluminum plate.
(Ta = 25°C)

Note 5: Not intended to guarantee the following electrical characteristics, which were measured at Ta = 25°C.

Caution

This device is electrostatic sensitivity. Please handle with caution.

Electrical Characteristics

【Power Amp, Block】

($V_{DD} = V_{DD2} = 3\text{ V}$, $V_{DD3} = V_{DD4} = 3.6\text{ V}$, $V_{GG} = (\text{Note6})$, $f = 1.893\text{ GHz}$, $T_a = 25^\circ\text{C}$, $Z_g = Z_l = 50\ \Omega$)

【ANT-SW Block】

($V_{DD}(\text{SW}) = 3\text{ V}$, $f = 1.893\text{ GHz}$, $T_a = 25^\circ\text{C}$)

Characteristics	Symbol	Test Circuit	Test Condition	Min	Typ.	Max	Unit	
Operating frequency	f	—	—	1.893	—	1.920	GHz	
Supply current (PA)	I_t	—	$P_o = 20.5\text{dBmW}$, $P_i = \text{adjust}$	—	—	170	mA	
Gate current (PA)	I_{GG}	—	$V_{GG} = 2\text{ V}$	—	—	2	mA	
Power gain	G_p	—	$P_o = 20.5\text{dBmW}$	32	—	38	dB	
Output deviation	ΔP_o	—	$f = 1.893, 1.920\text{ GHz}$, $P_i = \text{fixed}$	—	0.5	1.0	dB	
Input VSWR	VSWR _{in}	—	$P_i = -30\text{dBmW}$	—	—	3.0	—	
Adjacent channel leakage power ratio	ACP (1)	—	$P_o = 20.5\text{dBmW}$, $P_i = \text{adjust}$	$\Delta f = 600\text{ kHz}$	—	—	-55	dB
	ACP (2)	—		$\Delta f = 900\text{ kHz}$	—	—	-60	dB
Harmonics	2f ₀	—	$P_o = 20.5\text{dBmW}$, $P_i = \text{adjust}$	—	—	-30	dB	
	3f ₀	—		—	—	-30	dB	
Load mismatch	—	—	$V_{DD3,4} = 4.2\text{ V}$, $V_{GG} = \text{adjust}$, $P_o = 20.5\text{dBmW}$, $P_i = \text{adjust}$, $Z_g = 50\ \Omega$ VSWR Load = 6:1 all phase	No degradation			—	
Stability	—	—	$V_{DD3,4} = 3.2\text{--}4.2\text{ V}$, $V_{C1} = 3\text{ V}$, $V_{GG} = \text{adjust}$, $P_i = -15\text{dBmW}$ to -10dBmW , $Z_g = 50\ \Omega$ VSWR Load = 6:1 all phase	No spurious			—	
Supply current (SW)	I_{DD}	TX	$V_{C1} = 3\text{ V}$, $V_{C2} = 0\text{ V}$	—	—	0.04	mA	
		RX	$V_{C1} = 0\text{ V}$, $V_{C2} = 3\text{ V}$	—	—	0.04	mA	
Control current (SW)	I_{rx}	TX	$V_{C1} = 3\text{ V}$, $V_{C2} = 0\text{ V}$	—	—	0.04	mA	
		RX	$V_{C1} = 0\text{ V}$, $V_{C2} = 3\text{ V}$	—	—	0.04	mA	
Insertion Loss	LOSS	RX	$V_{C1} = 0\text{ V}$, $V_{C2} = 3\text{ V}$, $P_i(\text{SW}) = 0\text{dBmW}$	—	0.8	1.0	dB	
Isolation	ISL	TX	$V_{C1} = 3\text{ V}$, $V_{C2} = 0\text{ V}$, $P_o = 20.5\text{dBmW}$	20	25	—	dB	
		RX	$V_{C1} = 0\text{ V}$, $V_{C2} = 3\text{ V}$, $P_i(\text{SW}) = 0\text{dBmW}$	10	15	—	dB	

- (1) The P_o in this technical data includes insertion Loss for ANT-SW.
- (2) Stability's load condition is that SHORT STAB join to ANT (Pin No.11) and all phase.
- (3) All test for ELECTRICAL CHARACTERISTICS bases on measure with following "RF TES BOARD".
- (4) Control current is separated by TX and RX mode. TX control current is I_{rx} , RX control current is I_{tx} .
- (5) Operation mode

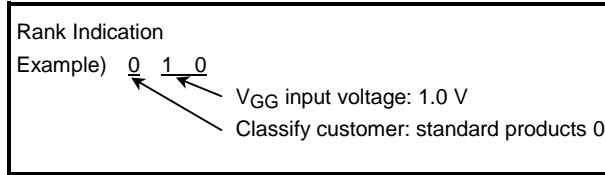
	RX Mode	TX Mode
V_{C1}	$0 \pm 0.2\text{ V}$	$3 + 0.4\text{ V}$ $3 - 0.2\text{ V}$
V_{C2}	$3 + 0.4\text{ V}$ $3 - 0.2\text{ V}$	$0 \pm 0.2\text{ V}$

$V_{DD}(\text{SW}) = 3 \pm 0.05\text{ V}$

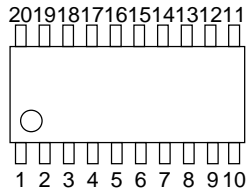
- (6) Input signal is modulated to $\pi/4\text{QPSK}$ ($\alpha = 0.5$). Bit rate is 384 kbps.
- (7) 1/2 duty operation.

Note 6: Classify V_{GG} Rank (UNDECIDED)

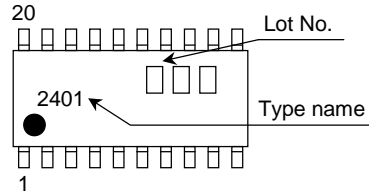
Rank	V _{GG} Condition
000	0 V
010	1 V
020	2 V
030	2.8 V



Pin Assignment (top view)

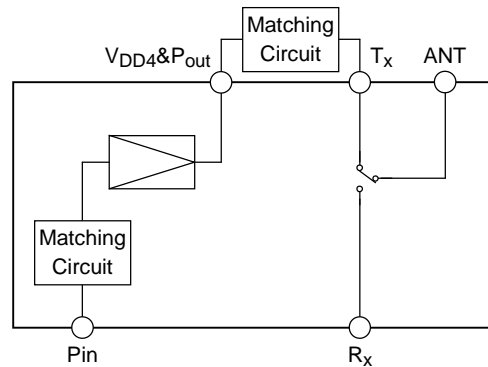


Marking

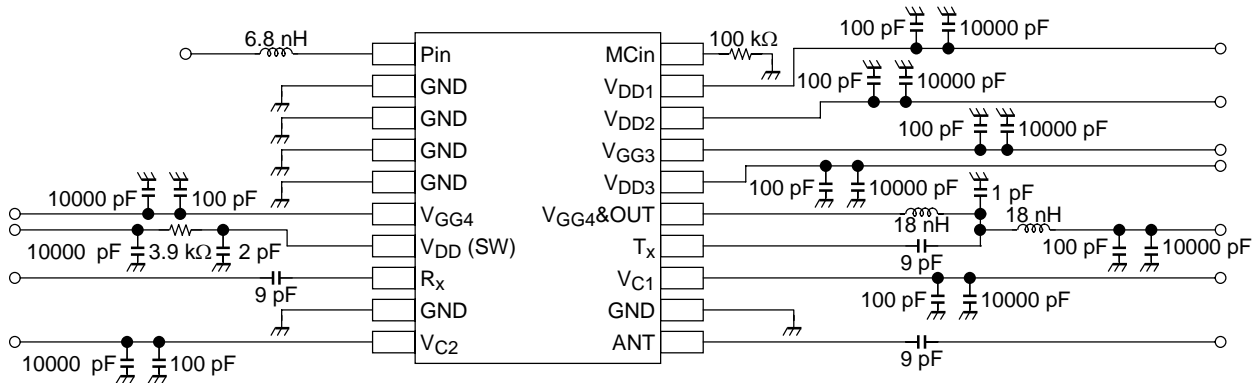


Pin No.	Assign	Pin No.	Assign
1	Pin	11	ANT
2	GND	12	GND
3	GND	13	V _{C1}
4	GND	14	T _x
5	GND	15	V _{DD4} &P _{out}
6	V _{GG4}	16	V _{DD3}
7	V _{DD} (SW)	17	V _{GG3}
8	R _x	18	V _{DD2}
9	GND	19	V _{DD1}
10	V _{C2}	20	MCin

Equivalent Circuit



Test Circuit



Caution

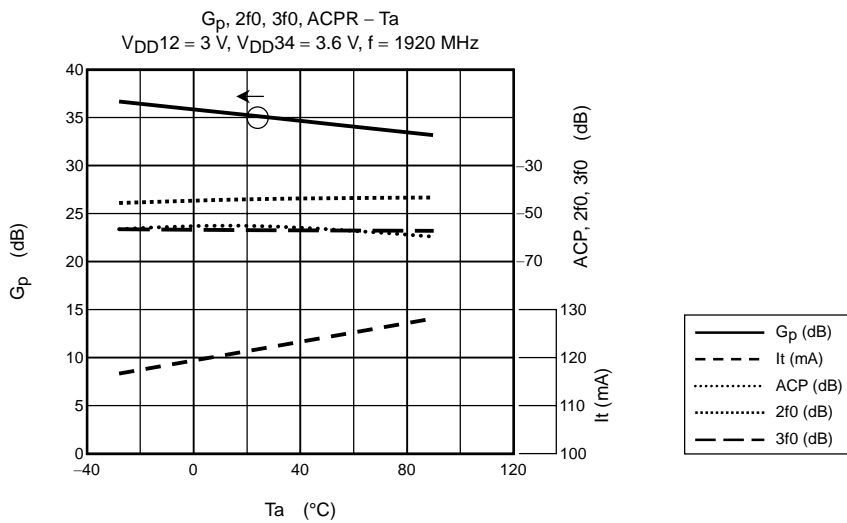
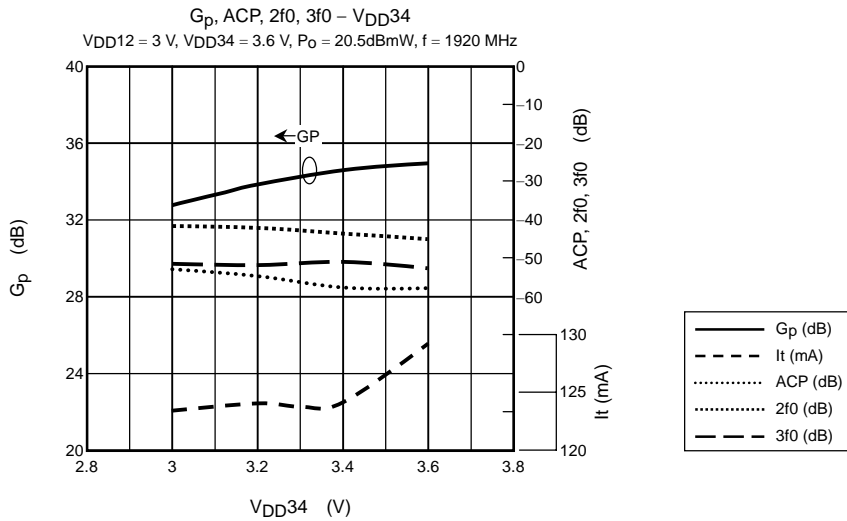
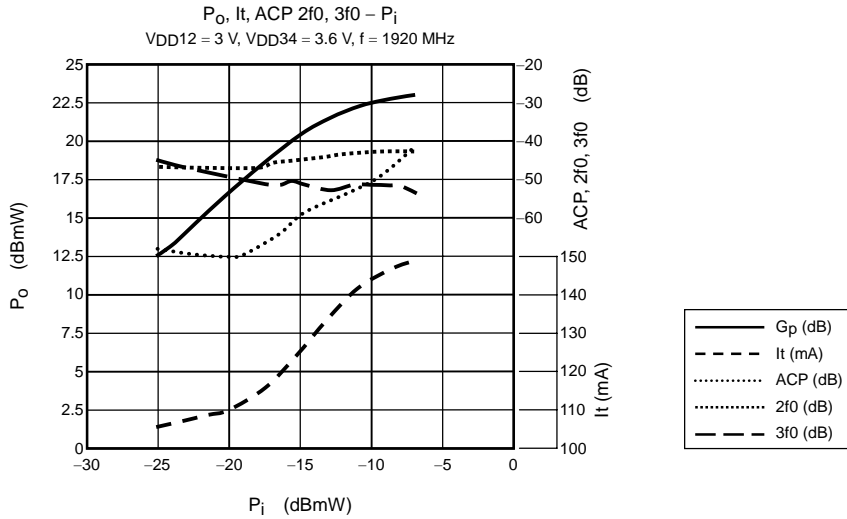
The circuits and measurements contained in this document are given only in the context of as examples of applications for these products.

Moreover, these example application circuits are not intended for mass production, since the high-frequency characteristics (the AC characteristics) of these devices will be affected by the external components which the customer uses, by the design of the circuit and by various other conditions.

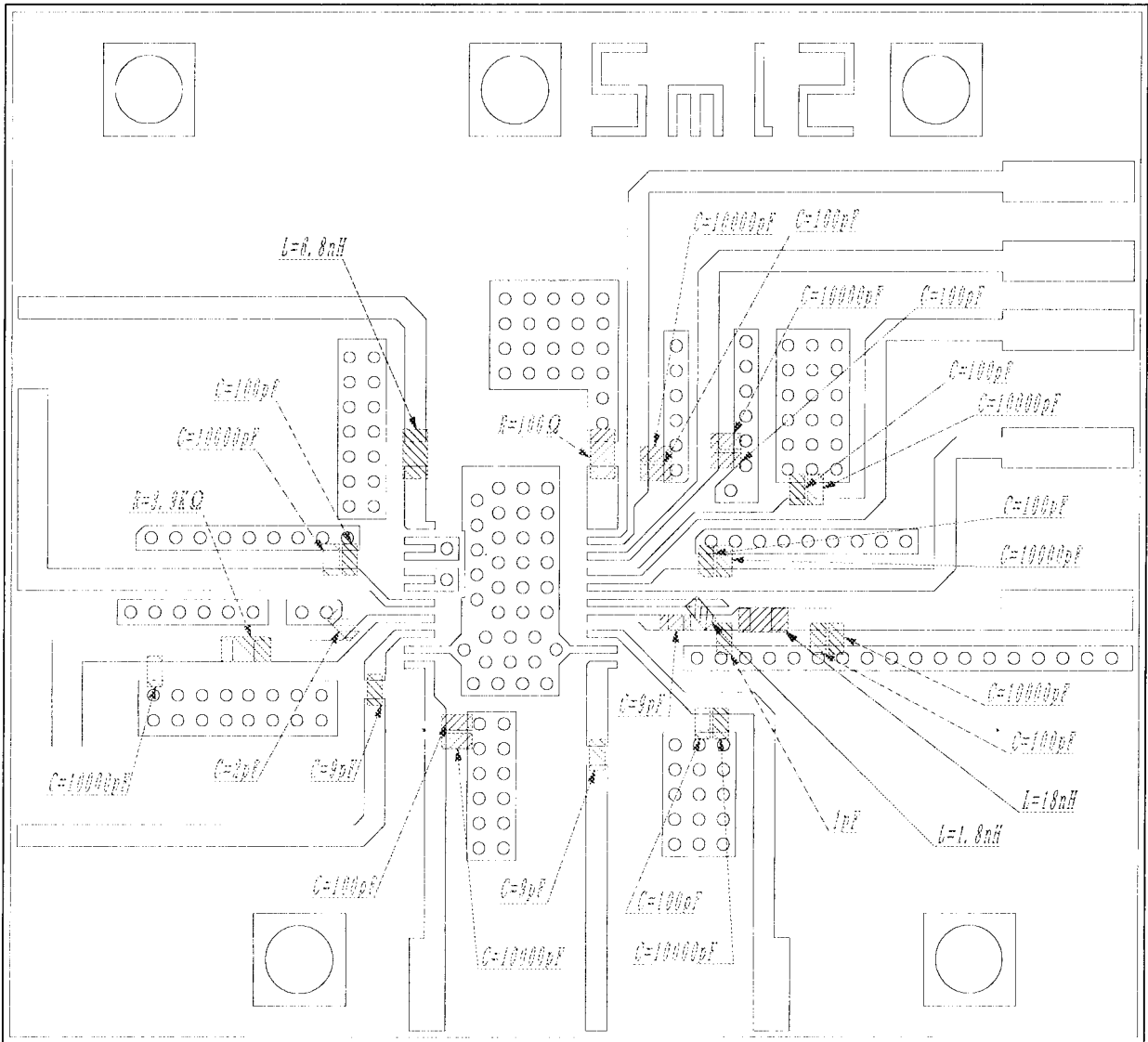
It is the responsibility of the customer to design external circuits which correctly implement the intended application, and to check the characteristics of the design.

TOSHIBA assume no responsibility for the integrity of customer circuit designs or applications.

Curve Data



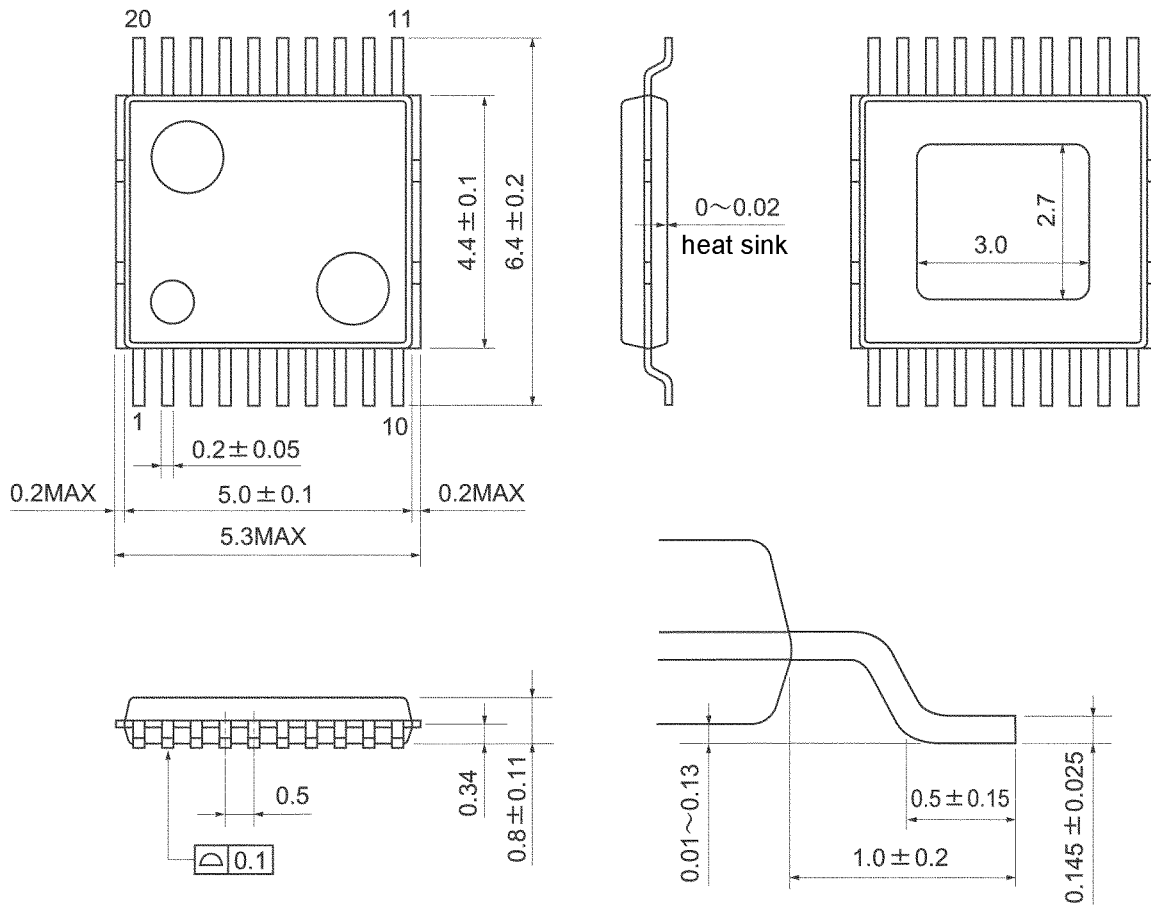
RF Test Board



Package Dimensions

HSOP20-P-225-0.50

Unit: mm



Weight: 0.058 g (typ.)

RESTRICTIONS ON PRODUCT USE

020704EAC

- TOSHIBA is continually working to improve the quality and reliability of its products. Nevertheless, semiconductor devices in general can malfunction or fail due to their inherent electrical sensitivity and vulnerability to physical stress. It is the responsibility of the buyer, when utilizing TOSHIBA products, to comply with the standards of safety in making a safe design for the entire system, and to avoid situations in which a malfunction or failure of such TOSHIBA products could cause loss of human life, bodily injury or damage to property.
In developing your designs, please ensure that TOSHIBA products are used within specified operating ranges as set forth in the most recent TOSHIBA products specifications. Also, please keep in mind the precautions and conditions set forth in the "Handling Guide for Semiconductor Devices," or "TOSHIBA Semiconductor Reliability Handbook" etc..
- The TOSHIBA products listed in this document are intended for usage in general electronics applications (computer, personal equipment, office equipment, measuring equipment, industrial robotics, domestic appliances, etc.). These TOSHIBA products are neither intended nor warranted for usage in equipment that requires extraordinarily high quality and/or reliability or a malfunction or failure of which may cause loss of human life or bodily injury ("Unintended Usage"). Unintended Usage include atomic energy control instruments, airplane or spaceship instruments, transportation instruments, traffic signal instruments, combustion control instruments, medical instruments, all types of safety devices, etc.. Unintended Usage of TOSHIBA products listed in this document shall be made at the customer's own risk.
- Gallium Arsenide (GaAs) is a substance used in the products described in this document. GaAs dust or vapor is harmful to the human body. Do not break , cut, crush or dissolve chemically.
- The information contained herein is presented only as a guide for the applications of our products. No responsibility is assumed by TOSHIBA CORPORATION for any infringements of intellectual property or other rights of the third parties which may result from its use. No license is granted by implication or otherwise under any intellectual property or other rights of TOSHIBA CORPORATION or others.
- The information contained herein is subject to change without notice.