

# Product Information

**NEW**

## Video Line Driver IC with Clamp TK15405BM / TK15417BM

### DESCRIPTION

The TK15405BM and the TK15417BM is 75Ω video line driver ICs with clamp circuit. The voltage gain  $G_V$  of TK15405BM is 6dB and TK15417BM is 12dB.

### FEATURES

- Internal Clamp Circuit
- SAG Correcting Function
- On/off Control (Low-off; Standby Function)
- Very Small Package SOT23-6

### APPLICATIONS

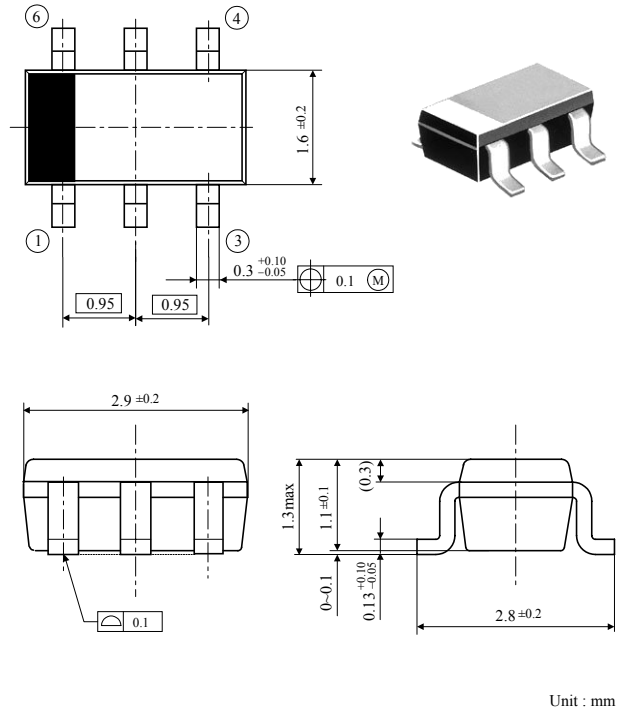
- The Video Systems
  - DSC(Digital Still Camera),
  - CCD Observation Camera, DVD Player/Rewriter
  - TV Monitor, LCD Projector, Video Board,
  - Video Recorder/Player/Camcorder,
  - Portable Video Equipment etc.

### ELECTRICAL CHARACTERISTICS

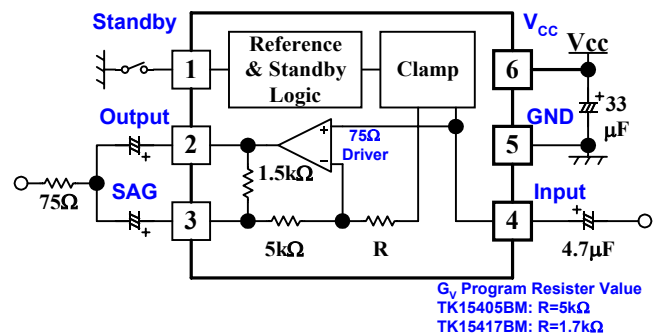
Parameter	Symbol	Value(TYP)		Unit
		15405	15417	
Operating Voltage Range	$V_{OP}$	4.5~10.0		V
Operating Temp. Range	$T_{OP}$	-25~+75		°C
Supply Current	$I_{CC}$	7.5		mA
Stand-by Supply Current	$I_{CCS}$	22	12	μA
Clamp Voltage	$V_{CMP}$	1.22		V
Voltage Gain	$G_V$	6.0	12.0	dB
Differential Gain	DG	-3.0~+3.0		%
Differential Phase	DP	-3.0~+3.0		dB
Frequency response	$f_r$	-0.1 ( $f_{in}=1\text{MHz}/5\text{MHz}$ )		dB

### PACKAGE OUTLINE

- SOT23-6



### BLOCK DIAGRAM



⚠ Note that the contents are subject to change or discontinuation without notice. When placing orders, please confirm specifications and delivery condition in writing.

## 改訂記録

年月日	REV	製品ステータス	内容			作成
2002・03・13	0	目標仕様 TARGET SPEC	新規制定(目標仕様書DD3-0017/8発行) <ul style="list-style-type: none"> <li>• TK15405BM: DD3-0017</li> <li>• TK15417BM: DD3-0018</li> </ul> * A版フェイルによるTDI再移管			
2002・07・12	1	開発中 UNDER DEVELOPMENT	ステータス変更 <ul style="list-style-type: none"> <li>• ローオフを追加</li> <li>• 動作温度範囲を-25~+85から-25~+75に変更</li> <li>• 周波数特性を-0.5から-0.1に変更</li> </ul>			
2003・01・10	2	新製品 NEW				石田
		(表記なし)	試作完了認定後1年経過 <ul style="list-style-type: none"> <li>•</li> </ul>			