

## Video Line Driver IC with LPF & Y-C Summing Circuit TK15443/5/7L

### DESCRIPTION

The TK15443/5/7L are 75Ω video line driver ICs with LPF and Y-C summing circuit. The voltage gain  $G_V$  is selectable from below:

TK15443L	: $G_V=9\text{dB}$
TK15445L	: $G_V=6\text{dB}$
TK15447L	: $G_V=12\text{dB}$

With internal frequency trap terminal, clock frequency of D/A converter can be eliminated.

### FEATURES

- Y-C Summing Circuit
- 4th Arm LPF
- Frequency Trap Terminal
- Selectable Voltage Gain;  $G_V=6/9/12\text{dB}$
- Active High On/Off Control (Stand-by Function)

### APPLICATIONS

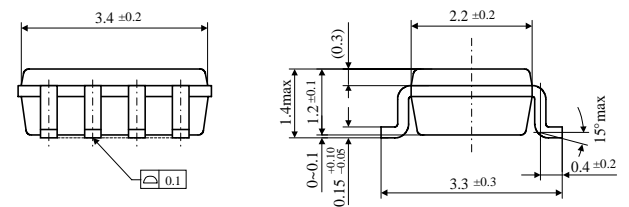
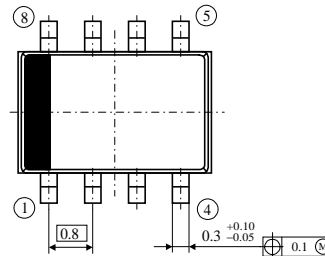
- The Video Systems  
DSC(Digital Still Camera),  
CCD Observation Camera, DVD Player/Rewriter  
TV Monitor, LCD Projector, Video Board,  
Video Recorder/Player/Camcorder,  
Portable Video Equipment etc.

### ELECTRICAL CHARACTERISTICS

Parameter	Symbol	Value(TYP)			Unit
		15443	15445	15447	
Operating Voltage Range	$V_{OP}$	4.5~10.0			V
Operating Temp. Range	$T_{OP}$	-25~+75			°C
Input Frequency	$f_{MAX}$	~100			MHz
Supply Current	$I_{CC}$	27.0			mA
Standby Supply Current	$I_{CCS}$	27.0			μA
Clamp Voltage	$V_{CMP}$	1.20			V
Bias Voltage	$V_{BIAS}$	1.90			V
Voltage Gain	$G_V$	9.0	6.2	12.1	dB
Differential Gain	DG	-3.0~+3.0			%
Differential Phase	DP	-3.0~+3.0			°C
Frequency Response	fr1	-0.2			dB

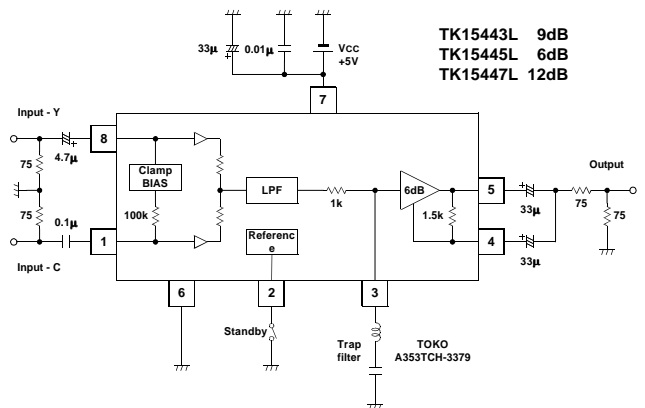
### PACKAGE OUTLINE

#### ■ SOT23L-8



Unit : mm

### BLOCK DIAGRAM



⚠ Note that the contents are subject to change or discontinuation without notice. When placing orders, please confirm specifications and delivery condition in writing.