

**UNDER
DEVELOPMENT**

3.3V Operation Video Line Driver IC with Internal LPF **TK15460L**

Description

TK15460L are 3.3V operation 75Ω video line driver IC. As it contains L.P.F. and frequency trap filter terminal, it can eliminate clock frequency of reconstruction DAC. The gain of TK15460L is fixed to 6dB. Stand-by and SAG correcting function are included. As this IC operates under single power supply system, it is suitable for portable equipment.

Electrical Characteristics

$V_{CC}=3.3V$, $T_a=25^{\circ}C$, $V_{in}=1.0V_{p-p}$, $R_L=150\Omega$

Parameter	Symbol	Value(TYP)	Units
Operating Voltage Range	V_{OP}	+2.8 ~ 10.0	V
Supply Current	I_{CC}	15.0	mA
Stand by Current	I_{CCS}	40	μA
Clamp Voltage	V_{cmp}	1.3	V
Voltage Gain	G_V	6.0	dB
Differential Gain	DG	-3.0 ~ +3.0	%
Differential Phase	DP	-3.0 ~ +3.0	deg
Frequency Response ($f_{in}=10MHz/1MHz$)	fr	-10	dB

Feature

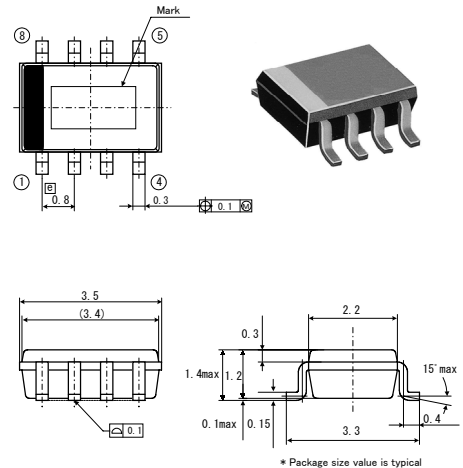
- Internal fourth arm L.P.F.
- Internal 75Ω video line driver.
- Voltage gain is 6dB
- Internal SAG correcting function.
- Operating Voltage Range $V_{CC}=+2.8V$ to $+10.0V$
- Small Package SOT23L-8

Applications

- Video Movie
- Digital Still Camera
- CCD Observation Camera
- Any equipment which has Video Signal Output Pin

Package Outline

- SOT23L-8



BLOCK DIAGRAM

