

**UNDER
DEVELOPMENT**

3.3V Operation Video Line Driver IC with Internal LPF **TK15462L**

Description

TK15462L are 3.3V operation 75Ω video line driver IC. As it contains L.P.F. and frequency trap filter terminal, it can eliminate clock frequency of reconstruction DAC. The gain of TK15462L is fixed to 12dB. Stand-by and SAG correcting function are included. As this IC operates under single power supply system, it is suitable for portable equipment.

Electrical Characteristics

V_{CC}=3.3V, T_a=25°C, V_{in}=0.5V_{p-p}, R_L=150Ω

Parameter	Symbol	Value(TYP)	Units
Operating Voltage Range	V _{OP}	+2.8 ~ 10.0	V
Supply Current	I _{CC}	18.0	mA
Stand by Current	I _{CCS}	40	μA
Clamp Voltage	V _{cmp}	1.3	V
Voltage Gain	G _V	12.0	dB
Differential Gain	DG	-5.0 ~ +5.0	%
Differential Phase	DP	-5.0 ~ +5.0	deg
Frequency Response (f _{in} =10MHz/1MHz)	f _r	-5	dB

Feature

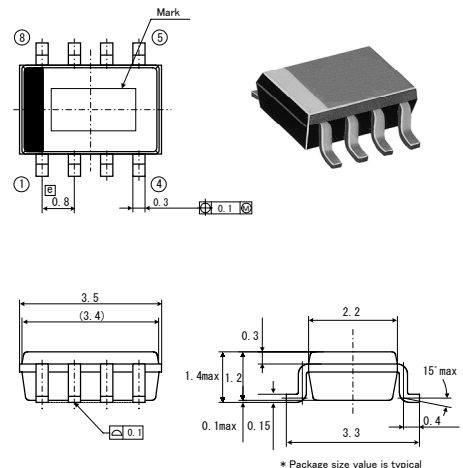
- Internal fourth arm L.P.F.
- Internal 75Ω video line driver.
- Voltage gain is 12dB
- Internal SAG correcting function.
- Operating Voltage Range V_{CC}=+2.8V to +10.0V
- Small Package SOT23L-8

Applications

- Video Movie
- Digital Still Camera
- CCD Observation Camera
- Any equipment which has Video Signal Output Pin

Package Outline: SOT23L-8

- SOT23L-8



BLOCK DIAGRAM

