

NEW

3.3V Operation 75Ω Video Line Driver IC with LPF TK15463L

DESCRIPTION

The TK15463L is a 75Ω video line driver IC, which operates from 2.8V. Its voltage gain is 6dB and includes Y-C mixer and LPF circuit.

It can output 2.4V_{p-p} at V_{CC}=3.3V. Therefore, it is useful for less power dissipation. Built-in stand-by circuit can reduce supply current at stand-by mode.

FEATURES

- Low Voltage Operation: V_{OP}=2.8~10.0V
- Low Supply Current: I_{CC}=20.0mA
- Internal 75Ω Driver
- Fixed Voltage Gain: 6dB
- Built-in Y-C mixer
- Built in LPF
- Built-in Stand-by Circuit
- Very Small Outline Package: SOT23L-8

APPLICATIONS

- Digital Still Camera
- Video Camera Recorder
- Portable Video Equipment Operating Low Voltage

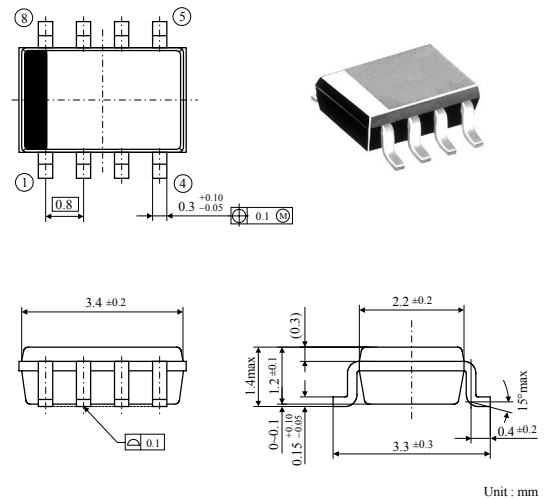
ELECTRICAL CHARACTERISTICS

V_{CC}=3.3V, T_a=25°C, V_{in}=1.0V_{p-p}, R_L=150Ω

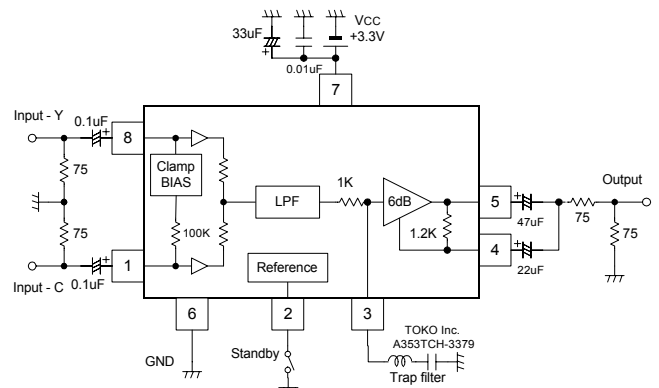
Parameter	Symbol	Value (TYP)	Unit
Operating Voltage Range	V _{CC}	+2.8~10.0	V
Supply Current	I _{CC}	20.0	mA
Stand-by Current	I _{CCS}	45.0	μA
Clamp Voltage	V _{CM} P	1.3	V
Bias Voltage	V _{BIAS}	1.7	V
Voltage Gain	G _V	6.0	dB
Differential Gain	DG	-3.0 ~ +3.0	%
Differential Phase	DP	-3.0 ~ +3.0	deg
Frequency Response 1	fr1	-0.4 Y _{in} =5MHz/1MHz	dB
Frequency Response 2	fr2	-4.6 Y _{in} =10MHz/1MHz	dB

PACKAGE OUTLINE

■ SOT23L-8




BLOCK DIAGRAM



⚠ Note that the contents are subject to change or discontinuation without notice. When placing orders, please confirm specifications and delivery condition in writing.

半導体製品情報

改訂記録

年月日	REV	製品ステータス	内容			作成
	0	目標仕様 TARGET SPEC	新規制定(目標仕様書DD3-????発行) •			
		開発中 UNDER DEVELOPMENT	•			
2002.10.7		新製品 NEW	試作完了審査会認定(認定日: 2002/10/7) •			
		(表記なし)	試作完了認定後1年経過 •			